

MYNE™

Planning Guide + Price List

QUICK LINKS

[PLANNING GUIDE](#)

[MYNE IN PRICING](#)

[MYNE OUT PRICING](#)

[GENERAL INFORMATION](#)

[FINISH INFORMATION](#)

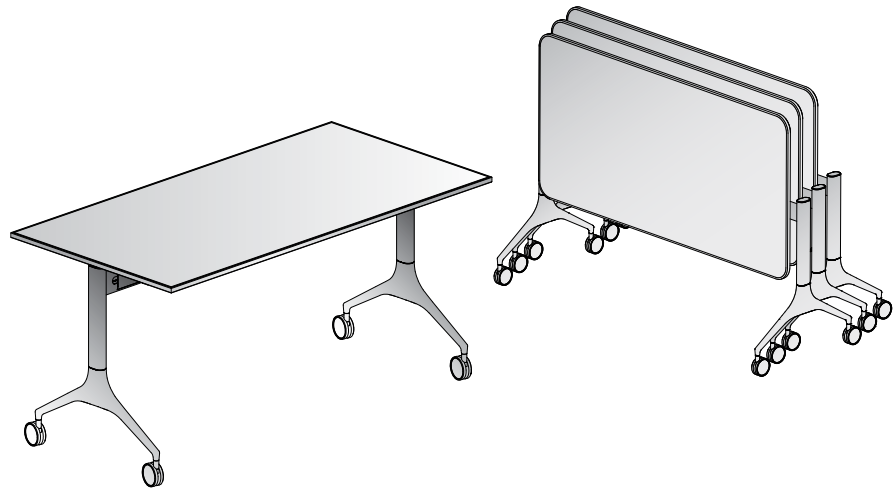
[SURFACE MATERIALS](#)



TABLE OF CONTENTS

Click the shortcuts below to jump to each section.

General Information	ii-iii
Finish Information	iv-v
Surface Materials	vi-vii
Statement of Line	3
Specification Overview	4
Planning Guide	5-15
MYNE IN	
Detail Overview	5
Dimensions	6
Technology Accommodation	7-9
Configuration Examples	10
Pricing	16-19
MYNE OUT	
Detail Overview	11
Dimensions	12
Technology Accommodation	13
Configuration Examples	14
Pricing	20-21
MYNE ACCESSORIES	
Freestanding Power Option	15
Pricing	22-23





STATEMENT OF LINE

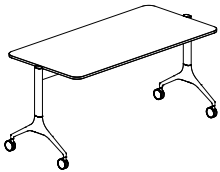
MYNE IN TABLES

Pages 16-19



MYNE OUT TABLES

Pages 20-21





SPECIFICATION OVERVIEW

MYNE TABLES

1. Determine the Application

Myne tables are offered in two table styles: IN and OUT. Myne IN tables have a rectangle top and edge mount legs allowing multiple tables to be ganged together. Myne OUT tables have a radius rectangle top and outset legs that do not gang allowing multiple tables the additional flexibility of quick reconfigurations.

2. Select the Top Surface Material

Choose between standard veneer with hardwood edge, laminates with matching woodgrain, ABS, or birch edge, and linoleum with birch and ABS edge options.

3. Establish the Footprint

Myne tables are available in several sizes. T-base allows user to sit on either side. Myne OUT tables with optional Partition offer the flexibility to be used as individual tables or a multitude of creative configurations. Myne IN tables with optional Modesty can be configured into rows, U-shape configurations or be ganged together in a conference configuration.

4. Select the Base Finish

Myne tables are available with two T-leg base options; IN or OUT and require a powder coat paint for foot, crossbeam, and vertical metal components. Polished chrome option is available for foot and casters.

5. Select Power Option (if desired)

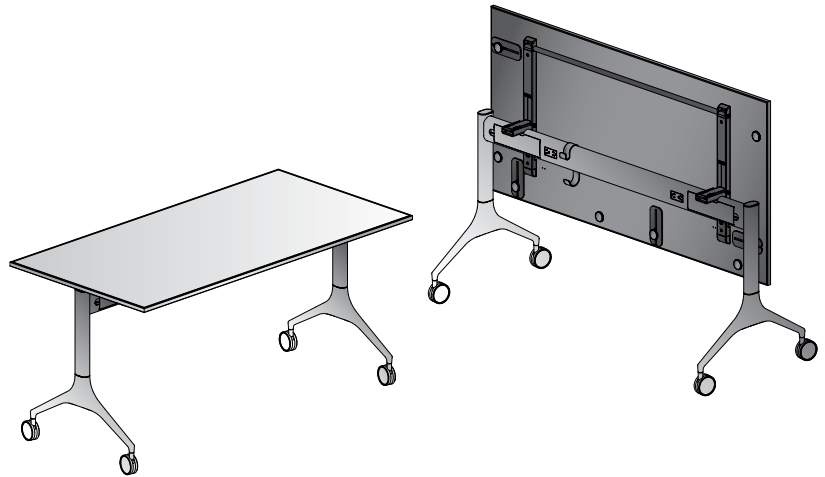
Myne IN table top options for power include Power Spec, USB Spec, and Power Port. A robust Power Beam option is available for under-surface and single in-feed power solutions. Myne OUT options include the power and charging cap located on the top of the outset leg offering a corded solution.



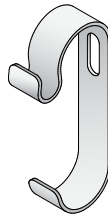
MYNE IN DETAIL OVERVIEW

MYNE IN

- 3/4"-thick rectangle tops
- Square edge with slight chamfer on top and bottom
- Edge mount T-leg is set just inside each end for maximum leg space. Legs are centered allowing users to be seated along either side.
- Tables are standard with a low-profile flip-mechanism with release bar for ease of mobility and compact storage
- Table top power options and Power Beam for under surface power and single in-feed power available on all Myne IN tables (see Myne IN Technology Accommodations)
- Tables are standard with four locking casters
- Convenient J-hook, placed anywhere on center beam, for handbags and quick coiling of wires for ease of mobility and storage



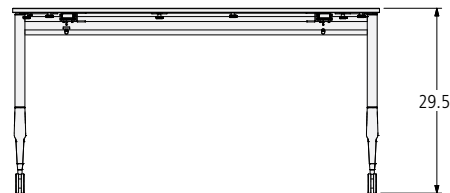
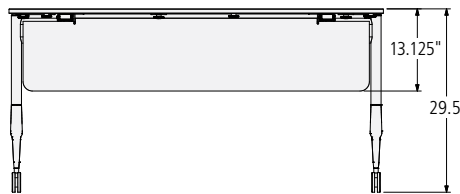
J-Hook



MODESTY PANEL

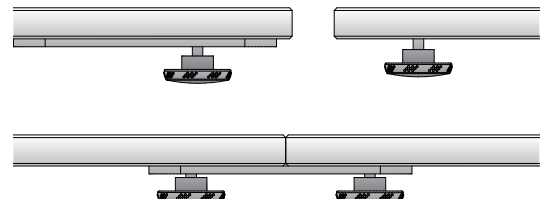
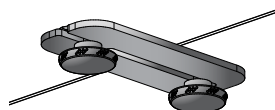
- The optional modesty panel is hinged, allowing it to swivel when the top is flipped up
- Material options:
 - Choose between standard metal finish or match surface material: veneer with hardwood edge, laminates with matching wood grain, ABS, or birch edge, and linoleum with ABS and birch edge options
- Metal Modesty panel is 3/16"-thick
- Non-metal modesty panels are 1/2"-thick

With Modesty Panel



GANGING CONNECTORS

- Optional on all Myne IN tables
- Allows ganging end-to-end, front-to-front and front-to-end
- Ganging connectors required when jumping modular power from table to table

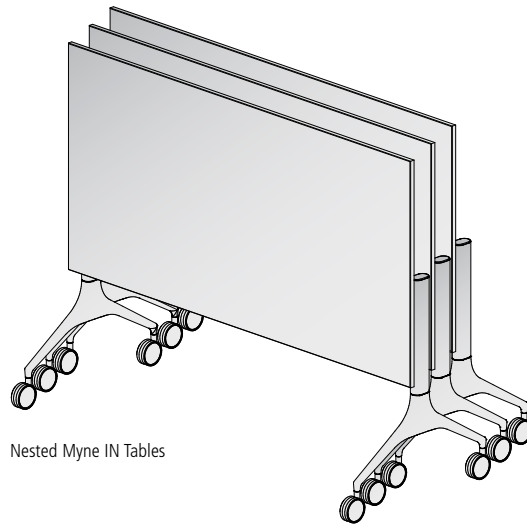




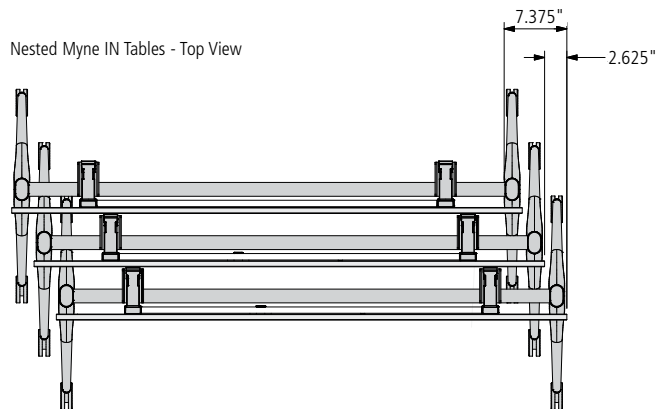
MYNE IN DIMENSIONS

NESTING

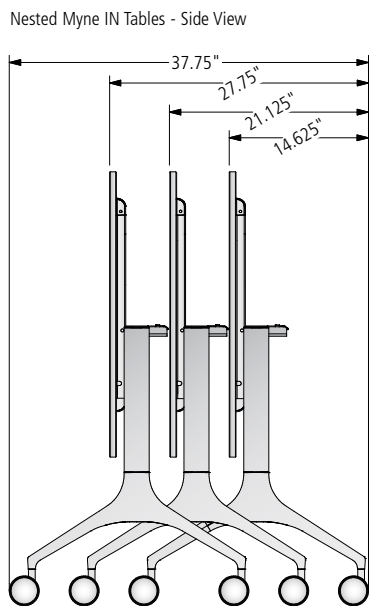
- Cross Bar provides one-handed operation to flip the table top upward for dense storage when tables are not in use
- Safety catch allows top to remain in up position for moving and storage
- Nesting tables feature an offset nest; see illustrations to determine the dimensions of the tables while nested.



Nested Myne IN Tables



Nested Myne IN Tables - Top View



Nested Myne IN Tables - Side View

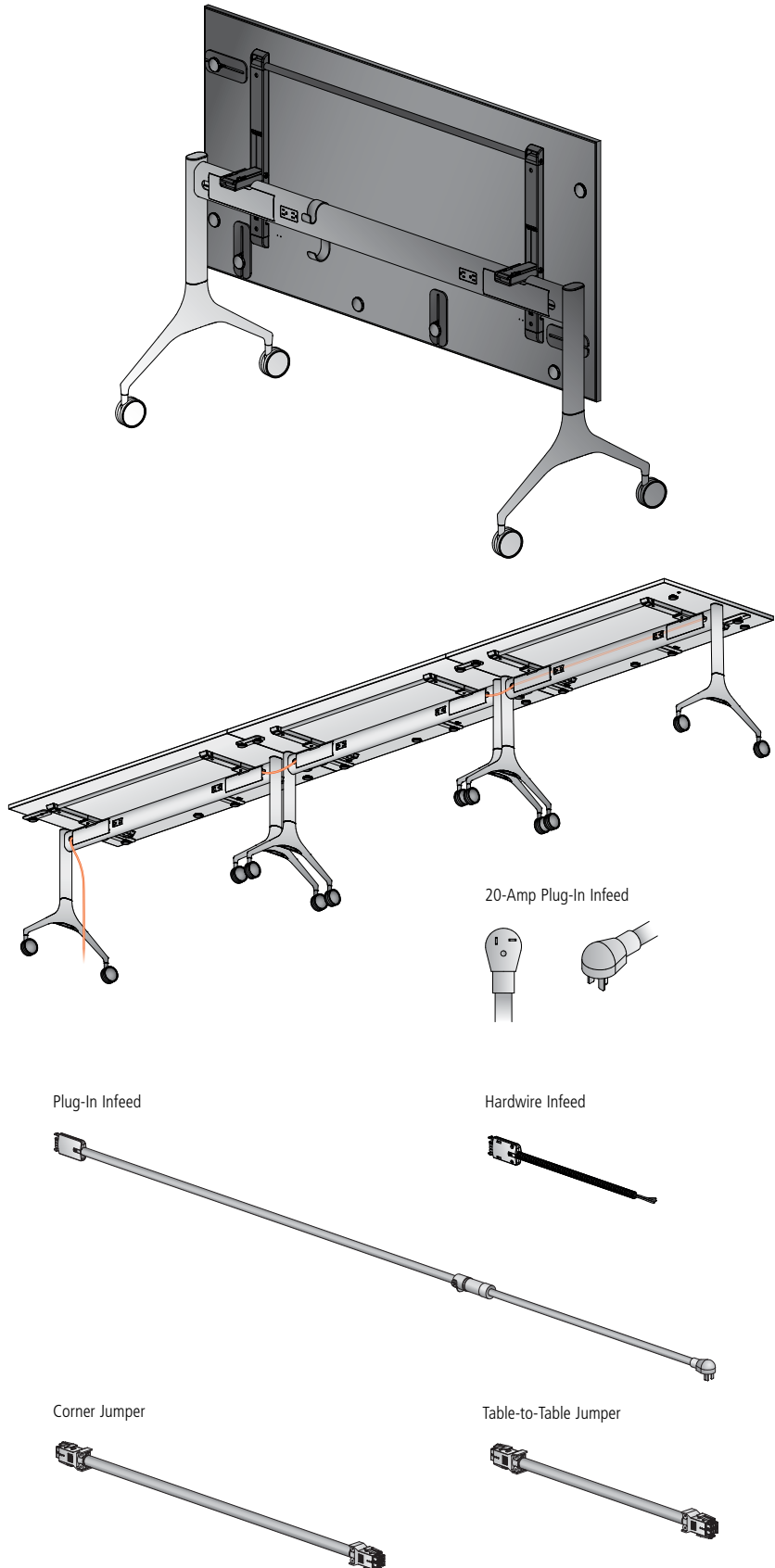


MYNE IN UNDER SURFACE POWER OPTIONS

POWER BEAM

The optional Power Beam is a robust under surface power solution for those who do not want connectivity to occur on the table top. Power Beam can also be used as a means of supplying power to table top power options.

- Two-Circuit Modular Power System, 4-wire, 20 amps
- Transfers power between adjacent table from a single point of entry
- Hardwired or direct plug infeed options (power in-feeds must be ordered separately)
- Available in two options: one USB-A+C and one dual receptacle or two dual receptacles only
- Each table includes one jumper to connect to adjacent table
- Power connectivity options per table:
 - Two duplex receptacles
 - One duplex receptacle and one USB-A+C charger (2-amps per port)
- All components, except the direct plug infeed, are UL and cULus listed and meet NEC requirements; the direct plug infeed is not UL listed but does meet NEC standards





MYNE IN TABLE TOP POWER OPTIONS

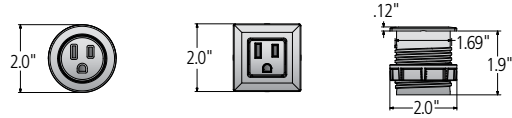
POWER SPEC AND USB SPEC

This compact unit allows for the addition of power to a work surface in a discreet way. Available in round or square shapes, and multiple finish options.

Power Spec

- Spill-proof power simplex
- Compact design
- 1-3/4" cutout for installation
- UL Listed

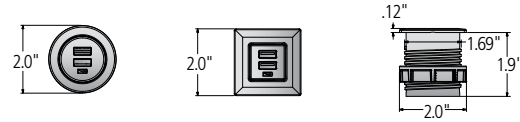
Power Spec



USB Spec

- Used to charge devices or transfer data
- Compact design
- Offered with USB-A+C
- 1-3/4" cutout for installation
- UL Listed

USB Spec

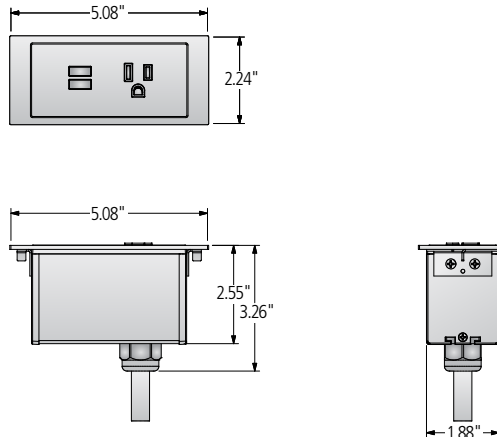


POWER PORT

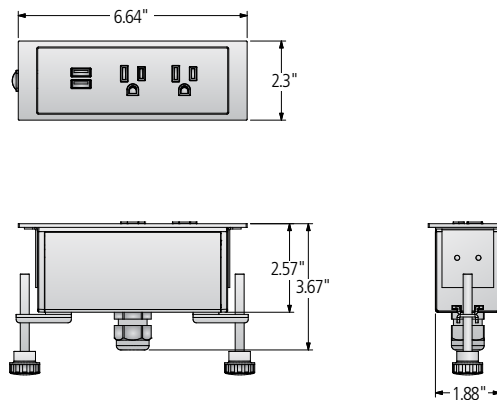
Sleek, low-profile design, and easy-to-clean surface. Power Ports are available as two or three window units, with USB and power or power simplexes only.

- Finish: smooth plastic faceplate with clear anodized aluminum housing, and powder-coated steel trim
- Available with Tamper Resistant Simplexes
- 15 Amp power simplexes
- Dual Port 4 Amp USB-A+C (2 Amps per port)
- UL Listed

Power Port - Two Window Unit



Power Port - Three Window Unit





MYNE IN TABLE TOP POWER LOCATION OPTIONS

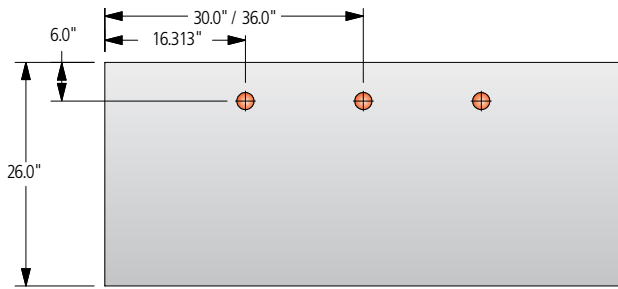
LOCATION CODES

POWER SPEC	USB SPEC	POWER PORT	LOCATION	QUANTITY OF UNITS TO ORDER
SP-1	SP-1	PP-1	One at center	1
SP-2	SP-2		One at each end	2

If both Power Spec and USB Spec are specified, Power Spec will be on the Left and USB Spec will be on the Right

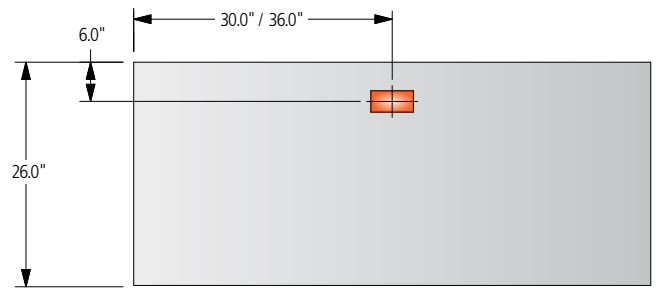
POWER/USB SPEC

26"-Deep Tops

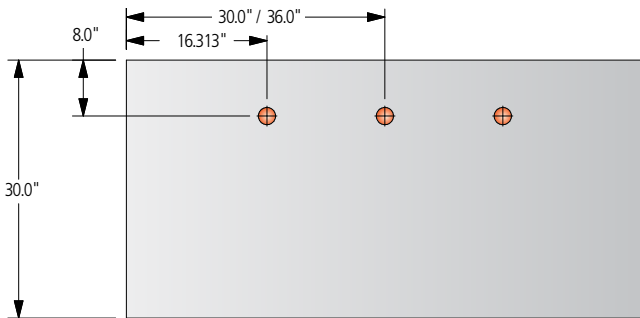


POWER PORT

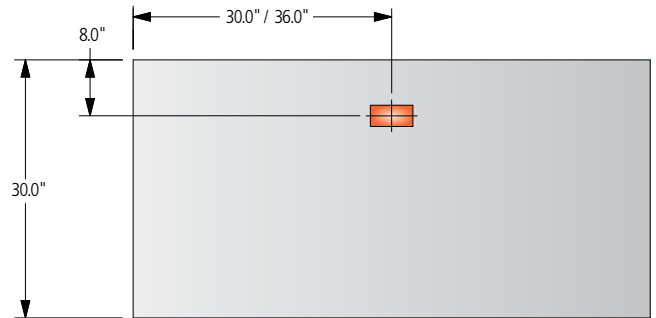
26"-Deep Tops



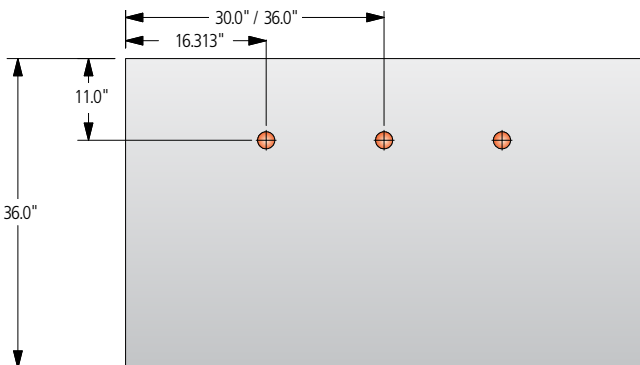
30"-Deep Tops



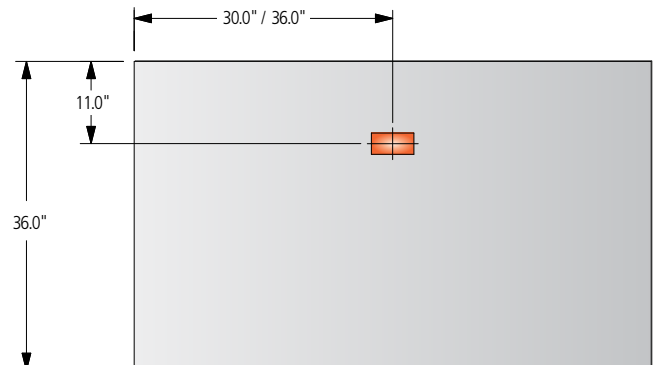
30"-Deep Tops



36"-Deep Tops



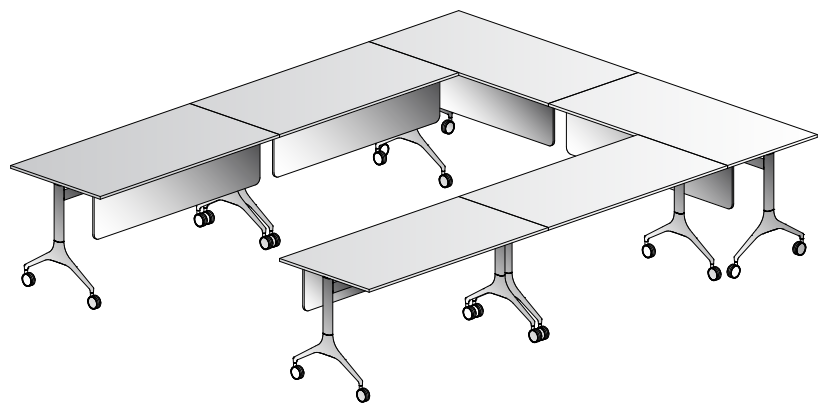
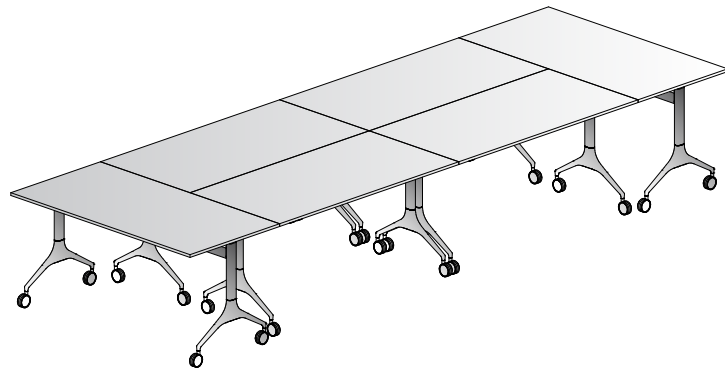
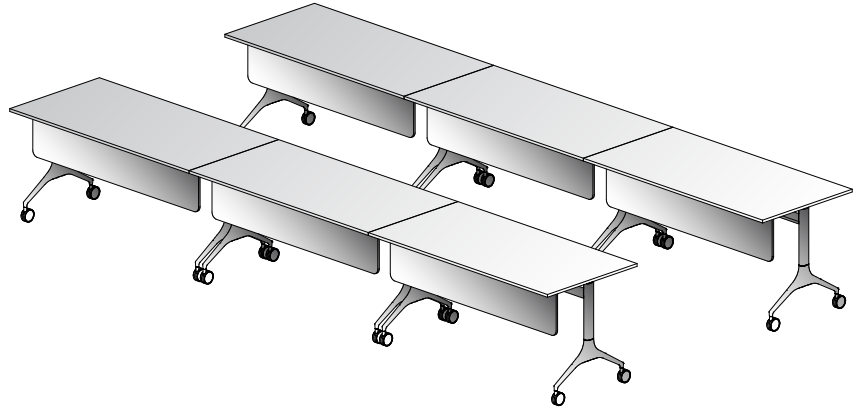
36"-Deep Tops





MYNE IN CONFIGURATION EXAMPLES

Myne IN tables are offered in two lengths, three depths, one base style and one edge profile allowing a broad range of application needs.

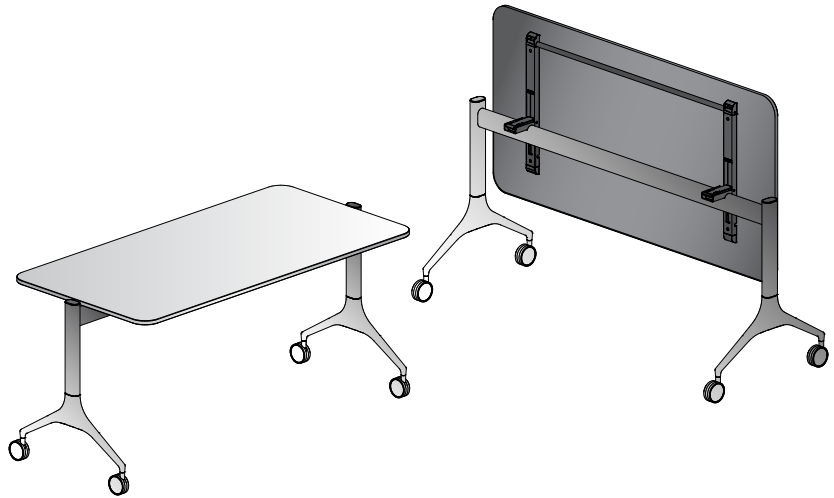




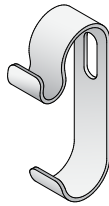
MYNE OUT DETAIL OVERVIEW

MYNE OUT

- 3/4" -thick radius rectangle tops
- Square edge with slight chamfer on top and bottom
- Outset T-leg is set just outside each end for maximum leg space. Legs are centered allowing users to be seated along either side.
- Tables are standard with a low-profile flip-mechanism with release bar for ease of mobility and compact storage
- Power and Charging Cap - Simplex and USB power options located on leg cap (see Myne OUT Technology Accommodations)
- Convenient J-hook, located on center beam, for handbags and quick coiling of wires for ease of mobility and storage
- No ganging connector option. Tables are intended to move freely.
- Tables are standard with four locking casters



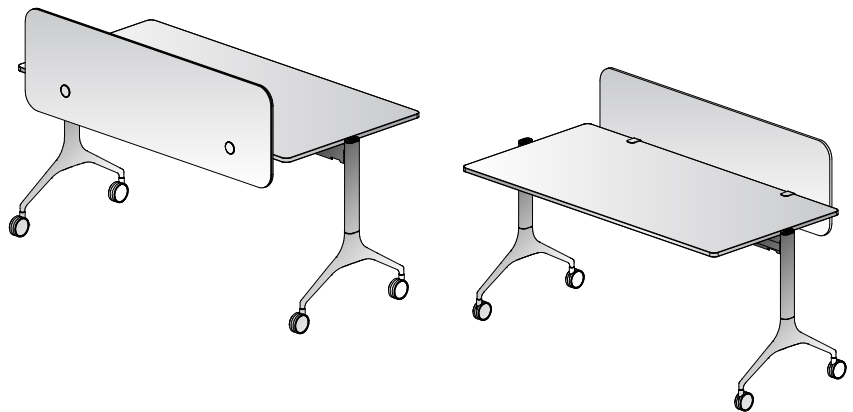
J-Hook



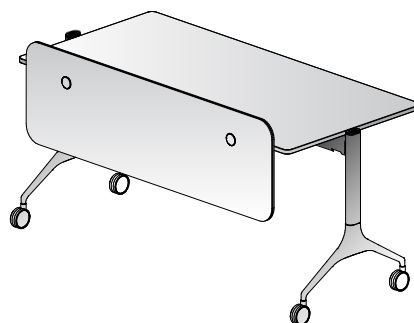
MYNE PARTITION

- COM or standard Tackzone Fabrics (see surface materials page)
- Modesty or Privacy position: Rotate clamp mechanism 180 degrees and attach partition to table for preferred modesty or privacy position
- Light weight construction (under 10lbs) for fast configuration
- When centered on the table, partition is intended to be inset 2.75" from either edge
- Wire pass through offers additional wire management flexibility
- 2" diameter metal end cap

Myne Partition - Privacy Position



Myne Partition - Modesty Position

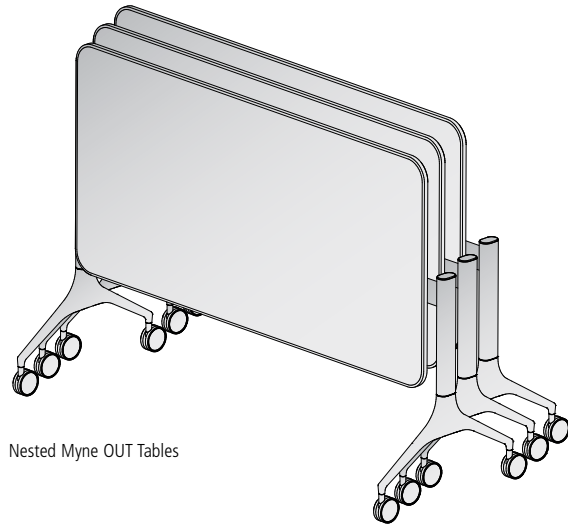




MYNE OUT DIMENSIONS

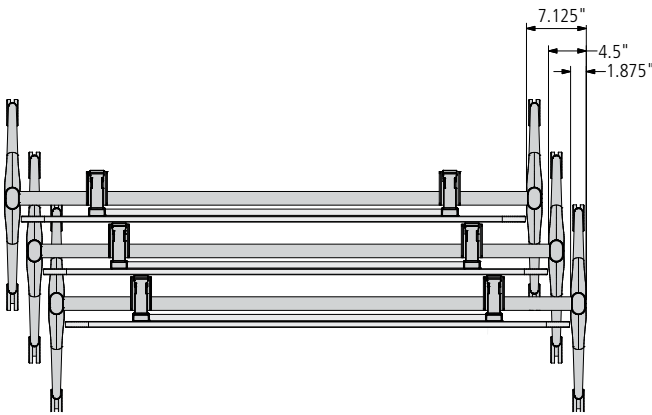
NESTING

- Cross Bar provides one-handed operation to flip the table top upward for dense storage when tables are not in use
- Safety catch allows top to remain in up position for moving and storage
- Nesting tables feature an offset nest; see illustrations to determine the dimensions of the tables while nested

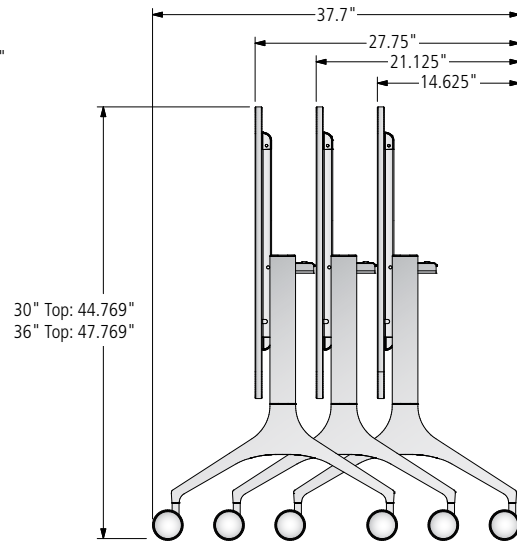


Nested Myne OUT Tables

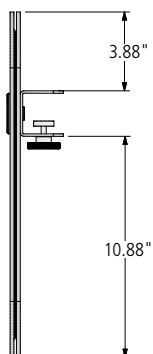
Nested Myne OUT Tables - Top View



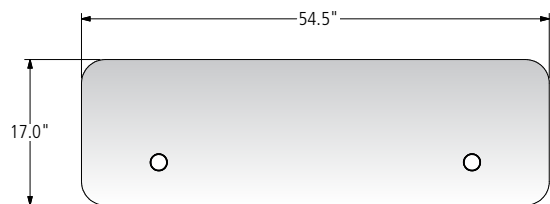
Nested Myne OUT Tables - Side View



Partition (Side View Modesty Position)



Partition (Front View Privacy Position)



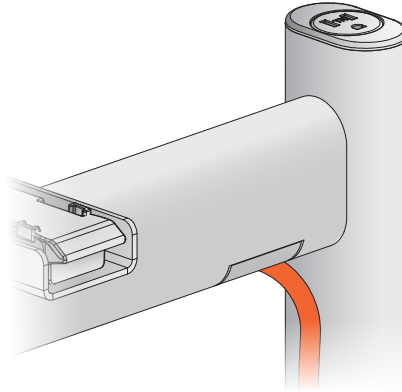


MYNE OUT TECHNOLOGY ACCOMMODATION

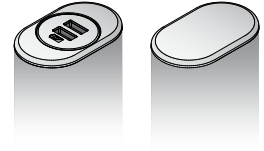
POWER CAP (CORDED)

Located on the top of the leg, the power cap allows use of simplex and USB charging while keeping the work surface unobstructed.

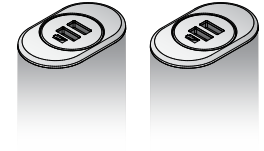
- Molded plastic cap in black or white
- Tamper resistant
- 7/2" threaded cord routes through center beam to floor
- Single simplex or dual USB combinations
- If no power is specified, leg cap defaults to blank cap with no outlets.



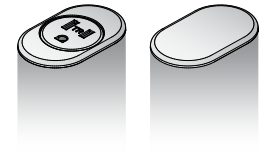
MYC-USB1



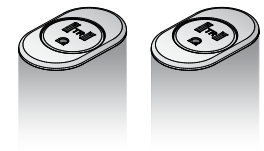
-MYC-USB2



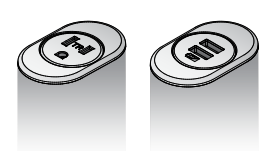
-MYC-AC1



-MYC-AC2

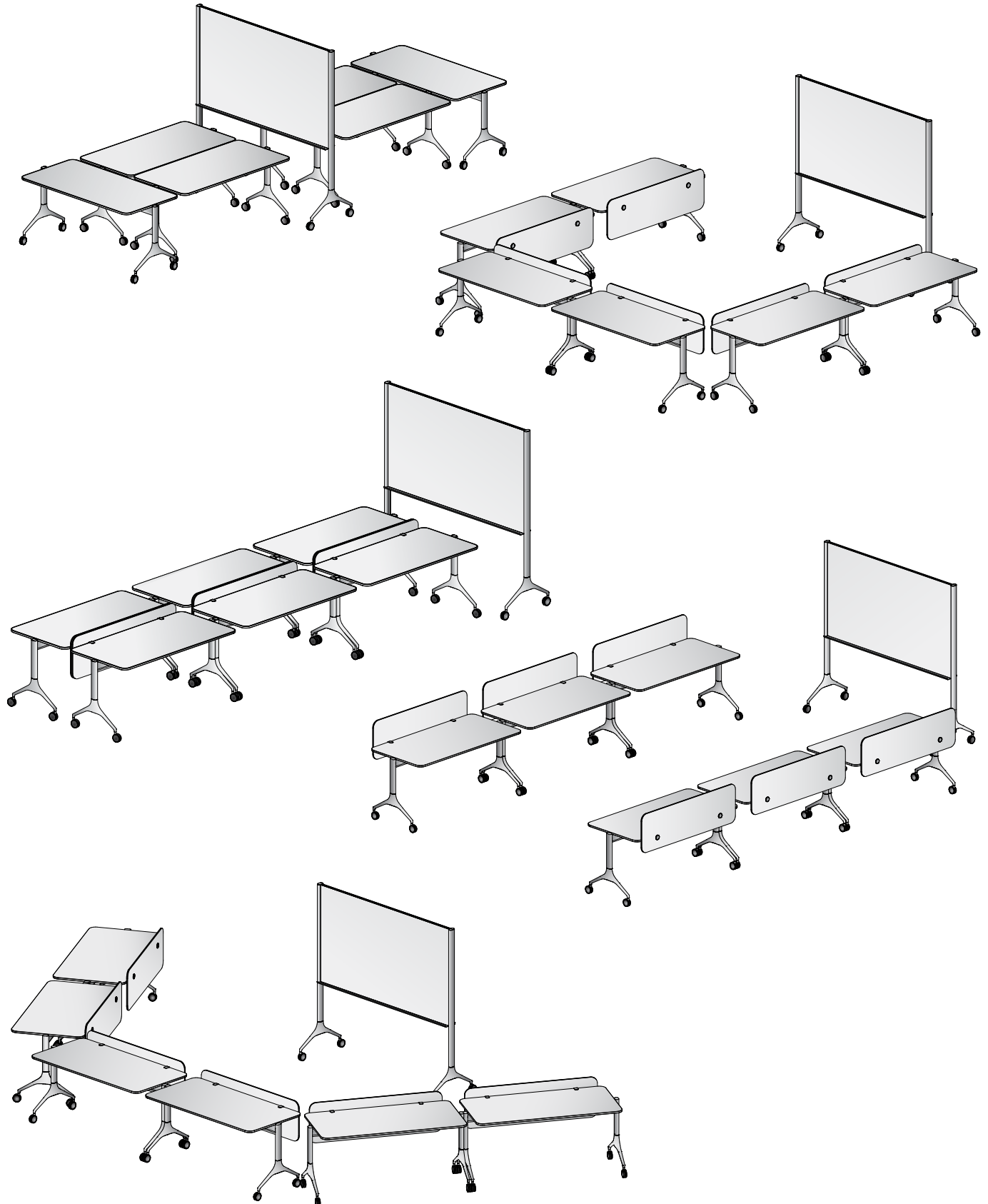


-MYC-AC-USB2





MYNE OUT CONFIGURATION EXAMPLES



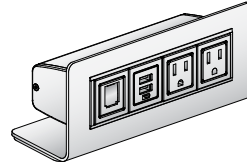


FREESTANDING POWER OPTION: TECH ZONE

TECH ZONE

Simple, easy to use and portable, this freestanding table top power option allows you to easily charge all of your devices.

Available in two configurations with a variety of power and data connectivity options. Includes a 72"-long plug-in infeed cord.



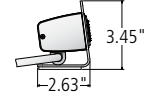
ZONE-USB-C

Includes two simplex receptacles, one data port and one charging USB-A+C charging port

ZONE-DATA

Includes two simplex receptacles and two open data ports

Tech Zone - Side View



ZONE-USB-C



ZONE-DATA





RECTANGLE TOP



SURFACE MATERIAL KEY

LAMINATE TOP
 PE Woodgrain/ABS Edge
 PB Birch Edge

LINOLEUM TOP
 LE ABS Edge
 LB Birch Edge

VENEER TOP
 V Hardwood Edge

MYNE IN RECTANGLE TABLES

MODEL #	L x W x H	-PE	-PB	-LE	-LB	-V
MYRT-6026-CI	60 x 26 x 29.5	2,740	2,855	2,855	2,970	3,621
MYRT-6030-CI	60 x 30 x 29.5	2,917	3,040	3,040	3,164	3,855
MYRT-6036-CI	60 x 36 x 29.5	3,081	3,213	3,213	3,342	4,074
MYRT-7226-CI	72 x 26 x 29.5	2,893	3,017	3,017	3,139	3,826
MYRT-7230-CI	72 x 30 x 29.5	3,081	3,213	3,213	3,342	4,074
MYRT-7236-CI	72 x 36 x 29.5	3,284	3,421	3,421	3,560	4,338

OPTIONS	CODE	PRICE	NOTES
Metal Modesty Panel Options:			
60" L Tables	-MYM60	\$305	55.5 x 11; Metal Modesty finish will match leg finish
72" L Tables	-MYM72	\$323	67.5 x 11; Metal Modesty finish will match leg finish
Laminate Woodgrain/ABS Modesty Panel Options:			
60" L Tables	-MYW60-PE	\$507	55.5 x 11; Modesty finish will match surface material
72" L Tables	-MYW72-PE	\$535	67.5 x 11; Modesty finish will match surface material
Laminate Birch Edge Modesty Panel Options:			
60" L Tables	-MYW60-PB	\$529	55.5 x 11; Modesty finish will match surface material
72" L Tables	-MYW72-PB	\$558	67.5 x 11; Modesty finish will match surface material
Linoleum ABS Modesty Panel Options:			
60" L Tables	-MYW60-LE	\$529	55.5 x 11; Modesty finish will match surface material
72" L Tables	-MYW72-LE	\$558	67.5 x 11; Modesty finish will match surface material
Linoleum Birch Edge Modesty Panel Options:			
60" L Tables	-MYW60-LB	\$551	55.5 x 11; Modesty finish will match surface material
72" L Tables	-MYW72-LB	\$580	67.5 x 11; Modesty finish will match surface material
Veneer Hardwood Edge Modesty Panel Options:			
60" L Tables	-MYW60-V	\$670	55.5 x 11; Modesty finish will match surface material
72" L Tables	-MYW72-V	\$707	67.5 x 11; Modesty finish will match surface material
Ganging Connector	Add -GCM	Add \$163 per table	Creates eight connection points per table
Polished Chrome Foot Finish	Add -PCM	Add \$604 per table	Includes four chrome casters
Power Beam (Modular Power) Options:			
(2) Duplex Receptacles	Add -MYD1	Add \$651 per table	- Includes two duplex receptacles per table and one jumper to connect to adjacent table - Power in-feed must be specified separately (see page 18) - Power is below surface, integrated into crossbeam - Includes additional J-hook for jumper storage"
(1) Duplex Receptacle and (1) USB-A+C	Add -MYD2-C	Add \$747 per table	- Includes one duplex receptacle per table, one USB-A+C per table and one jumper to connect to adjacent table - Power in-feed must be specified separately (see page 18) - Power is below surface, integrated into crossbeam - Includes additional J-hook for jumper storage"
Table Top Power Options	See page 19		



Metal Modesty Panel Options:

60" L Tables -MYM60 \$305 55.5 x 11; Metal Modesty finish will match leg finish
 72" L Tables -MYM72 \$323 67.5 x 11; Metal Modesty finish will match leg finish

Laminate Woodgrain/ABS Modesty Panel Options:

60" L Tables -MYW60-PE \$507 55.5 x 11; Modesty finish will match surface material
 72" L Tables -MYW72-PE \$535 67.5 x 11; Modesty finish will match surface material

Laminate Birch Edge Modesty Panel Options:

60" L Tables -MYW60-PB \$529 55.5 x 11; Modesty finish will match surface material
 72" L Tables -MYW72-PB \$558 67.5 x 11; Modesty finish will match surface material

Linoleum ABS Modesty Panel Options:

60" L Tables -MYW60-LE \$529 55.5 x 11; Modesty finish will match surface material
 72" L Tables -MYW72-LE \$558 67.5 x 11; Modesty finish will match surface material

Linoleum Birch Edge Modesty Panel Options:

60" L Tables -MYW60-LB \$551 55.5 x 11; Modesty finish will match surface material
 72" L Tables -MYW72-LB \$580 67.5 x 11; Modesty finish will match surface material

Veneer Hardwood Edge Modesty Panel Options:

60" L Tables -MYW60-V \$670 55.5 x 11; Modesty finish will match surface material
 72" L Tables -MYW72-V \$707 67.5 x 11; Modesty finish will match surface material

Ganging Connector Add -GCM Add \$163 per table Creates eight connection points per table

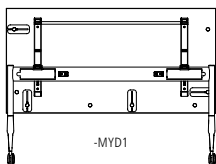
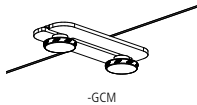
Polished Chrome Foot Finish Add -PCM Add \$604 per table Includes four chrome casters

Power Beam (Modular Power) Options:

(2) Duplex Receptacles Add -MYD1 Add \$651 per table
 - Includes two duplex receptacles per table and one jumper to connect to adjacent table
 - Power in-feed must be specified separately (see page 18)
 - Power is below surface, integrated into crossbeam
 - Includes additional J-hook for jumper storage"

(1) Duplex Receptacle and (1) USB-A+C Add -MYD2-C Add \$747 per table
 - Includes one duplex receptacle per table, one USB-A+C per table and one jumper to connect to adjacent table
 - Power in-feed must be specified separately (see page 18)
 - Power is below surface, integrated into crossbeam
 - Includes additional J-hook for jumper storage"

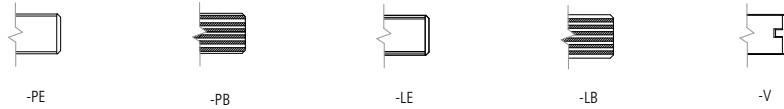
Table Top Power Options See page 19





RECTANGLE TOP

EDGE PROFILE



GENERAL INFORMATION

- Overall table height 29-1/2"
- Tops are 3/4" -thick
- Due to the modular nature of the tables, grain matching between tables is not possible
- Birch edge finish is natural clear coat
- Metal modesty panel will match leg finish. All other modesty panel options will match surface material selection, unless specified.
- Leg Cap and Caster color will default based on Leg Finish
 - Polished Chrome Foot Finish: Chrome caster
 - Aged Bronze, Burnished, Black, Galaxy, Satin Bronze, Shadow, and Storm: Black leg cap and caster
 - Cloud: White leg cap and caster
- Ganging connectors are Black
- Release bar color will default to match leg metal finish
- All tables include a J-Hook which can hang anywhere along the crossbeam for handbags and quick coiling of wires
- Hardwired and corded single infeed options are 42" long
- Modular Power infeed can be placed at any Modular Power Beam location along a string of connected tables
- Plug-in power Infeed will only utilize one circuit of the two-circuit modular power system. To utilize both circuits, the hardwire power infeed must be specified.

REQUIRED INFORMATION (ORDER CANNOT BE ENTERED WITHOUT THIS INFORMATION)


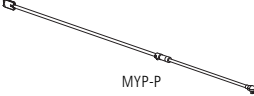
See appendix pages vi-vii for surface material options.

- Choose Top Finish
 - PE: Laminate Top with ABS Edge
 - PB: Laminate Top with Birch Edge
 - LE: Linoleum Top with ABS Edge
 - LB: Linoleum Top with Birch Edge
 - V: Wood Finish for Veneer Top and Hardwood Edge
- Choose Leg Metal Finish



POWER OPTIONS

	TABLE TOP POWER ONLY	POWER BEAM ONLY	TABLE TOP POWER + POWER BEAM
Daisy-Chaining	No	Yes	Yes
Location	- Left and Right or Centered on Table Top	- Under table top, on face of cross beam	- Left & Right or Centered on Table Top - Under table top, on face of cross beam
Power Options	<p>Power Spec: 72" cord to reach floor - One simplex</p> <p>USB Spec: 72" cord to reach floor - USB-A+C</p> <p>Power Port: 72" cord to reach floor - Two simplex - One simplex and one USB-A+C - Three simplex - Two simplex and one USB-A+C</p>	<p>2 duplex receptacles - Hard Wire Power Infeed: 42" cord to reach floor (maximum of 12 tables per infeed) - Plug-in Power Infeed: 42" cord to reach floor (maximum of 6 tables per infeed)</p> <p>1 duplex receptacle, 1 USB-A+C - Hard Wire Power Infeed: 42" cord to reach floor (maximum of 12 tables per infeed) - Plug-in Power Infeed: 42" cord to reach floor (maximum of 6 tables per infeed)</p>	<p>TABLE TOP Power Spec: 18" cord to reach crossbeam - One simplex</p> <p>USB Spec: 18" cord to reach crossbeam - USB-A+C</p> <p>Power Port: 36" cord to reach crossbeam - Two simplex - One simplex and one USB-A+C - Three simplex - Two simplex and one USB-A+C</p> <p>POWER BEAM 2 duplex receptacles - Hard Wire Power Infeed: 42" cord to reach floor (maximum of 12 tables per infeed) - Plug-in Power Infeed: 42" cord to reach floor (maximum of 6 tables per infeed)</p> <p>1 duplex receptacle, 1 USB-A+C - Hard Wire Power Infeed: 42" cord to reach floor (maximum of 12 tables per infeed) - Plug-in Power Infeed: 42" cord to reach floor (maximum of 6 tables per in-feed)</p>

MODULAR POWER INFEED	MODEL #	DESCRIPTION	PRICE
	MYP-H	Hardwire Power Infeed (maximum of 12 tables per infeed)	151
	MYP-P	Plug-In Power Infeed (maximum of 6 tables per infeed)	420
	MYP-P-SPLUG	Plug-In Power Infeed (20 amp) Straight Plug Head (maximum of 6 tables per infeed)	420

GENERAL INFORMATION

- Hardwired and corded single infeed options are 42" long
- Plug-in power Infeed will only utilize one circuit of the two-circuit modular power system. To utilize both circuits, the hardwire power infeed must be specified.

MODULAR POWER SYSTEM RETROFIT KITS	MODEL #	DESCRIPTION	PRICE
	MY-MOD160	Two duplex receptacles and one jumper to connect to adjacent table	788
	MY-MOD260	One duplex receptacle, one dual USB and one jumper to connect to adjacent table	881
	MY-MOD172	Two duplex receptacles and one jumper to connect to adjacent table	788
	MY-MOD272	One duplex receptacle, one dual USB and one jumper to connect to adjacent table	881


GENERAL INFORMATION

- Power in-feed must be specified separately (see above)
- Power is below surface, integrated into crossbeam

CORNER JUMPER	MODEL #	DESCRIPTION	PRICE
	MY-CORNER	54" -length corner jumper	116



POWER OPTIONS

POWER SPEC	MODEL #	DESCRIPTION	PRICE
 MY-PWR-R	MY-PWR-R	Round Power Spec	116
	MY-PWR-SQ	Square Power Spec	116


GENERAL INFORMATION

- Includes (1) Simplex receptacle
- 72" cord if no Modular Power Beam has been specified
- 18" cord if Modular Power Beam has been specified.
- Power Spec will utilize one of four Modular Power Beam receptacles

REQUIRED INFORMATION: (ORDER CANNOT BE ENTERED WITHOUT THIS INFORMATION)

See appendix pages vi-vii for surface material options.

- Choose Metal Finish:
 - B: Black
 - W: White
 - CB: Chrome

USB SPEC	MODEL #	DESCRIPTION	PRICE
 MY-USBC-R	MY-USBC-R	Round USB Spec	243
	MY-USBC-SQ	Square USB Spec	243

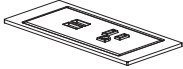
GENERAL INFORMATION

- Includes (1) USB-A+C receptacle
- 72" cord
- 18" cord if Modular Power Beam has been specified.
- USB Spec will utilize one of four Modular Power Beam receptacles
- Finish will default based on Leg Finish
 - Black Power Spec: Aged Bronze, Burnished, Black, Galaxy, Satin Bronze, Shadow, and Storm
 - White Power Spec: Cloud

REQUIRED INFORMATION: (ORDER CANNOT BE ENTERED WITHOUT THIS INFORMATION)

See appendix pages vi-vii for surface material options.

- Choose Metal Finish:
 - B: Black
 - W: White
 - CB: Chrome

POWER PORT	MODEL #	DESCRIPTION	PRICE
 PORT2-USBC	PORT2	2 simplex	390
	PORT2-USBC	1 simplex, 1 USB-A+C	581
	PORT3	3 simplex	411
	PORT3-USBC	2 simplex, 1 USB-A+C	621

GENERAL INFORMATION

- 72" cord if no Modular Power Beam has been specified
- 36" cord if Modular Power Beam has been specified
- Positioned in center location

REQUIRED INFORMATION: (ORDER CANNOT BE ENTERED WITHOUT THIS INFORMATION)

See appendix pages vi-vii for surface material options.

- Choose Metal Finish:
 - B: Black
 - W: White

LOCATION CODES	POWER SPEC	USB SPEC	POWER PORT	LOCATION	QUANTITY OF UNITS TO ORDER
SP-1	SP-1		PP-1	One at center	1
SP-2	SP-2			One at each end	2

GENERAL INFORMATION

- If two units are order for one table, Power Beam is recommended
 - Two units will utilize one duplex receptacle
- If both Power Spec and USB Spec are specified, Power Spec will be on the Left and USB Spec will be on the Right
- See page 9 of the planning guide for location dimensions



RADIUS RECTANGLE TOP



SURFACE MATERIAL KEY

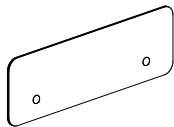
LAMINATE TOP
 PE Woodgrain/ABS Edge
 PB Birch Edge

LINOLEUM TOP
 LE ABS Edge
 LB Birch Edge

VENEER TOP
 V Hardwood Edge

MYNE OUT RADIUS RECTANGLE TABLES

MODEL #	L x W x H	-PE	-PB	-LE	-LB	-V
MYRR-6030-CO	60 x 30 x 29.5	3,330	3,483	3,483	3,499	4,161
MYRR-6036-CO	60 x 36 x 29.5	3,532	3,615	3,615	3,696	4,397
MYRR-7230-CO	72 x 30 x 29.5	3,532	3,615	3,615	3,696	4,397
MYRR-7236-CO	72 x 36 x 29.5	3,762	3,850	3,850	3,937	4,683

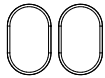


-MYMP-60

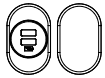
OPTIONS

Partition Panel Options:	L x W	YARDAGE	COM	A	B	C	D	E	F	G	H
-MYMP-60	54.5 x 17	2	629	748	844	929	1,012	1,096	1,179	1,263	1,345
-MYMP-72	66.5 x 17	3	694	846	995	1,120	1,245	1,371	1,496	1,621	1,746

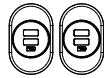
	CODE	PRICE	NOTES
Polished Chrome Foot Finish	Add -PCM	Add \$604 per table	Includes four chrome casters



Default



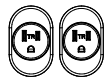
-MYC-USB1



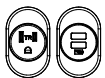
-MYC-USB2



-MYC-AC1



-MYC-AC2



-MYC-AC-USB2

POWER CAP

Daisy-Chaining	No
Location	- Top of Legs
Power Options	Power Cap: 72" cord - Dual USB in one leg - Dual USB in both legs - One simplex in one leg - One simplex in both legs - One simplex in one leg and dual USB in other leg

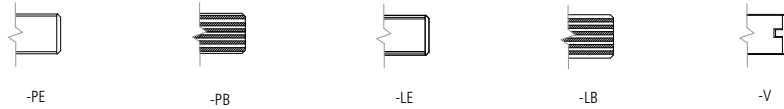
OPTIONS

	CODE	PRICE	NOTES
Power Cap - Corded Options:			
Dual USB Left Leg Cap and Blank Right Leg Cap	Add -MYC-USB1	Add \$608 per table	
Dual USB Left and Right Leg Cap	Add -MYC-USB2	Add \$986 per table	
Simplex Receptacle Left Leg Cap and Blank Right Leg Cap	Add -MYC-AC1	Add \$189 per table	
Simplex Receptacle Left and Right Leg Cap	Add -MYC-AC2	Add \$682 per table	
Simplex Receptacle Left Leg Cap/Dual USB Right Leg Cap	Add -MYC-AC-USB2	Add \$758 per table	



RADIUS RECTANGLE TOP

EDGE PROFILE



GENERAL INFORMATION

- Overall table height 29-1/2"
- Tops are 3/4"-thick
- Due to the modular nature of the tables, grain matching between tables is not possible
- Birch edge finish is natural clear coat
- Leg Cap and Caster color will default based on Leg Finish
 - Polished Chrome Foot Finish: Chrome caster
 - Aged Bronze, Burnished, Black, Galaxy, Satin Bronze, Shadow, and Storm: Black leg cap and caster
 - Cloud: White leg cap and caster
- Release bar color will default to match leg metal finish
- All tables include a hook which can hang anywhere along the crossbeam for handbags and quick coiling of wires
- Power Cap color will default based on Leg Finish
 - Aged Bronze, Burnished, Black, Galaxy, Satin Bronze, Shadow, and Storm: Black leg cap and caster
 - Cloud: White leg cap and caster
- Corded Power Cap has a 72" length cord per table
- Partition clip color will default to match leg metal finish unless specified
- Panels are tackable
- If no power is specified, leg cap defaults to blank cap with no outlets
- See page viii of the appendix for partition fabric restriction

REQUIRED INFORMATION (ORDER CANNOT BE ENTERED WITHOUT THIS INFORMATION)

See appendix pages vi-vii for surface material options.

- Choose Top Finish
 - PE: Laminate Top with ABS Edge
 - PB: Laminate Top with Birch Edge
 - LE: Linoleum Top with ABS Edge
 - LB: Linoleum Top with Birch Edge
 - V: Wood Finish for Veneer Top and Hardwood Edge
- Choose Leg Metal Finish
- Choose Fabric, if applicable



ACCESSORIES

MYNE IN GANGING CONNECTOR	MODEL #	DESCRIPTION	PRICE
	MY-GNG	Ganging Connectors, set of 2	195

GENERAL INFORMATION

- For retrofitting in the field
- Available for Myne In tables only
- Black metal finish

J-HOOK	MODEL #	DESCRIPTION	PRICE
	MY-HOOKG	Myne In J-Hook	32
	MY-HOOKF	Myne Out J-Hook	32

GENERAL INFORMATION

- Hang anywhere along the crossbeam for handbags, quick coiling cables and wire management
- Two hooks on one crossbeam allow for storing of jumper cable (Myne In only)

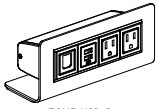
REQUIRED INFORMATION: (ORDER CANNOT BE ENTERED WITHOUT THIS INFORMATION)
 See appendix pages vi-vii for surface material options.

- Choose Metal Finish



FREESTANDING POWER OPTION

TECH ZONE	MODEL #	DESCRIPTION	SIMPLEX OUTLETS	OPEN DATA PORTS	CHARGING USB-A+C	PRICE
	ZONE-DATA	(2) Simplex receptacles, (2) Open data ports	2	2	-	341
	ZONE-USB-C	(2) Simplex receptacles, (1) Charging USB-A+C, (1) Open data port	2	1	1	408



ZONE-USB-C



ZONE-DATA



ZONE-USB-C

GENERAL INFORMATION

- 72" long plug-in infeed cord
- Finish is black
- Includes a Voice/Data Adapter Kit to accept couplers and jacks when required



Appendix



GENERAL INFORMATION

This price book supercedes all previous versions.

Before placing your order, confirm you have all required information necessary. Lead times for orders begin after all required information is included and correct.

Delivery Information

We know lead times are important and sticking to them even more so. We work to maintain a 6-8 week lead time on all standard products in this book from receipt of a clean order. All orders are acknowledged with an approximate shipping date and will be invoiced with the price in effect at the date the purchase order is received.

Shipping charges are prepaid (within the continental U.S.). Therefore, pricing is a delivered price based on normal ground transportation. If you have special instructions, need to ship by air, or are shipping to Alaska or Hawaii, contact NuCraft Customer Service. NuCraft can also help arrange to have products blanket wrapped for an additional charge. Contact the NuCraft Customer Service team or specify it on your purchase order.

Minimum Freight Charge: Any order below \$2,800 net will be assessed a \$450 net minimum freight charge (one per order).

Orders are subject to acquiring the materials required for manufacturing. Fulfillment can be affected by strikes, fires, embargoes and acts of government. These elements are beyond our control.

NuCraft offers a variety of services to accommodate a wide range of delivery requirements. Availability of these services is dependent on a number of factors and may not be offered with all shipments. Examples of delivery services that have additional fees include:

- Specific date within our standard 3-5 day delivery window (for orders under \$50,000 net)
- Specific time of day, morning or afternoon (for orders under \$50,000 net)
- Delivery to a warehouse before delivery to its final destination (unless product is picked up at the warehouse)

Contact the NuCraft Customer Service team for availability and pricing on these services.

Freight Terms

Shipping charges for NuCraft products are prepaid for standard delivery in the continental United States. Standard delivery is defined as follows: Product is delivered on a 53' trailer being pulled by a long-haul tractor (total length of 85'). Facility will receive delivery Monday through Friday between the hours of 8:00 AM and 4:00 PM. Facility has docks with levelers and a fork truck for unloading. Product will be loaded on load bars two levels high. Receiving facility is responsible to have personnel on hand to unload the truck upon arrival, drivers do not unload. Delivery sites or times that do not meet this criteria will be accommodated, but will typically incur a charge to cover additional shipping costs. Please notify NuCraft in advance of the shipment if this is the case and the additional charge (if any) will be determined by NuCraft.

Product ships FOB dock. The customer obtains title to their product and materials, and assumes the risk of loss for them, upon shipment from NuCraft's facilities.

Storage

NuCraft has no storage facilities for finished product. If a customer cannot accept an order when it is ready for shipment, the customer must designate an alternative shipping address. If no address is provided, NuCraft may, at its discretion, transfer the product to storage. If product is transferred to an off-site storage facility, the customer may be charged for transportation to the facility and for any associated storage fees. NuCraft considers transfer of the product to a storage facility the equivalent of shipment, including invoicing and payment. Customers assume the risk of damage or loss during storage.

Transportation Times and Delays

Third party carriers that NuCraft contracts with will make reasonable efforts to accommodate requested delivery times and dates. Scheduled delivery appointments may, however, be delayed for a variety of reasons, including inclement weather, traffic, transportation equipment problems, and delays encountered at other delivery locations along the delivery route. NuCraft does not recommend scheduling activities that depend on the delivery appointment (for example, scheduling furniture installers to install furniture the day of the delivery appointment). NuCraft shall not be liable for any costs incurred as a result of a missed delivery appointment.

Shipment Damage Claims

Legal title to merchandise passes to the buyer upon acceptance by the carrier. **Inspect all cartons upon delivery.** Details of visible damage should be noted on the delivery receipt. Do not install product if damage is found upon inspection. The carrier should be notified by the buyer to inspect the merchandise, and file a claim immediately. If visible damage is not apparent, sign the delivery receipt "No visible damage." This will allow recourse for a concealed damage claim. Although most claims for transportation damages must be filed against the carrier within nine months of the date of delivery, concealed damage claims must be filed within 15 days of receipt.

Do not destroy packing materials until shipment has been inspected. Then proceed to file a claim with the carrier.

Failure to make any claims against NuCraft within 10 days shall constitute acceptance of the merchandise and a waiver of any defects, errors or shortages discovered upon inspection.

Cancellations

Cancellations must be reviewed by our Customer Service team. Because we build your products to order, orders cannot be cancelled once processing has begun. Processing includes but is not limited to development of shop drawings and other engineering drawings. If cancellation is approved, a processing fee of 20-100% will be assessed based on the status of the order.

Change Order Policy

NuCraft will make every attempt to honor any reasonable change request to product provided that the request is received prior to start of production. Change orders will be accepted only if the request is made in writing and received in time to make the change. NuCraft reserves the right to increase our acknowledged price and ship date if necessary to make the requested changes. Please submit any change order request to our Customer Service team. NuCraft will assess charges to the customer as stipulated in the following:

- Standard Orders: Change orders received prior to production will be charged \$400 net to cover administrative costs.
- Special Orders: Change orders received prior to production will be charged \$400 net to cover administrative costs. There may be additional costs associated with engineering labor required for the change order.
- Change orders received after production must be evaluated by NuCraft. If approved, the charge will be \$400 net plus any restocking charges accumulated. There may be additional costs associated with engineering and/or manufacturing labor, as well as material costs, required for the change order.



GENERAL INFORMATION

Repair Authorization

Prior written approval is required for repairs of merchandise charged to NuCraft. Failure to do so will result in customer funded repairs.

Payment Terms

Deposits are required at the time of order due to the custom nature of our products. See information regarding Cancellations above.

Credit terms are available to qualified customers. Please contact AR@NuCraft.com to start the application process. Note that the credit application process requires a valid sales tax exemption or resale tax certificate, Form W-9, and three current trade references.

Credit Card Payments are accepted via web portal. Please contact AR@NuCraft.com for payment instructions. Note that a 2% convenience fee will be added for using this payment method and no early pay discounts are allowed on credit card payments.

Warranty

NuCraft Furniture is warranted to be free from defects in materials and workmanship for a period of ten years of single shift use. Limitations include:

- Mechanical Devices such as latches, casters, and other moving components are warranted for five years of the date of original delivery.
- Height adjustable components are warranted for two years of the date of original delivery.
- The following are warranted for one year of the date of original delivery:
 - Textiles
 - Electrical Components
 - Refrigeration Units
 - Custom Products not described in NuCraft's Catalogue

This warranty is applicable only if furniture is properly installed and maintained in an office environment. This warranty extends only to products manufactured and sold in North America and only to original purchasers acquiring new NuCraft product through authorized dealers or approved sellers.

During this warranty period, NuCraft's sole obligation is to repair or replace, at NuCraft's discretion, products which prove to be defective during the warranty period.

This warranty does not cover:

- Damage caused by a carrier.
- Damage from user modification, misuse, abuse, accident, or negligence.
- Customer's Own Material (COM) specified by the customer that is not a standard product offering.
- Color, grain, or texture of wood and other covering material.

NuCraft extends no other warranties, expressed or implied, including warranty of merchantability or fitness for a particular purpose. NuCraft shall not be liable for loss of time, inconvenience, commercial loss, incidental or consequential damages.

Environmental Statement

NuCraft is committed to supporting responsible environmental policies and practices in all that we do. We strive for sustainability, weighing our business decisions against the costs to the ecological, social and economic systems they affect.

Our products are manufactured to meet the credit requirements of the U.S. Green Building Council's LEED rating systems in one or more of the following categories:

- Recycled Content
- Certified Wood
- Low-Emitting Materials

Computer Aided Planning

NuCraft products and pricing are available on CD via 2020 Cap, an AutoCAD®-based space planning tool.

2020 Cap is an integrated software system developed specifically for interior designers and facility planners to enhance workplace performance. This modern suite of applications works together seamlessly, in concert. Navigate catalogs, select products, design in plan view and 3D, assign options, create worksheets and build a project where you want, when you want. Take your pick. It's dynamic and interactive. Design projects are a work in progress. And now you can perform any of the many discrete tasks that go into a project any time, any place.

For additional information, you may contact 2020 Cap direct at 800-227-0038.

iSpec®

NuCraft offers a free online product configuration and specification service that saves you time and allows you to be creative while leaving the nuts and bolts to someone else. No specific software is required, nor is there any learning curve. This service applies to all NuCraft products. For additional information, call 1-877-NUCRAFT and ask for the iSpec Team or log on to www.nucraft.com/ispec.



FINISH INFORMATION

Surface Materials Palette

We crafted our materials palette using the same demanding standards that distinguish our furniture. Thoughtful design and attention to every detail elevate your possibilities.

Anchored by NuCraft veneers, unrivaled for clarity, quality, and depth of finish, our collection of surface materials comprises a sophisticated set of balanced elements that supports your design vision.

Some elements have their roots in NuCraft’s rich heritage. Others are new materials and reflect current trends and taste. Together, they ensure that you’re ready for today and positioned well for the future. Beautifully.

Custom Finishes

NuCraft specializes in expert custom finish matching. For a nominal upcharge we can provide custom finishes, and we are frequently asked to match the finishes of other furniture manufacturers. For finishes that appear unusual to match or for customers directly requesting a sample, a finish sample will be sent for approval prior to entering the order.

Custom finishes requiring colored varnishes to create a painted look can only be applied to Maple veneer and require one extra week in addition to the standard lead time. NuCraft’s standard black finish (G82) can be applied to all NuCraft standard veneers. Walnut is the standard black veneer. Other species must be specified when ordering.

Clear coat on a special veneer requires an approved sample.

Custom finishes carry a 10% upcharge per item, per finish, capped at \$1,975 List.

Custom finish upcharges are not applied to any item that is not wood. Example: casters, ganging connectors, power options..

Treatments

Note: Default veneer sheen will vary per finish and product. Default finish is bolded on pages vi-vii. If no direction is provided on incoming orders, default sheen will be selected. In addition, default veneer cut is noted in the price list. If no direction is provided on incoming orders, default cut will be selected.

Gloss: Gloss is a durable finish that tends to nicely mask normal wear and leaves wood grain visible to the eye. It achieves a medium gloss open pore appearance (40 – 50 sheen range). Finish numbers preceded by the letter “G” indicate a Gloss finish.

Matte: Like Gloss, Matte is durable, tends to nicely mask normal wear and leaves wood grain visible to the eye. It achieves a low luster, open pore appearance (10 – 20 sheen range). Finish numbers preceded by the letter “M” indicate a Matte finish.

Since each veneer type responds differently to both types of treatment, all will have a distinctive look and feel when finished. For example, a Walnut veneer with a Gloss treatment will remain much more textured than a Cherry veneer with the same treatment.

About the Wood

All NuCraft veneers are carefully selected for uniformity of color and grain. Still, wood is a natural substance and minor variations may occur due to its own uniqueness. Because of this, the furniture you receive may not be an exact match to our samples.

NuCraft takes great pride in our finish color consistency. However, wood is a natural product that will have color variation within a single piece of furniture, as well as from one piece to the next. Other factors also affect color over time, such as exposure to light (both intensity and duration). For example, lighter finishes cause more variation in colors over time.

In cases where a returning customer wants a precise match with existing furniture, we recommend sending a sample of the existing furniture finish. Please contact NuCraft Customer Service to determine an appropriate sample. This will ensure a finish match between old and new orders. This type of order is considered a control sample. There will be a 10% upcharge on an order of this type. Due to natural aging of veneers, natural finishes may vary.

Care and Maintenance of Wood Finishes

Our finish material is a crystal clear, urethane acrylic blend. This type of finish may be repaired in the field by a qualified refinisher.

NuCraft recommends using a damp cloth to clean your fine wood furniture. Always wipe with the grain of the wood. Should your wood furniture require a more thorough cleaning, we recommend using a mild cleaner such as Joy dish soap or Murphy’s oil soap, thoroughly diluted in water (one part soap to thirty parts water). Water will not damage NuCraft’s finish, but it may leave surface spots when it dries. To avoid this, dry the surface with a soft cloth after it is cleaned. Marks that cannot be removed with the cleaning methods above may be able to be removed using naphtha, a mild degreasing solvent.

Caution: while the use of polishes that contain wax, petroleum solvents or silicones may immediately enhance the “shine” of a product, it may also eventually remove the fine original finish applied in our factory. Silicone on the surface of wood may also make it very difficult to respray or refinish.

All NuCraft furniture is inspected and polished before it leaves our factory. In some instances, the packing materials may imprint on the factory polish. Cleaning and polishing the furniture once it is unpacked will normally restore the furniture to its original beauty.

In some cases, the rubber support feet used on the bottom of common office equipment (teleconferencing phones, laptops, microphones, copiers, etc.) can create unsightly marks in the surface of wood tops, due to oxidation of the lacquer finish. We suggest these machines be placed on a protective type of padding, such as felt.

Wood will fade as a result of exposure to UV light. This is particularly prevalent with light finishes. If color changes due to fading are a concern for your application, the impact can be minimized by selecting medium to dark stains for your wood surfaces. Our top coat includes a UV inhibitor which makes the finishes less prone to fading.



FINISH INFORMATION

Laminates

Selected Formica® and Nevamar® laminates are available on Training Tables, Conference Tables, Conference Room Furniture and select Occasional Tables. For standard laminate and wood pricing, refer to individual item pricing columns.

Non-Standard Laminates and Linoleums

To order a color other than those on our list (see pages vi-vii), refer to Nevamar or Formica standard grade, matte texture laminate offerings and Forbo Furniture Linoleums (excluding manufacturers' non-standard matte offering).

- For approved non-standard laminates with a hardwood edge, the upcharge is 10% of the base price per laminate color with a minimum of \$500 and capped at \$1975.
- For approved non-standard laminate with a standard ABS edge, the upcharge is \$175 per laminate color.
- For approved non-standard laminates with a non standard ABS edge, please contact customer service.

To ensure your non standard laminate is on our approved list, please contact customer service. Add one week to the lead-time for all non-standard laminate and linoleum orders. Call the Nucraft Customer Service team for quotes on premium grades and laminates. Mirror and metal laminates are not available.

Care and Maintenance of Laminate and Novawrap

Laminate and Novawrap surfaces may be cleaned with a damp cloth and ordinary soap or non-abrasive household liquid detergent. Dry the surface with a clean cloth or soft paper towel to prevent streaks from appearing.

Care and Maintenance of Metal

Metal surfaces can be wiped with a damp cloth and rubbed dry. A mild non-abrasive household liquid detergent can be used if necessary. Regular maintenance of metal components, including tightening of fasteners and light lubrication of moving parts, will extend the life of your furniture.

Satin Etched Glass

Glass color may vary slightly on multi-piece conference table tops over 180" x 60" when satin etched glass is specified due to the iron content and etching process of the glass.

Care and Maintenance of Glass

Clear or frosted glass may be cleaned with commercial glass cleaner. Be sure to use a lint-free cloth if cleaning the frosted side of the glass.

Stone and Solid Surface Material

Despite its reputation for durability, natural stone can easily be broken during handling and/or installation if proper techniques are not followed. In addition, Nucraft is not responsible for the installation of natural stone or solid surface materials on its products. Therefore, installers specifically trained in the installation of these materials must be utilized to ensure a quality installation. Nucraft shall not be liable for any damages incurred during the handling and/or installation of natural stone or solid surface materials on its products.

Care and Maintenance of Granite

Granite surfaces may be cleaned with a damp cloth and ordinary soap or non-abrasive household liquid detergent. Dry the surface with a clean cloth or soft paper towel to prevent streaks from appearing.

Care and Maintenance of Leather

Genuine leather requires very little care. Nucraft recommends that leather be dusted regularly. If a more thorough cleaning is needed, use lukewarm water and a mild, non-abrasive soap. Generate some lather and lightly rub the surface with cheesecloth. Rinse off any soap film with clean water and towel dry. The leather may dry dull. To restore the leather to a normal gloss, rub it with a clean towel. Never use furniture polish, oil, varnish or ammonia. Saddle soap may be used to prevent the leather from becoming brittle or cracked and to maintain the original supple finish.

Touch Up Finish Kits

Model #	Description	Price
KIT-M	Metal Kit	80
KIT-P	Paint Kit	80
KIT-S	Stain Kit	80

REQUIRED INFORMATION: (ORDER CANNOT BE ENTERED WITHOUT THIS INFORMATION)

- Kit model number
- Quantity of kits
- Specify finish (See pages vi-vii)

General Information:

- Touch-up kits must be ordered on a purchase order separate from Nucraft product due to Hazmat shipping



WOOD FINISHES

STANDARD

Default veneer sheen will vary per finish and were determined by a team of experts who reviewed the colorways to determine if gloss or matte best highlighted the natural characteristics of the species of wood and the color of the stain. Default finish is bolded. If no direction is provided, default sheen will be selected.

	Matte	Gloss
Ash		
Blanco	M44	G44
Char	M50	G50

Rift Cut Oak

Carbon	M03	G03
--------	-----	------------

Flat Cut Oak

Dune	M05	G05
Portobello	M7413	G7413

Flaky Oak

Sahara	M61	G61
--------	------------	-----

Cherry

Cognac	M21	G21
Auburn	M93	G93

Walnut

Marron	M35	G35
Mocha	M33	G33
Zinc	M30	G30
Onyx	M82	G82
Otter	M31	G31

Maple

Natural Maple	M60	G60
---------------	-----	------------

Linea

Oak Linea	M08	G08
Walnut Linea	M27	G27
Euro Birch Linea	M09	G09
Silver Birch Linea	M10	G10

Paldao

Thicket	M75	G75
Paldao	M76	G76
Canyon	M77	G77

METAL FINISHES

Powder Coat

Aged Bronze	A8010
Black	A44
Burnished	A8009
Cloud	A8004
Foil	A8006
Galaxy	A8007
Satin Bronze	A8011
Shadow	A8005
Storm	A8012

Metal

Polished Chrome*	PCM
------------------	-----

*Up-charge applies. See specific product line pages for availability.



LAMINATES

Wood Grain Laminates	Code	Coordinating Woodgrain Edgeband
Formica White Ash	8841-58	R8841
Formica Natural Ash	8843-58	R8843
Formica Aged Ash	8844-58	R8844
Formica Weathered Ash	8842-58	R8842
Formica Oiled Legno	8846-58	R8846
Formica Bleached Legno	8845-58	R8845
Formica Blackened Legno	8848-58	R8848
Formica Pecan Woodline	5883-58	R5883
Formica Chestnut Woodline	5884-58	R5884
Formica Urban Planked Oak	9312-58	R9312
Formica Thermo Walnut	6402-58	R6402
Formica Smoky Brown Pear	5488-58	R5488
Formica Espresso Pear	5489-58	R5489
Formica White Knotty Maple	7410-58	R7410
Formica Sand Maple	9237-58	W7909
Formica Planked Coffee Oak	7413-58	F7413

Solid Laminates		Suggested ABS Edgeband
Formica Brite White	459-58	R01
Formica Dover White	7197-58	R01
Formica Pearl	934-58	R02
Formica Graystone	464-58	R02
Formica Folkstone	927-58	R03

Patterned Laminates		
Nevamar Cool Chic	VA7002T	R02
Nevamar Serene Stardom	VA5001T	R05
Nevamar Calm Distinction	VA6001T	R05
Nevamar Easy Elegance	VA5002T	R05
Wilsonart Sheer Mesh	4876-38	R02
Wilsonart Grey Mesh	4877-38	R02
Wilsonart Pewter Mesh	4878-38	R05

ABS FINISHES

Ashen	R04
Parchment	R02
Shale	R05
Stone	R03
Whitecap	R01

LINOLEUMS

Solid Linoleums	Code	Suggested ABS Edgeband
Forbo Ash	4132	R03
Forbo Nero	4023	R05
Forbo Mushroom	4176	R02
Forbo Iron	4178	R05



KNOLLTEXTILES

Nucraft is pleased to have partnered with KnollTextiles to offer a concise selection of standard fabrics pre-approved for use on our products, with prices that are figured into our graded-in system. We've carefully curated a selection of each of the textile's color lines to coordinate with our materials offering. However, all colorways are approved and available as standard. Please contact fabric manufacturer for sampling support.

All tackzone fabrics are applied railroaded

KnollTextiles Beacon | W1597 | Grade A

Spotlight	1
Tusk	2
Fossil	3
Marsh	4
Saffron	5
Hotshot	6
Bonfire	7
Reef	8
Nile	9
Putty	10
Cool Gray	11
Dust	12

KnollTextiles Reflect | W884 | Grade B

Ice	1A
Titanium	2A
Sterling*	3A
Ecru	5A
Ember	9A
Target	10A
Sharkskin	13A
Lagoon	14A

*Default Fabric

GRADED-IN FABRIC PROGRAM

Top quality upholstery and fabrics have been graded into the price list. We work with various distributors and now offer a larger selection of fabrics. For a current list of graded-in manufacturers, check our website at www.nucraft.com

NET PRICE PER YARD	NUCRAFT GRADE
\$0 - \$25.00	A
\$25.01 - \$40.00	B
\$40.01 - \$55.00	C
\$55.01 - \$70.00	D
\$70.01 - \$85.00	E
\$85.01 - \$100.00	F
\$100.01 - \$115.00	G
\$115.01 - \$130.00	H

For additional information on our graded-in fabrics program, please go to www.nucraft.com.