

MERINO COLLECTION™

Planning Guide + Price List

QUICK LINKS

[PLANNING GUIDE](#)[MERINO TYPICALS](#)[MERINO PRICING](#)[SMALL MEETING TABLES](#)[POWER AND DATA OPTIONS](#)[GENERAL INFORMATION](#)[FINISH INFORMATION](#)[SURFACE MATERIALS](#)



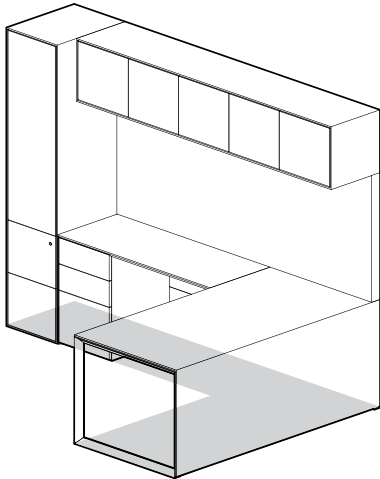
CREATE A LAYOUT: L-SHAPE CONFIGURATION

There are four primary types of Merino Collection workstation configurations: L-Shape, U-Shape, Freestanding, and T-Shape. The specification process for U-Shape configurations is outlined below with additional detail devoted to components.

L-SHAPE CONFIGURATION

STEP 1. SELECT A CONFIGURATION

It's important to first choose the type of L-shape configuration. The L-shape configuration can consist of a Single Pedestal Desk with a Return (shown to the right) or a Side Credenza with a Run-Off Desk.

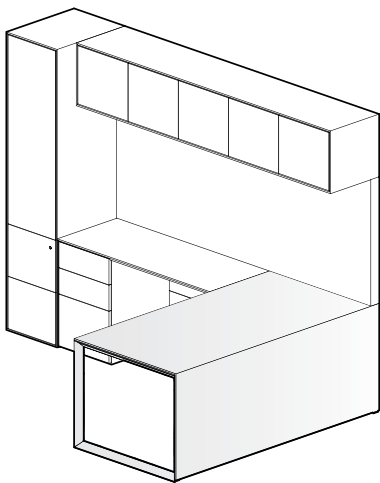


STEP 2. SELECT THE DESK

Once you've determined which type of L-Shape configuration will serve as the basis of your Merino Collection workstation, you're ready to specify your first individual component: The Desk.

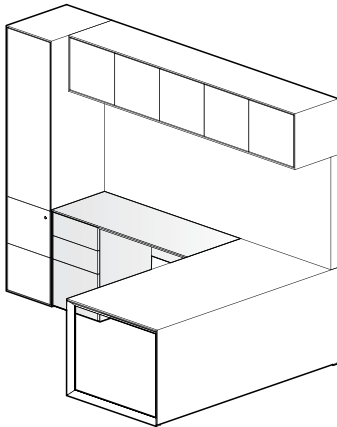
For the L-Shape configuration with a Single Pedestal Desk (shown to the right) select the worksurface size, support options (a Corner Support **MUST** be specified as one of the options) and the modesty panel option.

For the L-Shape configuration with a Side Credenza and Run-Off Desk, specify the Run-Off Desk size, Support, and Modesty panel.





CREATE A LAYOUT: L-SHAPE CONFIGURATION

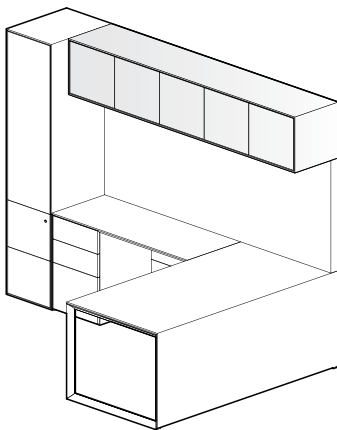


STEP 3. SELECT A CREDENZA OR RETURN

You'll next choose a Credenza or Return.

For Single Pedestal Desk applications (shown to the right) you'll next choose a return. The return connects to the Single Pedestal Desk. You'll need to specify the support(s) for the other side of the return and the appropriate size Access Panel. The support(s) and Access Panel should fill the space below the Return.

For Run-Off Desk applications you'll select a side credenza. Specify the desired size worksurface, the supports for each end of the Credenza and an Access Panel. The support(s) and Access Panel should fill the space below the Credenza worksurface. A corner support must be selected to support the end of the Credenza where the Run-Off Desk will be located.

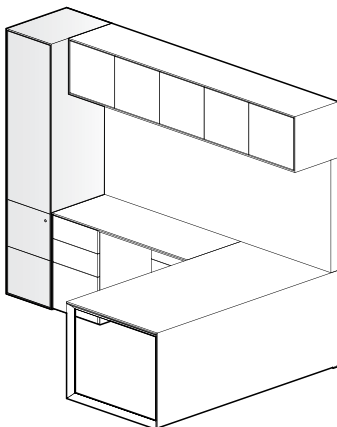


STEP 4. SELECT THE OVERHEAD UNIT (OPTIONAL)

Merino Collection offers wall-mounted Overhead units only.

The Overhead mounts above the Side Credenza or Single Pedestal Desk and Return Combination (shown to the right). The length must be equal-length to the surface combination below.

Tackboard length must be equal to overhead length.



STEP 5. SELECT TOWERS (OPTIONAL)

Available in two heights and multiple widths Merino Towers offer additional storage options.

STEP 6. SELECT TABLES, ADDITIONAL STORAGE, AND ACCESSORIES

Complete the office layout with X-base meeting tables, Mobile Pedestals, Bookcases, Freestanding Lateral Files, and other accessories.



CREATE A LAYOUT: U-SHAPE CONFIGURATION

There are four primary types of Merino Collection workstation configurations: L-Shape, U-Shape, Freestanding, and T-Shape. The specification process for U-Shape configurations is outlined below with additional detail devoted to components.

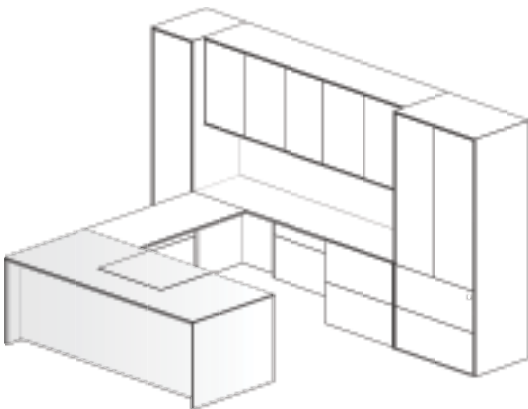
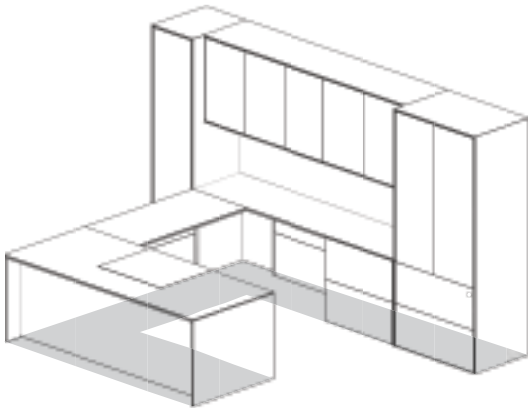
U-SHAPE CONFIGURATION

STEP 1. SELECT A CONFIGURATION

It's important to first choose the type of U-shape configuration that will best suit the end user's requirements: Side U-shape or Back U-shape.

The Side U-shape configuration consists of a Side Credenza, Run-Off Desk, and Run-Off Back Credenza.

The Back U-shape configuration consists of a Single Pedestal Desk, Bridge, and Back Credenza (shown to the right).

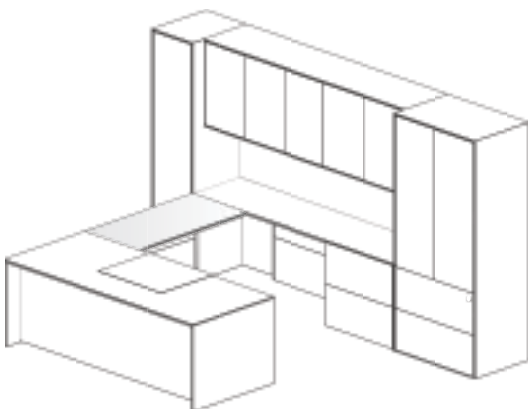


STEP 2. SELECT THE DESK

Once you've determined which type of L-Shape configuration will serve as the basis of your Merino Collection workstation, you're ready to specify your first individual component: The Desk.

For the L-Shape configuration with a Single Pedestal Desk (shown to the right) select the worksurface size, support options (a Corner Support MUST be specified as one of the options) and the modesty panel option.

For the L-Shape configuration with a Side Credenza and Run-Off Desk, specify the Run-Off Desk size, Support, and Modesty panel.



STEP 3. SELECT THE BRIDGE OR RUN-OFF CREDENZA

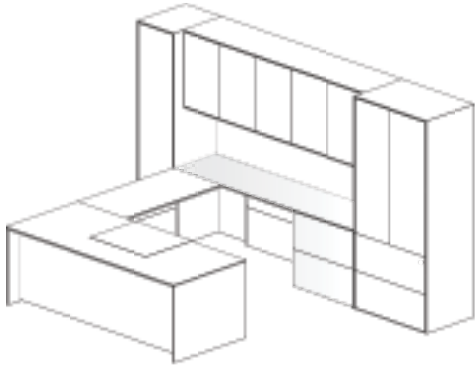
Next you can specify a Bridge or Side Credenza, depending on which type of U-Shape configuration you've selected.

For the side U-shape configuration you'll specify the Run-Off Back credenza next, which is supported on one end by the side Credenza. Select the worksurface size, the support(s) for the unsupported end and an Access Panel. The support(s) and Access Panel should fill the space below the credenza worksurface.

For the back U-shape configuration (shown to the right) you'll next specify a Bridge. The Bridge is positioned between the Single Pedestal Desk and Back Credenza. Specify Bridge size and Access Panel for under the Bridge. The size of the Access Panel Must match the size of the Bridge.



CREATE A LAYOUT: U-SHAPE CONFIGURATION



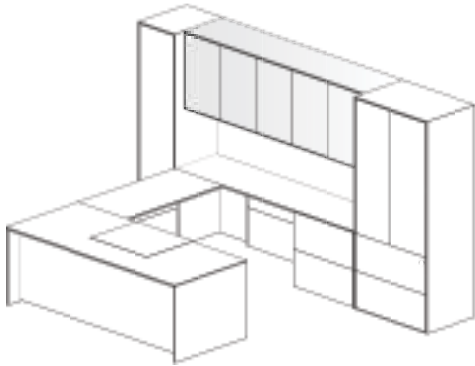
STEP 4. SELECT THE FINAL CREDENZA

Next you can specify a Side Credenza or Back Credenza, depending on which type of U-Shape configuration you've selected.

The side U-shape configuration features a Side Credenza, which supports one end of the Run-Off Desk and Run-Off Back Credenza.

The back U-shape configuration features a Back Credenza, which supports one end of the Bridge (shown above).

For both, choose the desired size worksurface, the supports for each end of the Credenza and an Access Panel. The support(s) and Access Panel should fill the space below the Credenza worksurface. A corner support must be selected to support the end(s) of the Credenza that will support the Run-Off Desk, Run-Off Back Credenza, or Bridge.

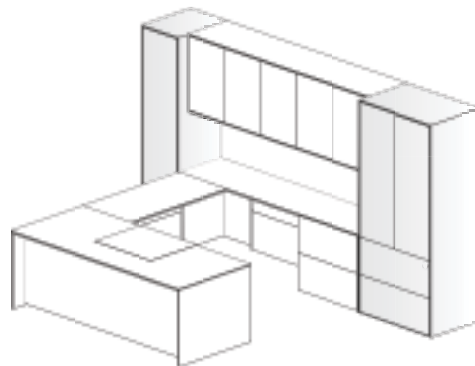


STEP 5. SELECT THE OVERHEAD UNIT

Merino Collection offers wall-mounted Overhead units only.

The Overhead mounts above the Side Credenza or Back Credenza. The length must be equal-length to the surface combination below.

Tackboard length must be equal to overhead length.



STEP 6. SELECT TOWERS (OPTIONAL)

Available in two heights and multiple widths Merino Towers offer additional storage options.

STEP 7. SELECT TABLES, ADDITIONAL STORAGE, AND ACCESSORIES

Complete the office layout with X-base meeting tables, Mobile Pedestals, Bookcases, Freestanding Lateral Files, and other accessories.



CREATE A LAYOUT: FREESTANDING CONFIGURATION

There are four primary types of Merino Collection workstation configurations: L-Shape, U-Shape, Freestanding, and T-Shape. The specification process for Freestanding configurations is outlined below with additional detail devoted to components.

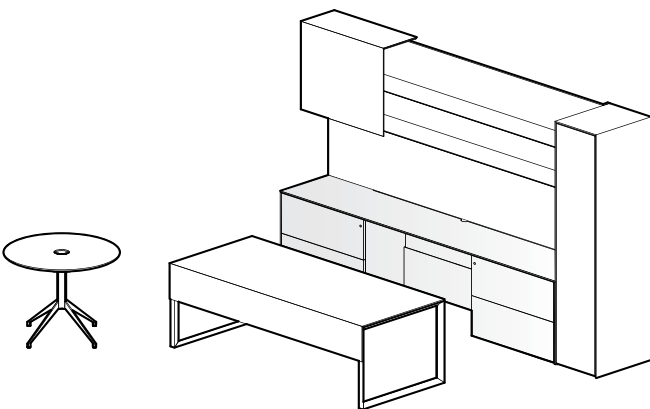
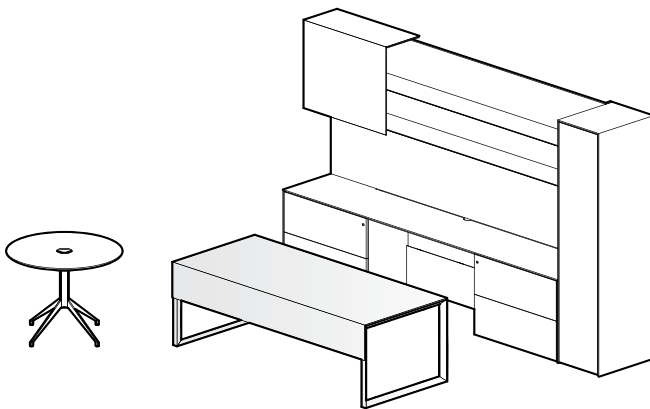
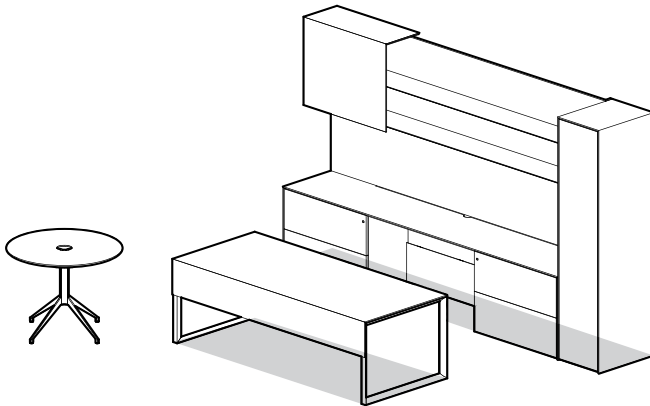
FREESTANDING CONFIGURATION

STEP 1. SELECT A CONFIGURATION

It's important to first choose the type of Freestanding configuration that will best suit the end user's requirements.

A Freestanding configuration consists of a Freestanding Desk, Freestanding Credenza, and an optional Overhead Unit and Tower.

Merino offers both a Freestanding and an Ellipse Table Desk option.



STEP 2. SELECT THE DESK

Once you've determined which type of Freestanding configuration will serve as the basis of your Merino Collection workstation, you're ready to specify your first individual component: The Desk.

Freestanding Desks provide a range of sizes and options and allow features to be optioned on to the base model, including a Leather Power Blotter, Mitered Signature Organizer Drawer and Polished Chrome legs.

The Ellipse x-base table desk (specified in the Table Section) provides an elegant alternative to the rectangular freestanding desk.

STEP 3. SELECT THE CREDENZA

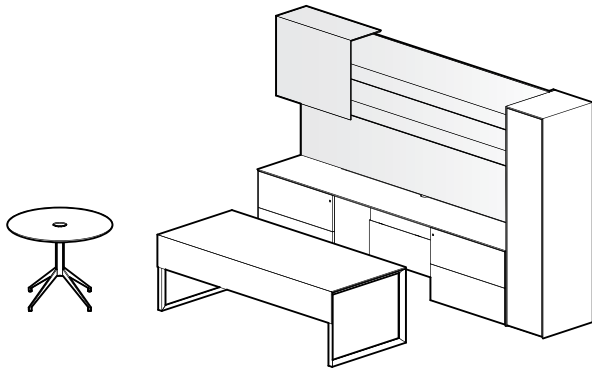
Next you can specify a Freestanding Credenza.

The Freestanding Credenza includes the top, individual storage components and an Access Panel.

Choose the desired size worksurface, the supports for each end of the Credenza and an Access Panel. The support(s) and Access Panel should fill the space below the Credenza worksurface.



CREATE A LAYOUT: FREESTANDING CONFIGURATION

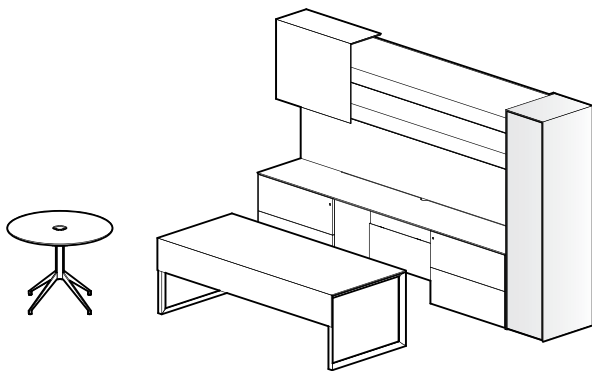


STEP 4. SELECT THE OVERHEAD UNIT (OPTIONAL)

Merino Collection offers wall-mounted Overhead units only.

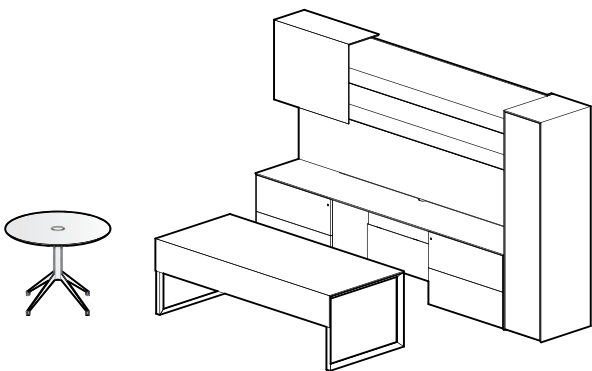
The Overhead mounts above the Freestanding Credenza. The length must be equal-length to the Credenza surface below.

Tackboard length must be equal to overhead length. Desk, Run-Off Back Credenza, or Bridge.



STEP 5. SELECT THE TOWERS (OPTIONAL)

Available in two heights and multiple widths Merino Towers offer additional storage options.



STEP 6. SELECT TABLES, ADDITIONAL STORAGE, AND ACCESSORIES

Complete the office layout with X-base meeting tables, Mobile Pedestals, Bookcases, Freestanding Lateral Files, and other accessories.



CREATE A LAYOUT: T-SHAPE CONFIGURATION

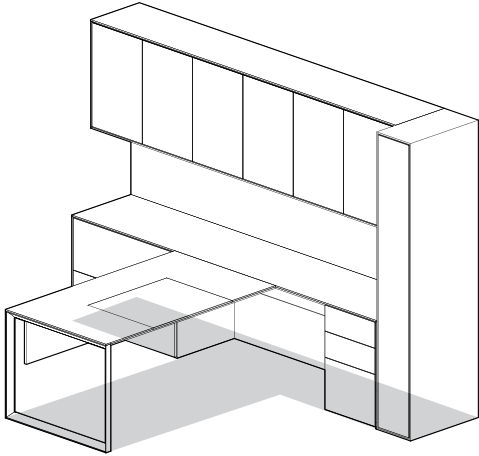
There are four primary types of Merino Collection workstation configurations: L-Shape, U-Shape, Freestanding, and T-Shape. The specification process for T-Shape configurations is outlined below with additional detail devoted to components.

T-SHAPE CONFIGURATION

STEP 1. SELECT A CONFIGURATION

It's important to first choose the type of T-Shape configuration that will best suit the end user's requirements. Consider where the run-off worksurface should be placed and orientation of the user, this will be required to determine credenza support components in step 3.

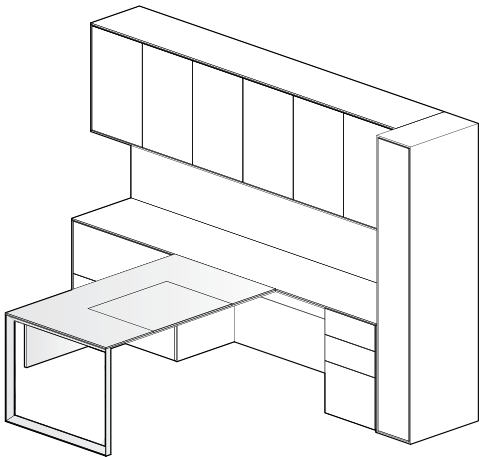
A T-Shape configuration consists of a Side Credenza with a Run-Off Desk.



STEP 2. SELECT THE DESK

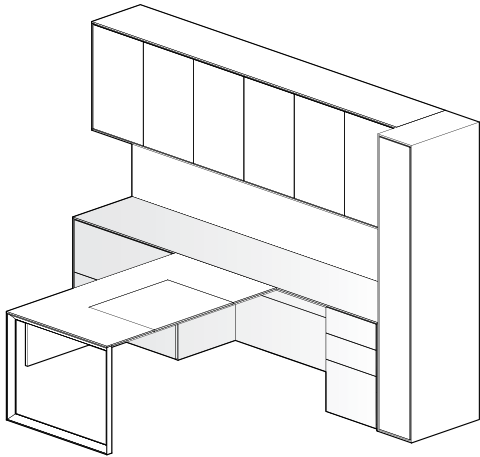
Once you've determined the general orientation of your T-Shape Configuration you're ready to select the desk.

The T-Shape application utilizes a Run-Off Desk, specify the Run-Off Desk size, Support, and Modesty panel.





CREATE A LAYOUT: T-SHAPE CONFIGURATION

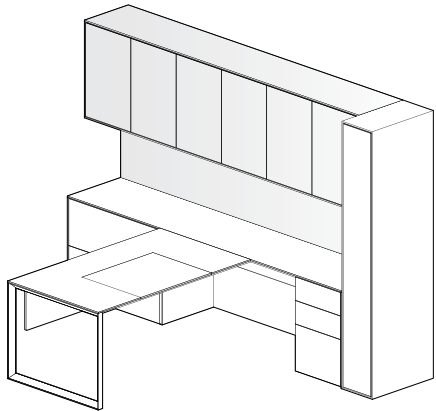


STEP 3. SELECT THE CREDENZA SHELF

Next you can specify a Side Credenza.

The Side Credenza includes the top, individual storage components and an Access Panel.

Choose the desired size worksurface, the supports for each end of the Credenza and an Access Panel. The support(s) and Access Panel should fill the space below the Credenza worksurface. A minimum of 36" knee space is required for attaching the Run-Off Desk in a T-Shape orientation.

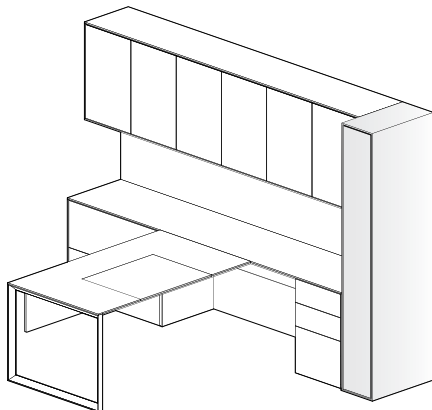


STEP 4. SELECT THE OVERHEAD UNIT (OPTIONAL)

Merino Collection offers wall-mounted Overhead units only.

The Overhead mounts above the Side Credenza. The length must be equal-length to the surface below.

Tackboard length must be equal to overhead length.



STEP 5. SELECT TOWERS (OPTIONAL)

Available in two heights and multiple widths Merino Towers offer additional storage options.

STEP 6. SELECT TABLES, ADDITIONAL STORAGE, AND ACCESSORIES

Complete the office layout with X-base meeting tables, Mobile Pedestals, Bookcases, Freestanding Lateral Files, and other accessories.



TECHNOLOGY ACCOMMODATION

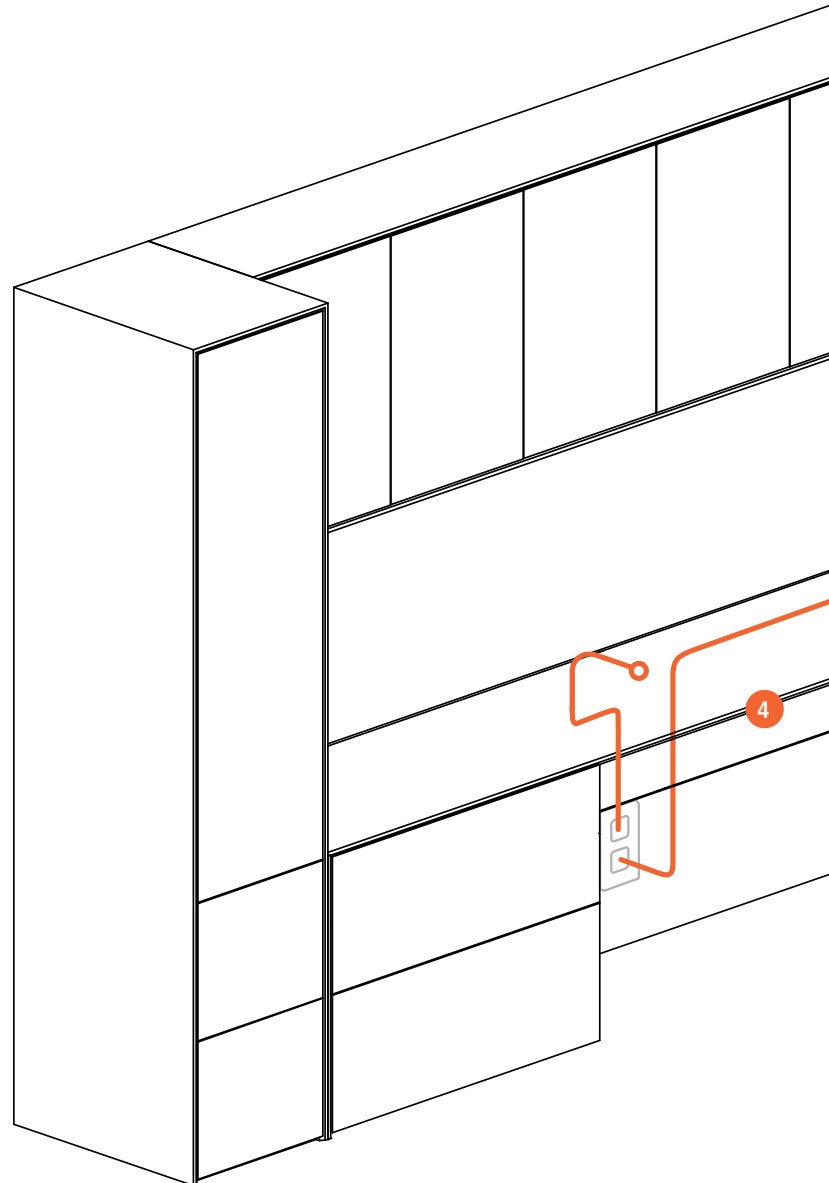
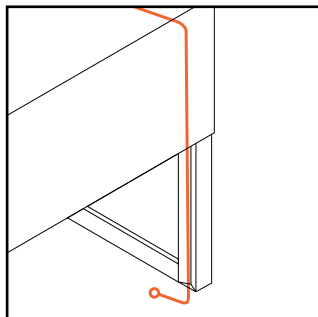
Merino provides well-planned wire-management for each component. Its standard technology accommodation offering meets most needs, and additional, scalable options are available to support even the most technology-intensive environments.

- 1 WORK SURFACE GROMMETS.**
 Grommets can be specified on the worksurfaces of desks, credenzas, bridges, and returns. Grommets can be specified in right, left, or center positions of desks, credenzas and returns, and in center position on bridges.
- 2 J-CHANNEL.**
J-Channel provides wire management beneath Merino worksurfaces.

OPTIONAL TECHNOLOGY ACCOMMODATIONS

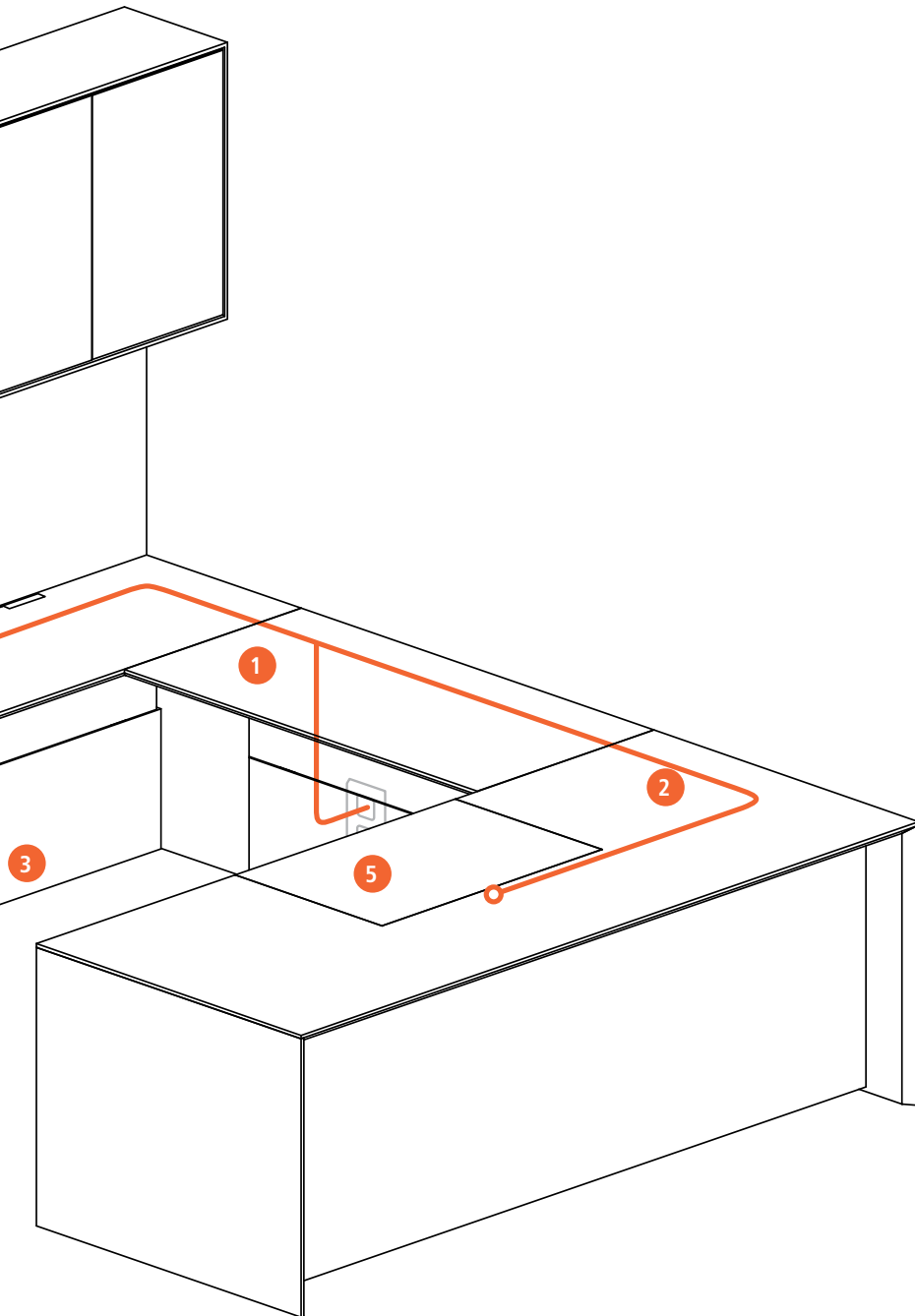
Technology Pedestal with Power Drawer and Door.
 Wire management openings are located in the bottom of all pedestals. Opening on back of pedestal on credenzas and returns provides proper ventilation. Tech Pedestals on desks have oversized opening on user's side that allows wire management in addition to ventilation.

Wire Management Shroud.
 Metal Bevel Legs with half-high modesty include a wire management shroud that attaches to the inside of the leg to manage cables down the leg to the floor. Finish of the shroud will match the finish of the leg.





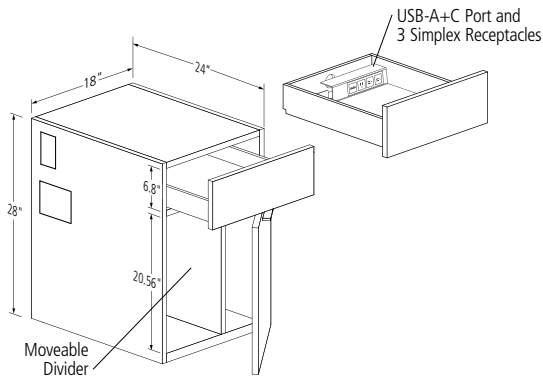
TECHNOLOGY ACCOMMODATION



- 3 WIRE MANAGEMENT CAVITY.**
The cavity behind Merino Overheads and corresponding credenzas, returns and bridges allows simple wire management.
- 4 ACCESS PANELS.**
Optional flip-down wire management Access Panel is available on back credenzas, returns, and bridges.
- 5 LEATHER POWER BLOTTER.**
Optional on Veneer Tops, the Leather Power Blotter slides back to reveal a Power Access trough that includes 3 simplex receptacles and 1 USB-A+C.



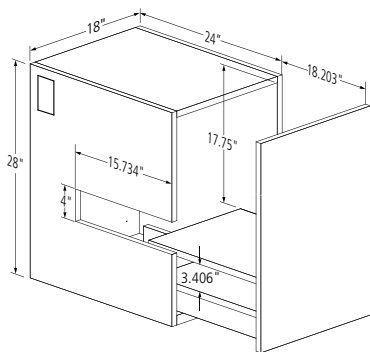
TECHNOLOGY ACCOMMODATION



TECH PEDESTAL WITH POWER DRAWER AND DOOR

The Tech Pedestal provides CPU storage on one side of a moveable dividing panel, and an open section on the other side for cord/cable storage. The top drawer includes three simplex receptacles and one USB-A+C port. Grommet at the top allows easy wire management. Thermostatically controlled fan provides temperature regulation. Tech Pedestals on desks have oversized opening on user's side that allows wire management in addition to ventilation.

Note: Image to the right is for reference only, overall Pedestal dimensions are for Credenza Pedestal.



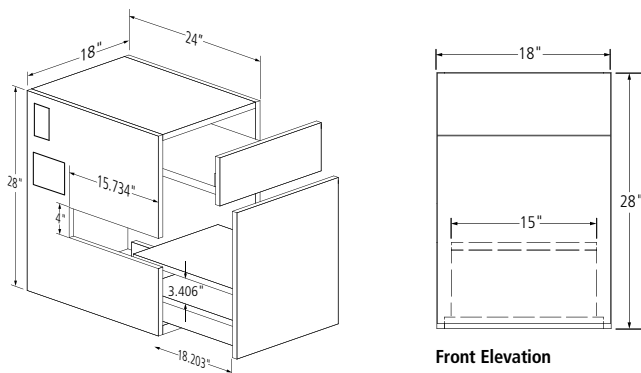
PRINTER PEDESTAL

The Printer Pedestal accommodates most inkjet printers. The pedestal's side opening provides access to printed documents without the need to open the pedestal drawer. Grommet in top and side of pedestal provides easy wire management.

Consult Printer Pedestal dimension information to ensure that the pedestal will accommodate your printer.

Printer Tray Dimensions: 15" wide x 19" deep x 16.1875" high

Note: Image to the right is for reference only, overall Pedestal dimensions are for Credenza Pedestal.



LAPTOP/PRINTER PEDESTAL

The Laptop/Printer Pedestal provides laptop storage in the top drawer and accommodates most inkjet printers in the lower drawer. The laptop drawer provides convenient storage and concealment of your laptop, freeing up valuable worksurface space. The pedestal's side opening provides access to printed documents without the need to open the pedestal drawer. Grommet in top and side of pedestal provides easy wire management. Thermostatically controlled fan provides temperature regulation.

Consult Printer Pedestal dimension information to ensure that the pedestal will accommodate your printer.

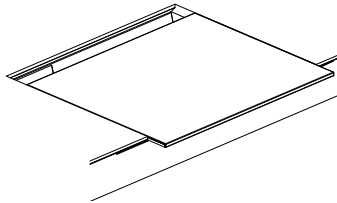
Printer Tray Dimensions: 15" wide x 19" deep x 12.125" high

Note: Image to the right is for reference only, overall Pedestal dimensions are for Credenza Pedestal.



PERSONALIZED FEATURES

The Merino Collection offers elements of personalization and refined details that elevate the warmth and performance of an executive casegood.



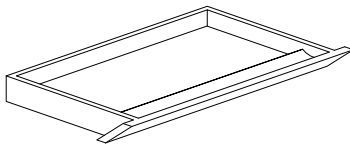
LEATHER POWER BLOTTER

The Merino Leather Power Blotter is integrated directly into the worksurface and slides back to reveal power and data access and cable management. The Leather Power Blotter is only available on wood worksurfaces. Power Access trough includes 3 simplex receptacles and 1 USB-A+C. The blotter is 28" w x 21" d on a 30" deep worksurface and 28" w x 23" d on a 36" deep worksurface. Note: Image to the right is for reference only, overall Pedestal dimensions are for Credenza Pedestal.

SIGNATURE ORGANIZER DRAWER

The Merino Signature Organizer Drawer features a mitered edge construction and is leather-lined with polished chrome dividers. The organizer drawer provides an elegant place for neatly organizing personal items and technology devices.

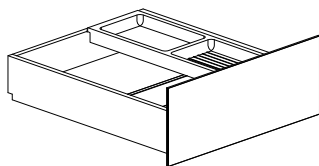
Overall dimensions are 36" w x 15" d x 1 7/8" h



ORGANIZER DRAWER

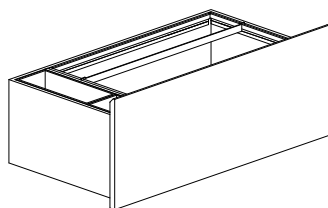
The Merino Organizer Drawer is leather-lined. The Organizer Drawer provides an elegant place for neatly organizing personal items and technology devices. The Organizer drawer is suitable for installation below desk work surfaces 30" deep or greater and can be added to Merino worksurfaces in the field.

Overall dimensions are 18" w x 15" d x 1 7/8" h



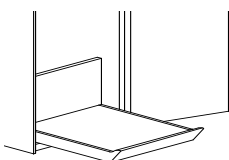
LEATHER-LINED BOX DRAWERS

Merino Box Drawers are leather lined and provide a neat way to organize and protect personal items and technology devices. All Merino Series Box Drawers include the leather liner (leather can be optioned off). The Top Box Drawer will also include a polished chrome divider and painted pencil tray.



LATERAL FILE WITH ORGANIZER BOXES

A Lateral File with Organizer Boxes provides a space to organize and store personal accessories.



SLIDE-OUT SHOE TRAY

Merino 18" and 36" Wardrobe towers include a slide out shoe tray and amenities like bag hooks, personal mirror, and hanger bar to provide a home for personal bags or a change of wardrobe.



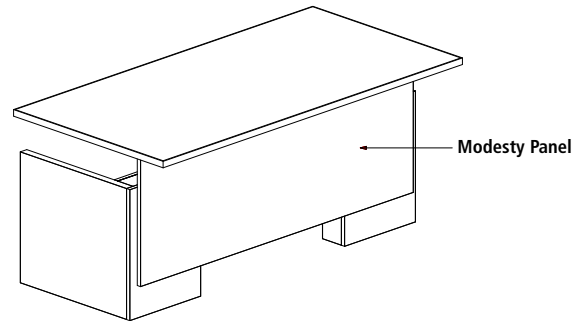
ADJUSTABLE HEIGHT DESKS

The electronic Adjustable Height Merino desk is available in two standard base styles; a desk shell and a metal leg version. Both versions are Freestanding desks and can be integrated into other product configurations through the Nucraft iSpec service. The Metal Leg version is also available as a Run-Off desk for T-Shaped applications.

FREESTANDING ADJUSTABLE HEIGHT DESK SHELL

This rectangular desk shell features two panel legs and an inset full-height front modesty panel. The lift columns attach to the desk shell and are shrouded on the interior with veneer panels. When in the raised position, the modesty panel maintains the clean, integrated aesthetic.

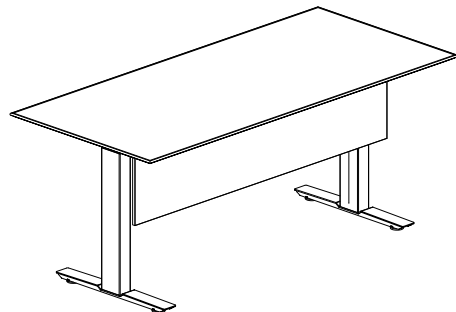
- Adjustment range is from 29-1/2" to 45"
- Controller features digital height readout and four programmable stops
- See page 36 for available sizes and specification requirements
- Lift mechanisms are designed to support all desk components, plus a maximum of 100lbs of additional weight



FREESTANDING ADJUSTABLE HEIGHT DESK

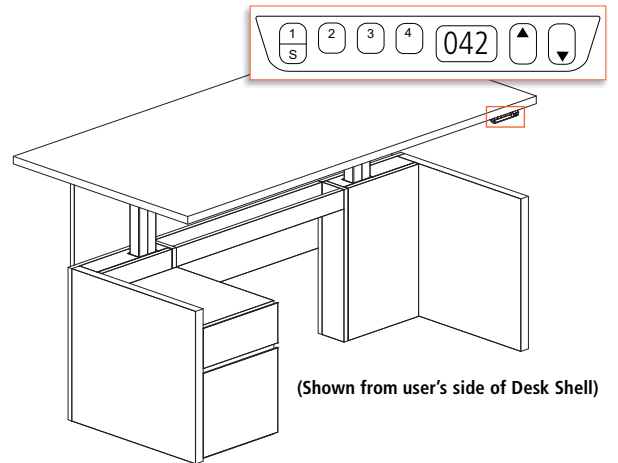
This rectangular worksurface features a T-leg metal base and an optional half-height modesty.

- Adjustment range is from 27-1/2" to 46"
- Controller features digital height readout and four programmable stops
- See page 38 for available sizes and specification requirements
- Lift mechanisms are designed to support all desk components, plus a maximum of 100lbs of additional weight



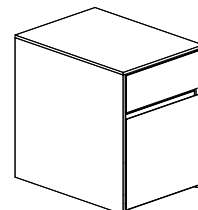
PROGRAMMABLE CONTROLLER

The programmable controller features up/down buttons, four programmable preset stops, and a digital readout that displays the worksurface height.



FREESTANDING PEDESTAL

Optional box/ file storage pedestal that fits perfectly within the panel support, pedestal includes pencil tray.



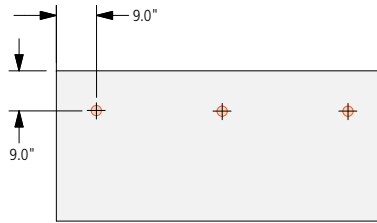


WORK SURFACE POWER OPTIONS

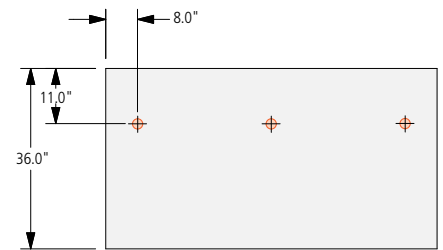
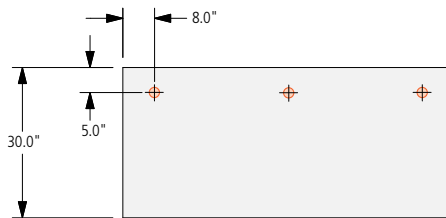
GROMMET

- Grommet is 2" diameter
- Available in Powder coat, Clear Anodized and Polished Chrome (upcharge applies)
- Height adjustable Bridges, Returns, and Credenzas are available with center grommet location only
- Grommets are included as an option within each work surface
- Grommets may not be placed directly over the end panel of a support pedestal below
- Only one Grommet or Spec may be specified per work surface
- End Grommets are not available on Run-Off Work Surfaces adjacent to a Side Credenza

Freestanding, Single Pedestal and Run-Off Desk



Height Adjustable Desk



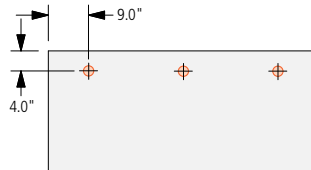
POWER SPEC AND USB SPEC

This compact unit allows for the addition of power or data to a work surface in a discreet way. Available in round or square shapes, and multiple finish options.

- Power or USB Spec is a work surface accessory, specified in addition to the work surface.
- Only one Grommet or Spec may be specified per work surface
- Power or USB Spec may not be placed directly over the end panel of a support pedestal below
- Grommet, Power or USB Spec may not be specified in conjunction with Power Blotter

Run-Off Return / Credenza

(Work surfaces 42"-wide to 54"-wide have only one center grommet)



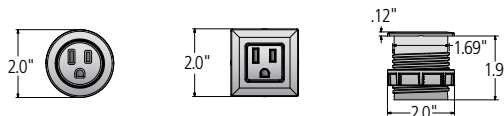
Bridge



Power Spec

- Spill-proof power simplex
- Compact design
- 1-3/4" cutout for installation
- UL Listed

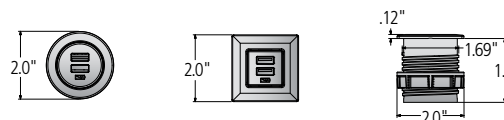
Power Spec



USB Spec

- Used to charge devices or transfer data
- Compact design
- Offered with USB-A+C
- 1-3/4" cutout
- UL Listed

USB Spec



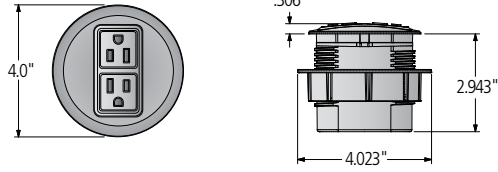


POWER DOT

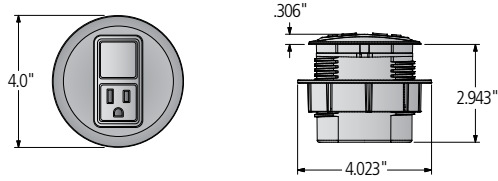
POWER DOT

- Choose Between 3 Configurations:
 - 2 Power Simplex
 - 1 Power Simplex/1 USB-A+C Charging
 - 1 Power Simplex/Blank Plate (for Data)
- Available on meeting tables only
- Centered on Round and Square tables
- Spill Proof Power Simplex
- Compact Design
- UL Listed

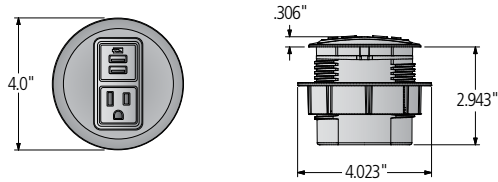
PDOT1



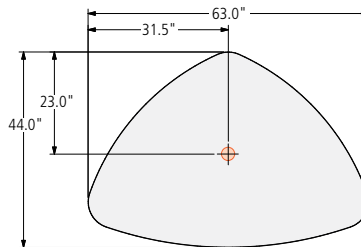
PDOT2



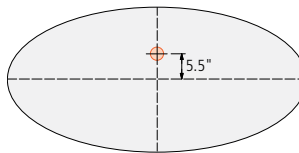
PDOT3



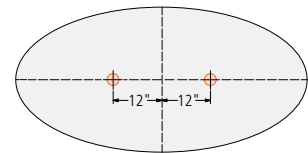
Soft Triangle Power Dot Location



PD-36 Ellipse Power Dot Location



PD-43 Ellipse Power Dot Location



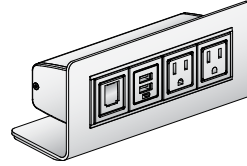


FREESTANDING POWER OPTION: TECH ZONE

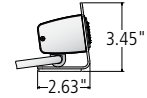
TECH ZONE

Simple, easy to use and portable, this freestanding table top power option allows you to easily charge all of your devices.

Available in two configurations with a variety of power and data connectivity options. Includes a 72"-long plug-in infeed cord.



Tech Zone - Side View



ZONE-USB-C

Includes two simplex receptacles, one data port and one dual charging USB-A+C charging port

ZONE-USB-C



ZONE-DATA

Includes two simplex receptacles and two open data ports

ZONE-DATA





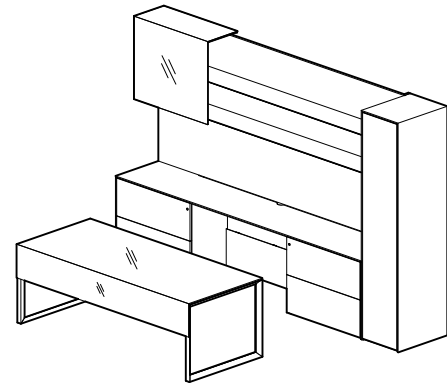
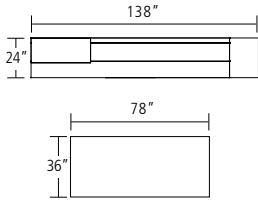
MERINO[®] TYPICALS



Merino Edge Profile
-MC



FREESTANDING CONFIGURATIONS

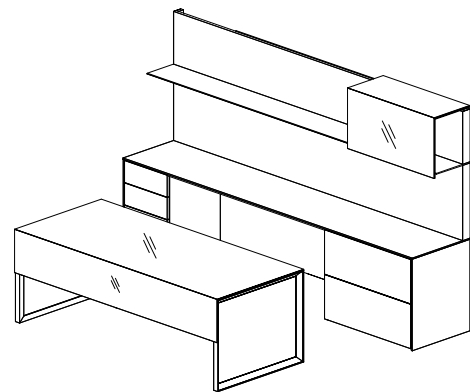
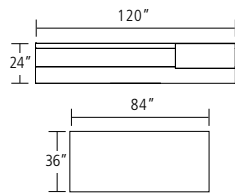


TYPICAL MER-01-FS

COMPONENT	MODEL #	DIMENSIONS	DESCRIPTION	PRICE
Work surface	MCF-T-3678-G	36 x 78	Glass Work surface	7,610
Work surface Support - Metal Bevel Leg	MC-ML-36-L	2 x 36 x 28	Metal Bevel Leg	1,646
Work surface Support - Metal Bevel Leg	MC-ML-36-R	2 x 36 x 28	Metal Bevel Leg	1,646
Signature Organizer Drawer	MC-SOD-V		Signature Organizer Drawer	1,887
Modesty Panel	-MPGH		Glass Half Modesty Panel	2,465
Freestanding Credenza	MCFC-24120-V	24 x 120	Freestanding Credenza Top	4,008
Work surface Support - Credenza Left	MCNR-LF-3624-V	36 x 24 x 28	Merino Series Lateral File	4,420
Access Panel - Credenza	MC-AP-48	48 x 26	Access Panel - Credenza	1,246
Work surface Support - Credenza Right	MCNR-LF-3624-V	36 x 24 x 28	Merino Series Lateral File	4,420
Overhead	MCOW-SH136-120D-G	120 x 80 x 14	Overhead - Two Aluminum Shelves - 36" Glass Sliding Hood - Double Height	15,500
Tackboard - Overhead	MCWT-120-21-COM	120 x 21	Tackboard	1,083
Tower	MCTW-1880R-V	18 x 80 x 24	Merino Series Wardrobe with Shoe Tray and Mirror	6,190

Please Note: Pedestals and Towers include integrated pulls.

Private Office List Price (as shown): \$52,121



TYPICAL MER-02-FS

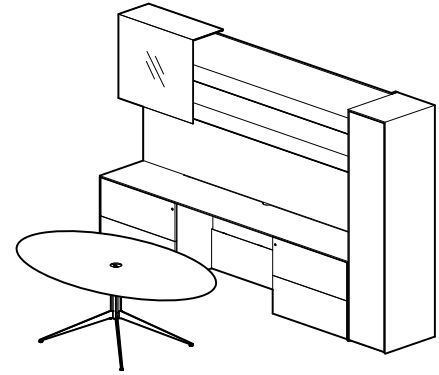
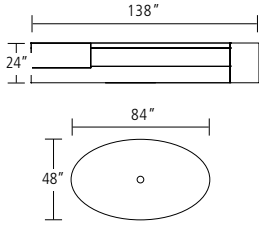
COMPONENT	MODEL #	DIMENSIONS	DESCRIPTION	PRICE
Work surface	MCF-T-3684-G	36 x 84	Glass Work surface	8,095
Work surface Support - Metal Bevel Leg	MC-ML-36-L	2 x 36 x 28	Metal Bevel Leg	1,646
Work surface Support - Metal Bevel Leg	MC-ML-36-R	2 x 36 x 28	Metal Bevel Leg	1,646
Signature Organizer Drawer	MC-SOD		Signature Organizer Drawer	1,887
Modesty Panel	-MPGH		Glass Half Modesty Panel	2,465
Freestanding Credenza	MCFC-24120-V	24 x 120	Freestanding Credenza Top	4,008
Work surface Support - Credenza Left	MCNR-BBF-1824-L-V	18 x 24 x 28	Merino Series Box, Box, File Pedestal with Pencil Tray; Leather-Lined Box Drawers	4,164
Access Panel - Credenza	MC-AP-66	66 x 26	Access Panel - Credenza	1,437
Work surface Support - Credenza Right	MCNR-LF-3624-R	36 x 24 x 28	Merino Series Lateral File	4,420
Overhead	MCOW-SH136-120S-G	120 x 70 x 14	Overhead - One Aluminum Shelf - 36" Glass Sliding Hood - Single Height	12,180
Tackboard - Overhead	MCWT-120-23-COM	120 x 23	Tackboard	1,112

Please Note: Pedestals and Towers include integrated pulls.

Private Office List Price (as shown): \$43,060



FREESTANDING CONFIGURATIONS

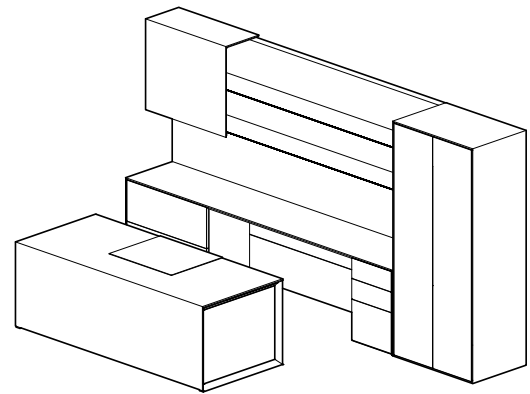
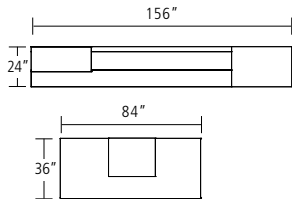


TYPICAL MER-03-FS

COMPONENT	MODEL #	DIMENSIONS	DESCRIPTION	PRICE
Ellipse Table Desk	MCEL-4884-VV	48 x 84	Ellipse Table Desk with Polished Stainless X-base with Veneer Shroud.	13,192
Freestanding Credenza	MCFC-24120-V	24 x 120	Freestanding Credenza Top	4,008
Work surface Support - Credenza Left	MCNR-LF-3624-L	36 x 24 x 28	Merino Series Lateral File	4,420
Access Panel - Credenza	MC-AP-48	48 x 26	Access Panel - Credenza	1,246
Work surface Support - Credenza Right	MCNR-LF-3624-R	36 x 24 x 28	Merino Series Lateral File	4,420
Overhead	MCOW-SH136-120D-G	120 x 80 x 12	Overhead - Two Aluminum Shelves - 36" Glass Sliding Hood - Double Height	15,500
Tackboard - Overhead	MCWT-120-21-COM	120 x 14	Tackboard	1,083
Tower	MCTW-1880-R	18 x 80 x 24	Merino Series Wardrobe with Shoe Tray and Mirror	6,190

Please Note: Pedestals and Towers include integrated pulls.

Private Office List Price (as shown): \$50,099



TYPICAL MER-04-FS

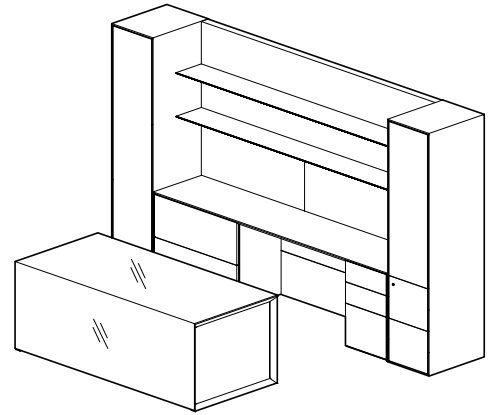
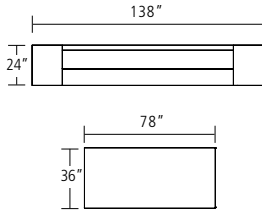
COMPONENT	MODEL #	DIMENSIONS	DESCRIPTION	PRICE
Work surface	MCF-T-3684-V	36 x 84	Veneer Work surface	4,049
Work surface Support - Metal Bevel Leg	MC-ML-36-L	2 x 36 x 28	Metal Bevel Leg	1,646
Work surface Support - Metal Bevel Leg	MC-ML-36-R	2 x 36 x 28	Metal Bevel Leg	1,646
Power Blotter	-LB		Power Blotter	1,560
Signature Organizer Drawer	MC-SOD		Signature Organizer Drawer	1,887
Modesty Panel	-MPVF		Veneer Full Modesty Panel	1,475
Freestanding Credenza	MCFC-24120-V	24 x 120	Freestanding Credenza Top	4,008
Work surface Support - Credenza Left	MCNR-LF-3624-L	36 x 24 x 28	Merino Series Lateral File	4,420
Access Panel - Credenza	MC-AP-66	66 x 26	Access Panel - Credenza	1,437
Work surface Support - Credenza Right	MCNR-BBF-1824-R	18 x 24 x 28	Merino Series Box, Box, File Pedestal with Pencil Tray; Leather-Lined Box Drawers	4,164
Overhead	MCOW-SH136-120D-S	120 x 80 x 12	Overhead - Two Aluminum Shelves - 36" Painted Sliding Hood - Double Height	13,594
Tackboard - Overhead	MCWT-120-21-COM	120 x 14	Tackboard	1,083
Tower	MCTR-3680-R	36 x 80 x 24	Merino Series Full Height Doors with Wardrobe, Shoe Tray, 2 Box Drawers, Bag Hooks, & 2 Shelves	10,380

Please Note: Pedestals and Towers include integrated pulls.

Private Office List Price (as shown): \$51,349



FREESTANDING CONFIGURATIONS

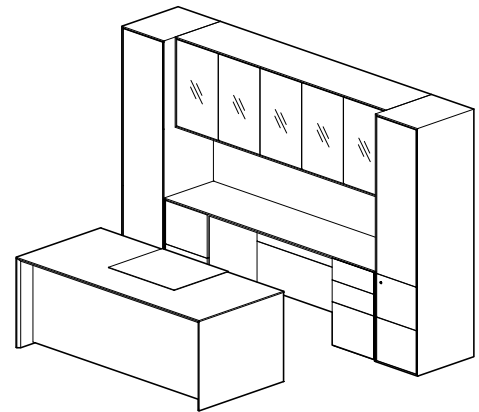
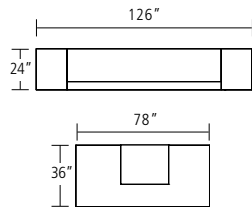


TYPICAL MER-05-FS

COMPONENT	MODEL #	DIMENSIONS	DESCRIPTION	PRICE
Work surface	MCF-T-3678-G	36 x 78	Glass Work surface	7,610
Work surface Support - Metal Bevel Leg	MC-ML-36-L	2 x 36 x 28	Metal Bevel Leg	1,646
Work surface Support - Metal Bevel Leg	MC-ML-36-R	2 x 36 x 28	Metal Bevel Leg	1,646
Signature Organizer Drawer	MC-SOD		Signature Organizer Drawer	1,887
Modesty Panel	-MPGF		Glass Full Modesty Panel	2,951
Freestanding Credenza	MCFC-24102-V	24 x 102	Freestanding Credenza Top	3,483
Work surface Support - Credenza Left	MCNR-LF-3624-L	36 x 24 x 28	Merino Series Lateral File	4,420
Access Panel - Credenza	MC-AP-48	48 x 26	Access Panel - Credenza	1,246
Work surface Support - Credenza Right	MCNR-BBF-1824-R	18 x 24 x 28	Merino Series Box, Box, File Pedestal with Pencil Tray; Leather-Lined Box Drawers	4,164
Overhead	MCOW-S-102D	102 x 80 x 12	Overhead - Two Aluminum Shelves - Double Height	10,326
Tackboard - Overhead	MCWT-102-21-COM	102 x 14	Tackboard	999
Tower	MCTW-1880-L	18 x 80 x 24	Merino Series Wardrobe with Shoe Tray and Mirror	6,190
Tower	MCTSF-1880-R	18 x 80 x 24	Merino Series File, File with Upper Door with Shelves	7,468

Please Note: Pedestals and Towers include integrated pulls.

Private Office List Price (as shown): **\$54,036**



TYPICAL MER-06-FS

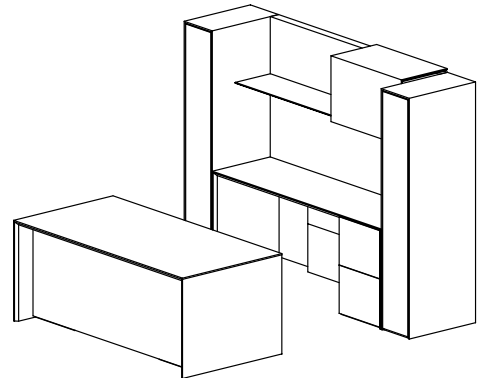
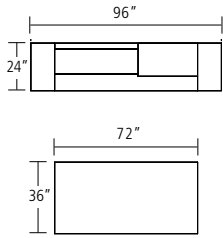
COMPONENT	MODEL #	DIMENSIONS	DESCRIPTION	PRICE
Work surface	MCF-T-3678-V	36 x 78	Veneer Work surface	3,809
Work surface Support - Wood Panel Leg	MC-MPL-36-L	2 x 36 x 28	Wood Panel Leg	1,063
Work surface Support - Wood Panel Leg	MC-MPL-36-R	2 x 36 x 28	Wood Panel Leg	1,063
Signature Organizer Drawer	MC-SOD		Signature Organizer Drawer	1,887
Power Blotter	-LB		Power Blotter	1,560
Modesty Panel	-MPVF		Veneer Full Modesty Panel	1,475
Freestanding Credenza	MCFC-2490-V	24 x 90	Freestanding Credenza Top	3,122
Work surface Support - Credenza Left	MCNR-FF-1824-L	18 x 24 x 28	Merino Series File, File Pedestal	4,164
Access Panel - Credenza	MC-AP-54	54 x 26	Access Panel - Credenza	1,314
Work surface Support - Credenza Right	MCNR-BBF-1824-R	18 x 24 x 28	Merino Series Box, Box, File Pedestal with Pencil Tray; Leather-Lined Box Drawers	4,164
Overhead	MCOW-F-9017D-VG	90 x 80 x 12	Overhead - Full Doors - Glass Doors - Double Height	15,124
Tackboard - Overhead	MCWT-90-21-COM	90 x 21	Tackboard	929
Tower	MCTW-1880-L	18 x 80 x 24	Merino Series Wardrobe with Shoe Tray and Mirror	6,190
Tower	MCTSF-1880-R	18 x 80 x 24	Merino Series File, File with Upper Door with Shelves	7,468

Please Note: Pedestals and Towers include integrated pulls.

Private Office List Price (as shown): **\$53,332**



FREESTANDING CONFIGURATIONS



TYPICAL MER-07-FS

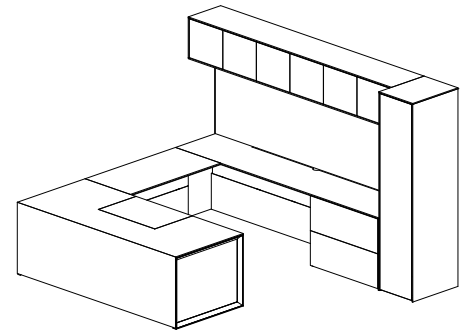
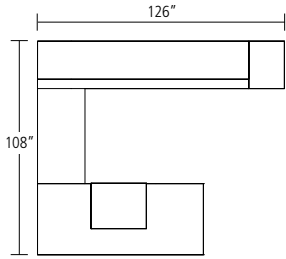
COMPONENT	MODEL #	DIMENSIONS	DESCRIPTION	PRICE
Freestanding Desk	MCF-T-3672-V	36 x 72	Veneer Work surface	3,555
Modesty Panel	-MPVF		Modesty Panel	1,475
Work surface Support - Left	MCNR-BBF-1836	18 x 36 x 28	Box/Box/File	4,705
Work surface Support - Right	MCNR-FF-1836	18 x 36 x 28	File/File	4,705
Freestanding Credenza	MCFC-2472-V	24 x 72	Freestanding Credenza Top	2,558
End Support	MC-ES-1824-V	18 x 24 x 28	End Support	1,255
Work surface Support - Credenza	MCNR-FF-1824-V	18 x 24 x 28	File/File	4,164
Modesty Panel - Credenza	MC-AP-36	36 x 26	Back Panels: Access Panel	1,096
Overhead	MCOW-SH130-72S-V	72 x 70 x 15.75	Aluminum Shelf with 30" Sliding Hood	7,527
Tackboard -Overhead	MCWT-72-23-COM	72 x 23	Tackboard -Overhead	841
Left Structural Tower	MCTW-1270-V	12 x 70.25 x 24	Wardrobe w/ Mirror	5,043
Right Structural Tower	MCTW-1270-V	12 x 70.25 x 24	Wardrobe w/ Mirror	5,043

Please Note: Pedestals and Towers include integrated pulls.

Private Office List Price (as shown): \$41,967



U-SHAPE CONFIGURATIONS

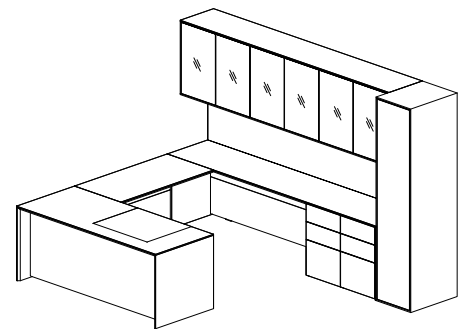
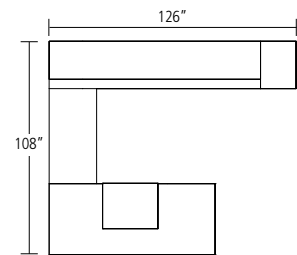


TYPICAL MER-01-U // LEFT-HAND STATION

COMPONENT	MODEL #	DIMENSIONS	DESCRIPTION	PRICE
Single Pedestal Desk	MCD-T-3684-L-V	36 x 84	Rectangle Top	5,112
Modesty Panel - Desk	-MPVF		Veneer Full Modesty Panel	1,475
Power Blotter	-LB		Merino Leather Power Blotter	1,560
Work surface Support - Desk	MC-ML-36-L	2 x 36 x 28	Metal Bevel Leg, Polished Chrome	3,281
Bridge	MCB-2448-V	24 x 48	Bridge Top	1,699
Access Panel - Bridge	MC-AP-48	48 x 26	Access Panel - Bridge	1,246
Back Credenza	MCBC-24108-V	24 x 108	Back Credenza	4,914
Access Panel - Credenza	MC-AP-54	54 x 26	Access Panel - Credenza	1,314
Work surface Support - Credenza	MCNR-LF-3624-R	36 x 24 x 28	Merino Series Lateral File	4,420
Overhead	MCOW-F-10819S-VS	108 x 80 x 17	Overhead - Full Doors - Painted Doors - Single Height 80" High	8,782
Tackboard	MCWT-108-33-COM	108 x 33	Tackboard	1,084
Tower	MCTW-1880-R	18 x 80 x 24	Merino Series Wardrobe with Shoe Tray and Mirror	6,190
Organizer Drawer	MC-OD		Merino Organizer Drawer	1,546

Please Note: Pedestals and Towers include integrated pulls.

Private Office List Price (as shown): \$42,623



TYPICAL MER-02-U // LEFT-HAND STATION

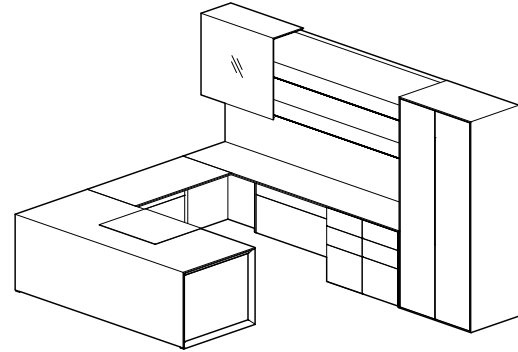
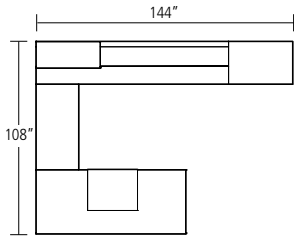
COMPONENT	MODEL #	DIMENSIONS	DESCRIPTION	PRICE
Single Pedestal Desk	MCD-T-3684-L-V	36 x 84	Rectangle Top	5,112
Power Blotter	-LB		Merino Leather Power Blotter	1,560
Modesty Panel - Desk	-MPVF		Veneer Full Modesty Panel	1,475
Work surface Support - Desk	MC-MPL-36-L	2 x 36 x 28	Panel Leg	1,063
Bridge	MCB-2448-V	24 x 48	Bridge Top	1,699
Access panel - Bridge	MC-AP-48	48 x 26	Access Panel - Bridge	1,246
Back Credenza	MCBC-24108-V	24 x 108	Back Credenza	4,914
Access Panel - Credenza	MC-AP-54	54 x 26	Access Panel - Credenza	1,314
Work surface Support - Credenza	MCNR-BBF-1824-R	18 x 24 x 28	Merino Series Box, Box, File Pedestal with Pencil Tray; Leather-Lined Box Drawers	4,164
Work surface Support - Credenza	MCNR-BBF-1824-R	18 x 24 x 28	Merino Series Box, Box, File Pedestal with Pencil Tray; Leather-Lined Box Drawers	4,164
Overhead	MCOW-F-10817D-VG	108 x 80 x 17	Overhead - Full Doors - Glass Doors - Double Height	16,700
Tackboard	MCWT-108-21-COM	108 x 21	Tackboard	1,028
Tower	MCTW-1880-R	18 x 80 x 24	Merino Series Wardrobe with Shoe Tray and Mirror	6,190

Please Note: Pedestals and Towers include integrated pulls.

Private Office List Price (as shown): \$50,629



U-SHAPE CONFIGURATIONS

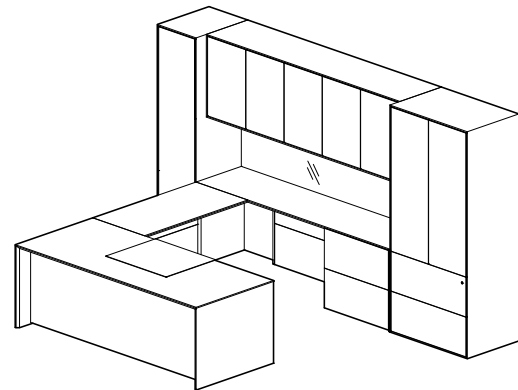
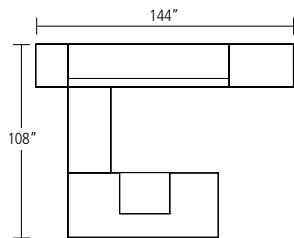


TYPICAL MER-03-U // LEFT-HAND STATION

COMPONENT	MODEL #	DIMENSIONS	DESCRIPTION	PRICE
Single Pedestal Desk	MCD-T-3684-L-V	36 x 84	Rectangle Top	5,112
Modesty Panel - Desk	-MPVF		Veneer Full Modesty Panel	1,475
Power Blotter	-LB		Merino Leather Power Blotter	1,560
Work surface Support - Desk	MC-ML-36-L	2 x 36 x 28	Metal Bevel Leg, Polished Chrome	3,281
Bridge	MCB-2448	24 x 48	Bridge Top	1,699
Access Panel - Bridge	MC-AP-48	48 x 26	Access Panel - Bridge	1,246
Back Credenza	MCBC-24108	24 x 108	Back Credenza	4,914
Access Panel - Credenza	MC-AP-54	54 x 26	Access Panel - Credenza	1,314
Work surface Support - Credenza	MCNR-BBF-1824-R	18 x 24 x 28	Merino Series Box, Box, File Pedestal with Pencil Tray; Leather-Lined Box Drawers	4,164
Work surface Support - Credenza	MCNR-BBF-1824-R	18 x 24 x 28	Merino Series Box, Box, File Pedestal with Pencil Tray; Leather-Lined Box Drawers	4,164
Overhead	MCOW-SH136-108D-G	108 x 80 x 14	Overhead - Two Aluminum Shelves - 36" Glass Sliding Hood - Double Height	14,488
Tackboard	MCWG-108-21	108 x 21	Glass Magnetic Board	5,015
Tower	MCTR-3680-R-V	36 x 80 x 24	Merino Series Full Height Doors with Wardrobe, Shoe Tray, 2 Box Drawers, Bag Hooks, & 2 Shelves	10,380

Please Note: Pedestals and Towers include integrated pulls.

Private Office List Price (as shown): \$58,812



TYPICAL MER-04-U // LEFT-HAND STATION

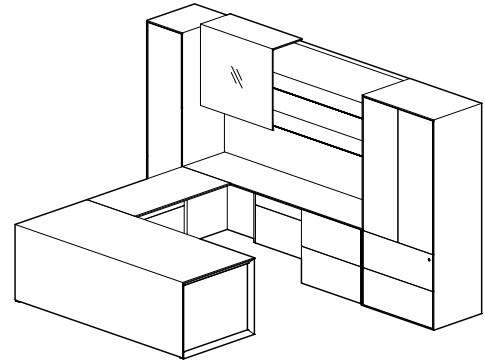
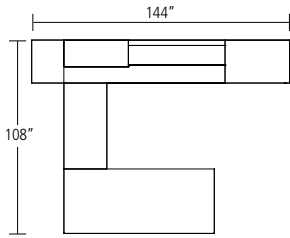
COMPONENT	MODEL #	DIMENSIONS	DESCRIPTION	PRICE
Single Pedestal Desk	MCD-T-3684-L-V	36 x 84	Rectangle Top	5,112
Modesty Panel - Desk	-MPVF		Veneer Full Modesty Panel	1,475
Power Blotter	-LB		Merino Leather Power Blotter	1,560
Work surface Support - Desk	MCNR-BBF-1836-L	18 X 36 X 28	Merino Series Box, Box, File Pedestal with Pencil Tray; Leather-Lined Box Drawers	4,705
Bridge	MCB-2448	24 x 48	Bridge Top	1,699
Access panel - Bridge	MC-AP-48	48 x 26	Access Panel - Bridge	1,246
Back Credenza	MCBC-2490	24 x 90	Back Credenza	4,373
Access Panel - Credenza	MC-AP-42	42 x 26	Access Panel - Credenza	1,175
Work surface Support - Credenza	MCNR-LFO-3024-R	18 x 24 x 28	Merino Series Lateral File with Leather-Lined Organizer Boxes	4,293
Overhead	MCOW-F-9017D-V	90 x 80 x 17	Overhead - Full Doors - Veneer Doors - Double Height	12,300
Tackboard	MCWG-90-21	90 x 21	Glass Magnetic Board	4,391
Tower	MCTW-1880-V-L	18 x 80 x 24	Merino Series Wardrobe with Shoe Tray and Mirror	6,190
Tower	MCTL-3680-V-R	36 x 80 x 24	Merino Series Two Lateral Files with Upper Doors with Wardrobe and Shelf	10,380

Please Note: Pedestals and Towers include integrated pulls.

Private Office List Price (as shown): \$58,899



U-SHAPE CONFIGURATIONS

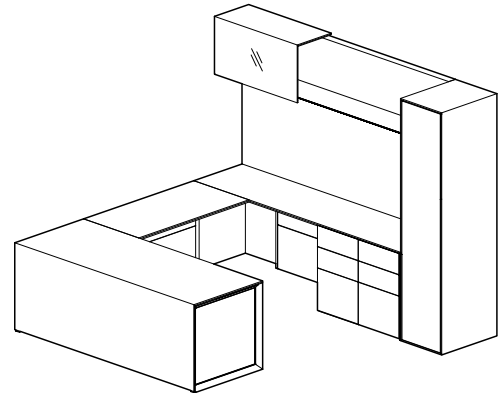
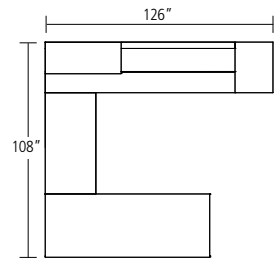


TYPICAL MER-05-U // LEFT-HAND STATION

COMPONENT	MODEL #	DIMENSIONS	DESCRIPTION	PRICE
Single Pedestal Desk	MCD-T-3684-L-V	36 x 84	Rectangle Top	5,112
Modesty Panel - Desk	-MPVF		Veneer Full Modesty Panel	1,475
Work surface Support - Desk	MC-ML-36-L	2 x 36 x 28	Metal Bevel Leg, Polished Chrome	3,281
Bridge	MCB-2448-V	24 x 48	Bridge Top	1,699
Access Panel - Bridge	MC-AP-48	48 x 26	Access Panel - Bridge	1,246
Back Credenza	MCBC-2490-V	24 x 90	Back Credenza	4,373
Access Panel - Credenza	MC-AP-42	42 x 26	Access Panel - Credenza	1,175
Work surface Support - Credenza	MCNR-LFO-3024-R	30 x 24 x 28	Merino Series Lateral File with Leather-Lined Organizer Boxes	4,293
Overhead	MCOW-SH136-90D-G	90 x 80 x 14	Overhead - Two Aluminum Shelves - 36" Glass Sliding Hood - Double Height	13,368
Tackboard	MCWG-90-21	90 X 21	Glass Magnetic Board	4,391
Tower	MCTW-1880-L-V	18 x 80 x 24	Merino Series Wardrobe with Shoe Tray and Mirror	6,190
Tower	MCTL-3680-R-V	36 x 80 x 24	Merino Series Two Lateral Files with Upper Doors wit Wardrobe and Shelf	10,380

Please Note: Pedestals and Towers include integrated pulls.

Private Office List Price (as shown): **\$56,983**



TYPICAL MER-06-U // LEFT-HAND STATION

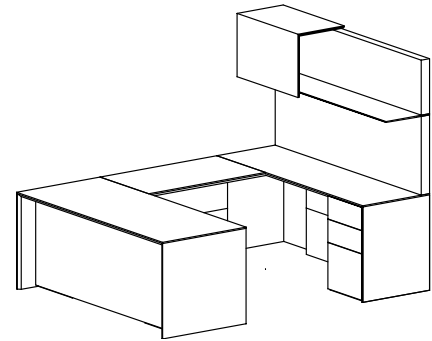
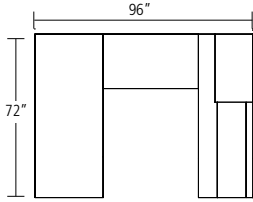
COMPONENT	MODEL #	DIMENSIONS	DESCRIPTION	PRICE
Single Pedestal Desk	MCD-T-3078-L-V	30 x 78	Rectangle Top	4,252
Modesty Panel - Desk	-MPVF		Veneer Full Modesty Panel	1,475
Work surface Support - Desk	MC-ML-30-L	2 x 30 x 28	Metal Bevel Leg, Polished Chrome	3,099
Bridge	MCB-2448-V	24 x 48	Bridge Top	1,699
Access panel - Bridge	MC-AP-48	48 x 26	Access Panel - Bridge	1,246
Back Credenza	MCBC-2490-V	24 x 90	Back Credenza	4,373
Access Panel - Credenza	MC-AP-36	36 x 26	Access Panel - Credenza	1,096
Work surface Support - Credenza	MCNR-BBF-1824-R	18 x 24 x 28	Merino Series Box, Box, File Pedestal with Pencil tray; Leather-Lined Box Drawers	4,164
Work surface Support - Credenza	MCNR-BBF-1824-R	18 x 24 x 28	Merino Series Box, Box, File Pedestal with Pencil tray; Leather-Lined Box Drawers	4,164
Overhead	MCOW-SH130-90S-G	90 x 80 x 14	Overhead - One Aluminum Shelf - 30" Glass Sliding Hood - Single Height - 80"H	9,582
Tackboard	MCWT-90-23-COM	90 x 23	Tackboard	964
Tower	MCTW-1880-R	18 x 80 x 24	Merino Series Wardrobe with Shoe Tray and Mirror	6,190

Please Note: Pedestals and Towers include integrated pulls.

Private Office List Price (as shown): **\$42,304**



U-SHAPE CONFIGURATIONS



TYPICAL MER-07-U // LEFT-HAND STATION

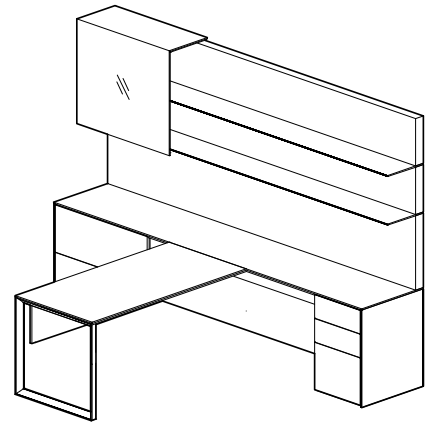
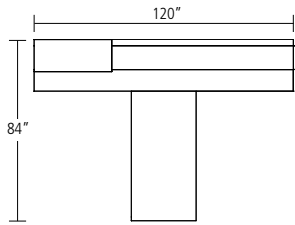
COMPONENT	MODEL #	DIMENSIONS	DESCRIPTION	PRICE
Single Pedestal Desk	MCD-T-3072-V	30 x 72	Rectangle Veneer Top	4,033
Modesty Panel	-MPVF		Modesty Panel	1,475
Work surface Support - Desk	MCNR-BBF-1830-V	18 x 30 x 28	Box/Box/File	4,580
Bridge	MCB-2442-V	24 x 42	Work surface	1,597
Back Panel - Bridge	MC-AP-42	42 x 26	Access Panel	1,175
Back Credenza	MCBC-2472-V	24 x 72	Back Credenza	3,807
Work surface Support - Credenza	MCNR-BBF-1824-V	18 x 24 x 28	Box/Box/File	4,164
Modesty Panel - Credenza	MC-AP-36	36 x 26	Back Panels: Access Panel	1,096
Overhead	MCOW-SH130-72S-V	72 x 18 x 15.75	72" Shelf with 30" Sliding Hood	7,527
Tackboard - Overhead	MCWT-72-23-A	72 x 23	Tackboard Grade A	1,087

Please Note: Pedestals and Towers include integrated pulls.

Private Office List Price (as shown): \$30,541



T-SHAPE CONFIGURATIONS

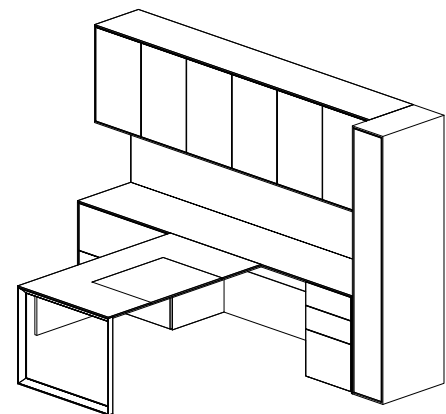
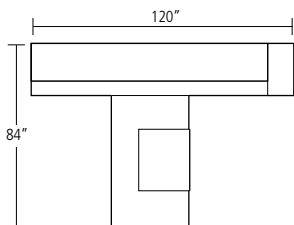


TYPICAL MER-01-T // LEFT-HAND STATION

COMPONENT	MODEL #	DIMENSIONS	DESCRIPTION	PRICE
Side Credenza	MCSC-24120-V-L	24 x 120	Side Credenza Top	4,008
Work surface Support - Side Credenza	MCNR-LF-3624-L	36 x 24 x 28	Merino Series Lateral File	4,420
Access Panel - Side Credenza	MC-AP-66	66 x 26	Access panel - Side Credenza	1,437
Work surface Support - Side Credenza	MCNR-BBF-1824-R	18 x 24 x 28	Merino Series Box, Box, File Pedestal with Pencil Tray; Leather-Lined Box Drawers	4,164
Run-Off Desk	MCRO-T-3660-V	36 x 60	Rectangle Top	3,032
Modesty Panel - Desk	-MPVH		Veneer Half Modesty Panel	1,237
Work surface Support - Desk	MC-ML-36-L	2 x 36 x 28	Metal Bevel Leg	1,646
Overhead	MCOW-SH136-120D-G	120 x 80 x 14	Overhead - Two Aluminum Shelves - 36" Glass Sliding Hood - Double Height	15,500
Tackboard	MCWG-120-21	120 x 21	Glass Magnetic Board	5,314

Please Note: Pedestals and Towers include integrated pulls.

Private Office List Price (as shown): \$40,758



TYPICAL MER-02-T // LEFT-HAND STATION

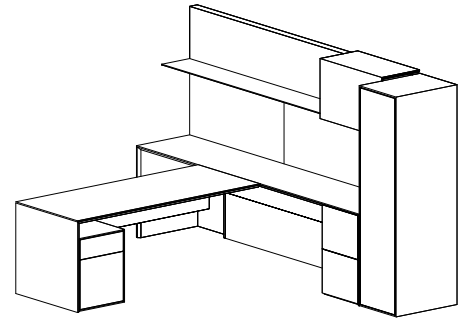
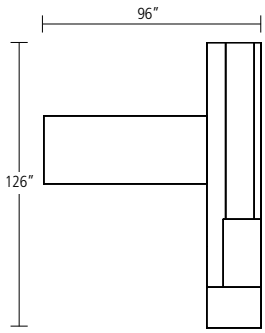
COMPONENT	MODEL #	DIMENSIONS	DESCRIPTION	PRICE
Side Credenza	MCSC-24108-V-L	24 x 108	Side Credenza Top	3,660
Work surface Support - Side Credenza	MCNR-LF-3624-L	36 x 24 x 28	Merino Series Lateral File	4,420
Access Panel - Side Credenza	MC-AP-54	54 x 26	Access panel - Side Credenza	1,314
Work surface Support - Side Credenza	MCNR-BBF-1824-R	18 x 24 x 28	Merino Series Box, Box, File Pedestal with Pencil Tray; Leather-Lined Box Drawers	4,164
Run-Off Desk	MCRO-T-3660-V	36 x 60	Rectangle Top	3,032
Modesty Panel - Desk	-MPVH		Veneer Half Modesty Panel	1,237
Power Blotter	-LB		Merino Leather Power Blotter	1,560
Work surface Support - Desk	MC-ML-36-L	2 x 36 x 28	Metal Bevel Leg, Polished Chrome	1,646
Overhead	MCOW-F-10817D-VG	108 x 80 x 17	Overhead - Full Doors - Veneer Doors - Double Height	16,700
Tackboard	MCWT-108-21-COM	108 x 21	Tackboard	1,028
Tower	MCTW-1280-R	12 x 80 x 24	Merino Series Wardrobe	5,294

Please Note: Pedestals and Towers include integrated pulls.

Private Office List Price (as shown): \$44,055



T-SHAPE CONFIGURATIONS



TYPICAL MER-03-T

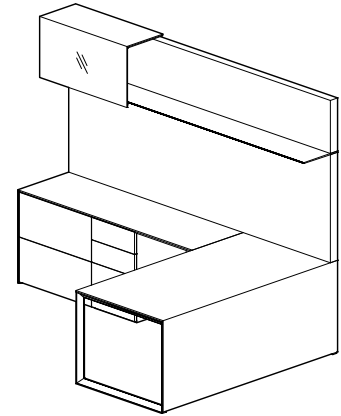
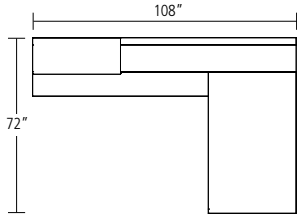
COMPONENT	MODEL #	DIMENSIONS	DESCRIPTION	PRICE
Side Credenza	MCSC-24108-V	24 x 108	Side Credenza Top	3,660
End Support	MC-ES-1824	18 x 24 x 28	End Support	1,255
Work surface Support - Side Credenza	MCNR-FF-1824	18 x 24 x 28	File/File	4,164
Back Panel	MC-AP-72	72 x 26	Back Panels: Access Panel	1,492
Run Off Desk	MCRO-T-3072-V	30 x 72	Veneer Work surface	3,032
Modesty Panel - Desk	MPVH	Half High	Veneer Modesty Panel	1,237
Work surface Support	MC-MPL-30	2 x 30 x 28	Wood Panel Leg	1,004
Mobile Storage	MCMP-BF-18	18 x 23 x 22	Mobile Box/File	4,379
Overhead	MCOW-SH130-108S-V	108 x 70 x 15.75	Aluminum Shelf with 30" Sliding Hood	9,582
Tackboard - Overhead	MCWT-108-23-COM	108 x 23.75	Tackboard - Overhead	1,058
Tower	MCTW-1870	18 x 70.25 x 24	Wardrobe w/ Shoe Tray & Mirror	5,897

Please Note: Pedestals and Towers include integrated pulls.

Private Office List Price (as shown): \$36,760



L-SHAPE CONFIGURATIONS

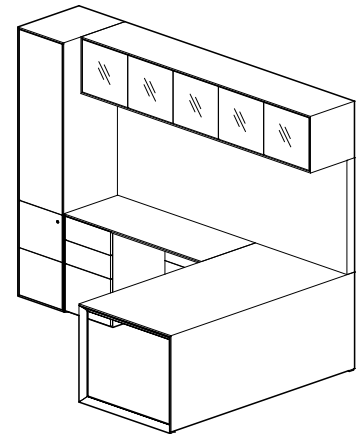
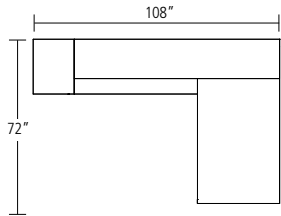


TYPICAL MER-01-L // RIGHT-HAND STATION

COMPONENT	MODEL #	DIMENSIONS	DESCRIPTION	PRICE
Single Pedestal Desk	MCD-T-3672-L-V	36 x 72	Rectangle Top	4,618
Modesty Panel - Desk	-MPVF		Veneer Full Modesty Panel	1,475
Work surface Support - Desk	MC-ML-36-R	2 x 36 x 28	Metal Bevel Leg, Polished Chrome	3,281
Run-Off Return Work surface	MCR-2472	24 x 72	Return Top	2,008
Work surface Support - Return	MCNR-LFO-3024-L	30 x 24 x 28	Merino Series Lateral File with Leather-Lined Organizer Boxes	4,293
Work surface Support - Return	MCNR-BBF-1824-L	18 x 24 x 28	Merino Series Box, Box, File Pedestal with Pencil Tray; Leather-Lined Box Drawers	4,164
Access Panel - Return	MC-AP-24	24 x 26	Access Panel - Return	928
Overhead	MCOW-SH136-108S-G	108 x 70 x 14	Overhead - One Aluminum Shelf - 36" Glass Sliding Hood - Single Height	11,372
Tackboard	MCWT-108-23-COM	108 x 23	Tackboard	1,058

Please Note: Pedestals and Towers include integrated pulls.

Private Office List Price (as shown): \$33,197



TYPICAL MER-02-L // RIGHT-HAND STATION

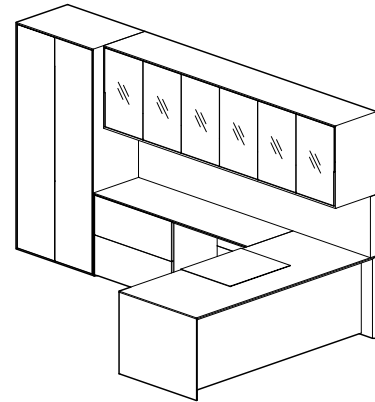
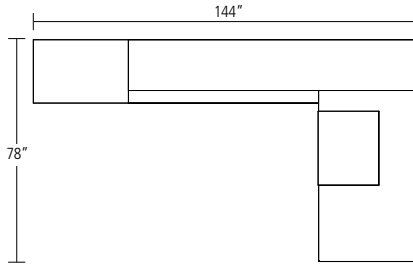
COMPONENT	MODEL #	DIMENSIONS	DESCRIPTION	PRICE
Single Pedestal Desk	MCD-T-3672-L-V	36 x 72	Rectangle Top	4,618
Modesty Panel - Desk	-MPVF		Veneer Full Modesty Panel	1,475
Work surface Support - Desk	MC-ML-36-R	2 x 36 x 28	Metal Bevel Leg, Polished Chrome	3,281
Run-Off Return Work surface	MCR-2454-V	24 x 54	Return Top	1,833
Work surface Support - Return	MCNR-BBF-1824-L	18 x 24 x 28	Merino Series Box, Box, File Pedestal with Pencil Tray; Leather-Lined Box Drawers	4,164
Access Panel - Return	MC-AP-36	36 x 26	Access Panel - Return	1,096
Overhead	MCOW-F-9017S-VG	90 x 80 x 17-1/4	Overhead - Full Doors - Glass Doors - Single Height	9,782
Tackboard	MCWT-90-33-COM	90 x 33-3/4	Tackboard	991
Tower	MCTSB-1880-L	18 x 80 x 24	Merino Series Box, Box, File with Upper Door with Shelves; Leather-Lined Box Drawers	7,468

Please Note: Pedestals and Towers include integrated pulls.

Private Office List Price (as shown): \$34,708



L-SHAPE CONFIGURATIONS

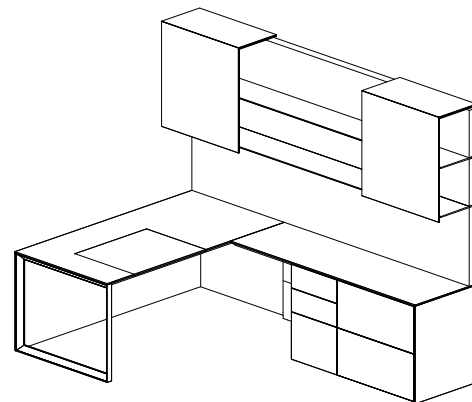
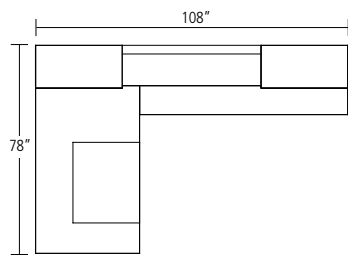


TYPICAL MER-03-L // RIGHT-HAND STATION

COMPONENT	MODEL #	DIMENSIONS	DESCRIPTION	PRICE
Single Pedestal Desk	MCD-T-3678-R-V	36 x 78	Rectangle Top	4,618
Modesty Panel - Desk	-MPVF		Veneer Inset Full Modesty Panel	1,475
Power Blotter	-LB		Merino Leather Power Blotter	1,560
Work surface Support - Desk	MCNR-BBF-1836-R	18 x 36 x 28	Merino Series Box, Box, File Pedestal with Pencil Tray; Leather-Lined Box Drawers	4,705
Run-Off Return Work surface	MCR-2472	24 x 72	Return Top	2,008
Work surface Support - Return	MCNR-LF-3624-L	36 x 24 x 28	Merino Series Lateral File	4,420
Access Panel - Return	MC-AP-36	36 x 26	Access Panel - Return	1,096
Overhead	MCOW-F-10817D-VG	108 x 80 x 12	Overhead - Full Doors - Glass Doors - Double Height	16,700
Tackboard	MCWT-108-21-COM	108 x 21	Tackboard	1,028
Tower	MCTR-3680-L-V	36 x 80 x 24	Merino Series Full Height Doors with Wardrobe, Shoe Tray, 2 Box Drawers, Bag Hooks, & 2 Shelves	10,380

Please Note: Pedestals and Towers include integrated pulls.

Private Office List Price (as shown): \$47,990



TYPICAL MER-04-L // LEFT-HAND STATION

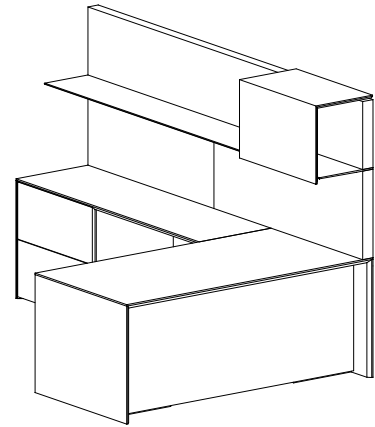
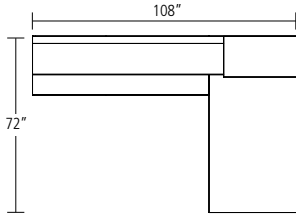
COMPONENT	MODEL #	DIMENSIONS	DESCRIPTION	PRICE
Single Pedestal Desk	MCD-T-3678-L-V	36 x 78	Rectangle Top	4,618
Modesty Panel - Desk	-MPVF		Veneer Waterfall Full Modesty Panel	1,475
Power Blotter	-LB		Merino Leather Power Blotter	1,560
Work surface Support - Desk	MC-ML-36-L	2 x 36 x 28	Metal Bevel Leg, Polished Chrome	3,281
Run-Off Return Work surface	MCR-2472-V	24 x 72	Return Top	2,008
Access Panel - Return	MC-AP-24	24 x 26	Access Panel - Return	928
Work surface Support - Return	MCNR-BBF-1824-R	18 x 24 x 28	Merino Series Box, Box, File Pedestal with Pencil Tray; Leather-Lined Box Drawers	4,164
Work surface Support - Return	MCNR-LFO-3024-R	30 x 24 x 28	Merino Series Lateral File with Leather-Lined Organizer Boxes	4,293
Overhead	MCOW-SH236-108D-S	108 x 80 x 14	Overhead - Two Aluminum Shelves - Two 36" Painted Sliding Hoods - Double Height	12,690
Tackboard	MCWT-108-21-COM	108 x 21	Tackboard	1,028

Please Note: Pedestals and Towers include integrated pulls.

Private Office List Price (as shown): \$36,045



L-SHAPE CONFIGURATIONS



TYPICAL MER-05-L // LEFT-HAND STATION

COMPONENT	MODEL #	DIMENSIONS	DESCRIPTION	PRICE
Single Pedestal Desk	MCD-T-3672-V	36x72	Rectangle Veneer Top	4,618
Work surface Support - Desk	MCNR-BBF-1836-V	18x36x28	Box/Box/File	4,705
Full-Height Modesty Panel	-MPVF		Modesty Panel	1,475
Return	MCR-2472-V	24x72	Veneer Work surface	2,008
Lateral File - Return	MCNR-LF-3024-V	30x24x28	Lateral File	4,018
Back Panel - Return	MC-AP-42	42x26	Access Panel	1,175
Overhead	MCOW-SH130-108S-V	108x70x15.75	Single Height Overhead	9,582
Tackboard - Overhead	MCWT-108-23-A	108x23.75	Tackboard COM	1,451

Please Note: Pedestals and Towers include integrated pulls.

Private Office List Price (as shown): \$29,032



MERINO[®] PRICE LIST



FREESTANDING DESKS



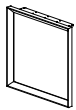
MCF-T-3072

SURFACE MATERIAL KEY

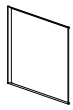
- V Veneer Work surface
- G Glass Work surface

RECTANGLE WORK SURFACE

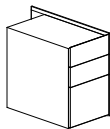
MODEL #	DEPTH	WIDTH	-V	-G
MCF-T-3060	30	60	2,572	5,138
MCF-T-3066	30	66	2,803	5,604
MCF-T-3072	30	72	3,032	6,054
MCF-T-3078	30	78	3,252	6,496
MCF-T-3084	30	84	3,470	6,932
MCF-T-3660	36	60	3,032	6,054
MCF-T-3666	36	66	3,299	6,587
MCF-T-3672	36	72	3,555	7,101
MCF-T-3678	36	78	3,809	7,610
MCF-T-3684	36	84	4,049	8,095



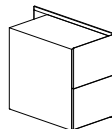
MC-ML-30



MC-MPL-30



MCNR-BBF-1836



MCNR-FF-1836

SURFACE MATERIAL KEY

- VS Veneer Case with Paint Front
- V Veneer

SUPPORT OPTIONS // MUST SPECIFY LEFT AND RIGHT

MODEL #	W x D x H	DESCRIPTION	PRICE	-VS	-V
MC-ML-30	2 x 30 x 28	Metal Bevel Leg	1,464	-	-
MC-MLV-30	2 x 30 x 28	Metal Bevel Leg with Inset Veneer	1,646	-	-
MC-MLP-30	2 x 30 x 28	Metal Bevel Leg with Inset Paint	1,646	-	-
MC-ML-36	2 x 36 x 28	Metal Bevel Leg	1,646	-	-
MC-MLV-36	2 x 36 x 28	Metal Bevel Leg with Inset Veneer	1,828	-	-
MC-MLP-36	2 x 36 x 28	Metal Bevel Leg with Inset Paint	1,828	-	-
MC-MPL-30	2 x 30 x 28	Wood Panel Leg	-	-	1,004
MC-MPL-36	2 x 36 x 28	Wood Panel Leg	-	-	1,063
MERINO SERIES					
MCNR-BBF-1630	16 x 30 x 28	Box/Box/File	4,164	4,164	4,164
MCNR-FF-1630	16 x 30 x 28	File/File	4,164	4,164	4,164
MCNR-BBF-1636	16 x 36 x 28	Box/Box/File	4,281	4,281	4,281
MCNR-FF-1636	16 x 36 x 28	File/File	4,281	4,281	4,281
MCNR-BBF-1830	18 x 30 x 28	Box/Box/File	4,580	4,580	4,580
MCNR-FF-1830	18 x 30 x 28	File/File	4,580	4,580	4,580
MCNR-LBF-1830	18 x 30 x 28	Laptop/Box/File	4,804	4,804	4,804
MCNR-LP-1830	18 x 30 x 28	Laptop/Printer Pedestal	5,949	5,949	5,949
MCNR-PP-1830	18 x 30 x 28	Printer Pedestal	5,447	5,447	5,447
MCNR-PD-1830	18 x 30 x 28	Tech Pedestal, Power Drawer w/ Door	4,438	4,438	4,438
MCNR-BBF-1836	18 x 36 x 28	Box/Box/File	4,705	4,705	4,705
MCNR-FF-1836	18 x 36 x 28	File/File	4,705	4,705	4,705
MCNR-LBF-1836	18 x 36 x 28	Laptop/Box/File	4,940	4,940	4,940
MCNR-LP-1836	18 x 36 x 28	Laptop/Printer Pedestal	6,116	6,116	6,116
MCNR-PP-1836	18 x 36 x 28	Printer Pedestal	5,598	5,598	5,598
MCNR-PD-1836	18 x 36 x 28	Tech Pedestal, Power Drawer w/ Door	4,564	4,564	4,564

[] Specify Left (-L) and Right (-R) support



FREESTANDING DESKS

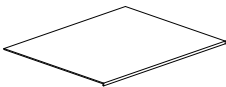


Half Modesty Panel

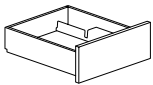


Full Modesty Panel

OPTIONS	CODE	PRICE	NOTES
Modesty Panel Options (Required):			
Veneer Half Modesty Panel	-MPVH	\$1,237	For Veneer top only
Gloss Glass Half Modesty Panel	-MPGH	\$2,465	For Gloss Glass tops only
Satin Glass Half Modesty Panel	-SGH	\$2,945	For Satin Glass tops only
Veneer Full Modesty Panel	-MPVF	\$1,475	For Veneer top only
Gloss Glass Full Modesty Panel	-MPGF	\$2,951	For Gloss Glass tops only
Satin Glass Full Modesty Panel	-SGF	\$3,451	For Satin Glass tops only
Painted Half Modesty Panel	-MPPH	\$1,139	For Wood Panel legs only
Painted Full Modesty Panel	-MPPF	\$1,254	For Wood Panel legs and Pedestals only
2"-Diameter Grommet Options:			
Center Grommet	-MCGC	\$218	Grommets are not available with Power Blotter.
Left Grommet	-MCGL	\$218	Grommets are not available with Power Blotter.
Right Grommet	-MCGR	\$218	Grommets are not available with Power Blotter.
Left and Right Grommet	-MCG2	\$434	Grommets are not available with Power Blotter.
Power Spec / USB Spec Options:			
Center Power Spec or USB Spec	-SP-C		Power Spec / USB Spec are not available with Power Blotter. Power Spec / USB Spec specified separately. See page 69.
Left Power Spec or USB Spec	-SP-L		
Right Power Spec or USB Spec	-SP-R		
Left & Right Power Spec or USB Spec	-SP-LR		
Polished Chrome Options:			
Polished Chrome Grommet	-PCG	\$90	Upcharge per Grommet
Polished Chrome Metal Leg	-PCML	\$1,635	Upcharge per Leg
Satin Glass			
	-SG	\$3,590	
Power Blotter Options:			
Leather Power Blotter	-LB	\$1,560	Veneer Tops Only
Chicago Power for Power Blotter	-CHLB	No Charge	
Pedestal Options:			
No Locks (Pedestals)	-NL	No Charge	
Power in Box Drawer	-PD	\$546	
No Leather in Box Drawer	-NLBD	DEDUCT \$348	Per Pedestal



-LB



-PD



FREESTANDING DESKS



Integrated Pull

GENERAL INFORMATION

- Grain direction runs horizontal. Veneer modesty panels on desks with Metal Legs are grain-matched to worksurface.
- Modesty Panel MUST be specified
- Pedestal Supports require a Full Modesty Panel
- On Freestanding Desks, a Waterfall Full or Half Modesty Panel can only be specified with Metal Bevel Legs
- Back-painted glass modesty panels can only be used back-painted glass tops
- Veneer Modesty panels can only be used with Veneer tops
- Painted Modesty panels CANNOT be used with Metal Legs
- Half-high Modesty CANNOT be specified when Pedestal Supports are used
- Back-painted glass top is only available on Freestanding desks with Metal Bevel Legs
- Metal legs on freestanding desks MUST be specified in pairs
- For a desk shell, specify two panel legs
- Power Blotter is only available on Veneer Tops 72" and greater in width; Blotter is 28" wide x 21" deep on 30" worksurface and 23" deep on 36" worksurface; Power access trough includes 3 simplex receptacles and 1 USB-A+C; Interior dimensions - 28"L x 4"W x 2-1/2"D
- Freestanding desks with Leather Power Blotter will require access to outlets in the floor to power the blotter
- Cable management is included when power blotter is specified
- Freestanding desks with push-to-open pull option on pedestals require access to an electrical outlet in the floor
- Pedestals and lateral files are standard with a lock
- Merino Series Box/Box/File pedestals include a pencil tray in upper box drawers
- Merino Series Pedestals have painted drawer boxes, undermount slides, low-profile hanger rails, and soft-close feature
- Merino Series Box Drawers are leather lined and include polished dividers. Leather finish MUST be specified. Leather can be optioned off by specifying -NLBD option.
- Power Drawer includes 3 Simplex and 1 USB-A+C port (Data transfer) with a 15-Amp plug and a 72" cord
- Printer Pedestal and Laptop/Printer Pedestal must be located adjacent to knee space
- Power in Box Drawer option is only available on Merino Series upper box drawers on 18"-wide pedestals only; Power option has 3 simple receptacles and 1 USB port
- Wire Management is included
- Sub-top on Glass worksurfaces and modesty panels will be painted to best match back-painted glass color
- Pedestal includes Integrated Pull
- Work surface power available on page 69
- Power Spec or USB Spec not available in individual work surfaces if Grommet option is selected
- Grommets and Power Specs are not available on work surfaces below an overhead due to wire management channel.

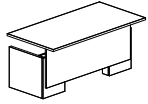
REQUIRED INFORMATION (ORDER CANNOT BE ENTERED WITHOUT THIS INFORMATION)

See appendix pages vi-vii for surface material options.

- Choose Veneer Finish
 - Choose Glass Finish, if applicable (Satin Glass upcharges apply, see options above)
 - Choose Metal Finish, if applicable
 - Choose Paint Color, if applicable
 - Choose Leather Finish, if applicable. Choose Spinneybeck Vincenza or Spinneybeck Volo colors from pages viii-ix. If no selection is made, the default choice will be Spinneybeck Vincenza Cinque Terre 2122.
 - Choose Polyurethane Finish, if applicable. Choose UltraFabrics Brisa colors from pages vii-ix.



FREESTANDING ADJUSTABLE HEIGHT DESK SHELL



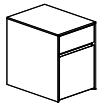
MCAFD-T-3672

SURFACE MATERIAL KEY

V Veneer Work surface

RECTANGLE DESK WORK SURFACE // INCLUDES PANEL LEGS WITH LIFT AND MODESTY

MODEL #	DEPTH	WIDTH	-V
MCAFD-T-3060	30	60	10,470
MCAFD-T-3066	30	66	10,686
MCAFD-T-3072	30	72	10,900
MCAFD-T-3078	30	78	11,105
MCAFD-T-3084	30	84	11,306
MCAFD-T-3660	36	60	11,014
MCAFD-T-3666	36	66	11,260
MCAFD-T-3672	36	72	11,504
MCAFD-T-3678	36	78	11,740
MCAFD-T-3684	36	84	11,967



MCFP-BF-15

SURFACE MATERIAL KEY

V All Veneer
VS Veneer Case with Paint Front

PEDESTAL (OPTIONAL)

MODEL #	DEPTH	WIDTH		-VS	-V
MCFP-BF-15	21	16	Merino Series Freestanding Box/ File Pedestal	3,788	3,788



FREESTANDING ADJUSTABLE HEIGHT DESK SHELL

Price
Veneer Work
surface



Full Modesty Panel

OPTIONS	CODE	PRICE	NOTES
Modesty Panel Options (Required):			
Veneer Full Modesty Panel	-MPWF		Included in price of Desk
Painted Full Modesty Panel	-MPPF		Included in price of Desk
2"-Diameter Grommet (Work Surface) Options:			
Center Grommet	-MCGC	\$218	Grommets are not available with Power Blotter.
Left Grommet	-MCGL	\$218	Grommets are not available with Power Blotter.
Right Grommet	-MCGR	\$218	Grommets are not available with Power Blotter.
Left and Right Grommet	-MCG2	\$434	Grommets are not available with Power Blotter.
Power Spec / USB Spec (Work Surface) Options:			
Center Power Spec or USB Spec	-SP-C		Power Spec / USB Spec specified separately. See page 69.
Left Power Spec or USB Spec	-SP-L		
Right Power Spec or USB Spec	-SP-R		
Left & Right Power Spec or USB Spec	-SP-LR		
Polished Chrome Options:			
Polished Chrome Grommet	-PCG	\$90	Upcharge per Grommet
Pedestal Options:			
No Locks (Pedestals)	-NL	No Charge	Per Pedestal
No Leather in Box Drawer	-NLBD	DEDUCT \$348	
Seat Cushion (1-1/2 yds)			
COM Fabric	-SC-COM	\$421	
Grade A	-SC-A	\$576	
Grade B	-SC-B	\$576	
Grade C	-SC-C	\$712	
Grade D	-SC-D	\$797	
Grade E	-SC-E	\$882	
Grade F	-SC-F	\$940	
Grade G	-SC-G	\$1,027	
Grade H	-SC-H	\$1,071	

GENERAL INFORMATION

- Includes worksurface, panel legs, and height adjustable lift mechanism.
- Work surface Height Range: 29-1/2" to 45"
- Grain direction runs horizontal
- Must specify Modesty Finish
- The programmable controller with presets is included, controller located on the Right side of the desk on the underside of the worksurface
- Grommets are 2"-Diameter
- Height adjustment mechanism is warranted for two years
- Lift mechanisms are designed to support all desk components, plus an additional 100lbs maximum weight
- Lift mechanisms are available in powdercoat only.
- Locks standard on all pedestals
- Pedestal includes Integrated Pull
- Merino Series Pedestals have painted drawer boxes, undermount slides, low-profile hanger rails, and a soft close feature
- Work surface power available on page 69
- Power Spec or USB Spec not available in individual work surfaces if Grommet option is selected

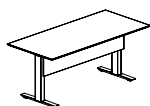
REQUIRED INFORMATION (ORDER CANNOT BE ENTERED WITHOUT THIS INFORMATION)

See appendix pages vi-vii for surface material options.

- Choose Veneer Finish
- Choose Metal Finish, if applicable
- Choose Paint color selection, if applicable
- Choose Polyurethane Finish, if applicable. Choose UltraFabrics Brisa colors from pages vii-ix.



FREESTANDING ADJUSTABLE HEIGHT DESK



MCAD-T-3672

SURFACE MATERIAL KEY

V Veneer Work surface

RECTANGLE DESK

MODEL #	DEPTH	WIDTH	-V
MCAD-T-2442	24	42	4,073
MCAD-T-2448	24	48	4,170
MCAD-T-2454	24	54	4,241
MCAD-T-3048	30	48	4,653
MCAD-T-3054	30	54	4,893
MCAD-T-3060	30	60	5,135
MCAD-T-3066	30	66	5,350
MCAD-T-3072	30	72	5,563
MCAD-T-3648	36	48	5,040
MCAD-T-3654	36	54	5,314
MCAD-T-3660	36	60	5,589
MCAD-T-3666	36	66	5,835
MCAD-T-3672	36	72	6,080



Half Modesty Panel

OPTIONS	CODE	PRICE	NOTES
Modesty Panel Options (Required):			
Veneer Half Modesty Panel	-MPWH	\$1,237	
Painted Half Modesty Panel	-MPPH	\$1,139	
2"-Diameter Grommet Option:			
Center Grommet	-WPRC	\$218	
Power Spec / USB Spec Option:			
Center Power Spec or USB Spec	-SP-C		Power Spec / USB Spec specified separately. See page 69.
Polished Chrome Options:			
Polished Chrome Grommet	-PCG	\$90	Upcharge per Grommet

GENERAL INFORMATION

- Work surface Height Range: 27-1/2" to 46"
- The programmable controller with presets is included, controller located on the Right side of the desk on the underside of the worksurface
- Modesty Panel Optional
- Height adjustment mechanism is warranted for two years
- Clear Anodized (CA) metal finish is not available on the height adjustable bases
- Desks can only accommodate mobile pedestals
- Lift mechanisms are designed to support all desk components, plus a maximum of 50lbs of additional weight
- Metal Freestanding Adjustable Height T-leg Desk only available in powder coat finish
- Work surface power available on page 69
- Power Spec or USB Spec not available in individual work surfaces if Grommet option is selected

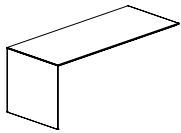
REQUIRED INFORMATION (ORDER CANNOT BE ENTERED WITHOUT THIS INFORMATION)

See appendix pages vi-vii for surface material options.

- Choose Veneer Finish
- Choose Metal Finish, if applicable
- Choose Paint Color, if applicable



SINGLE PEDESTAL DESKS



MCD-T-3072

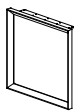
SURFACE MATERIAL KEY

V Veneer Work surface

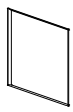
RECTANGLE WORK SURFACE

MODEL #	DEPTH	WIDTH	-V
MCD-T-3060	30	60	3,573
MCD-T-3066	30	66	3,806
MCD-T-3072	30	72	4,033
MCD-T-3078	30	78	4,252
MCD-T-3084	30	84	4,470
MCD-T-3660	36	60	4,095
MCD-T-3666	36	66	4,361
MCD-T-3672	36	72	4,618
MCD-T-3678	36	78	4,871
MCD-T-3684	36	84	5,112

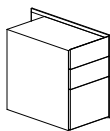
[] Specify Left (-L) and Right (-R) support



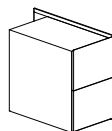
MC-ML-30



MC-MPL-30



MCNR-BBF-1836



MCNR-FF-1836

SURFACE MATERIAL KEY

VS Veneer Case with Paint Front
V Veneer

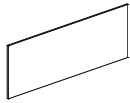
SUPPORT OPTIONS // MUST SPECIFY LEFT AND RIGHT

MODEL #	W x D x H	DESCRIPTION	PRICE	-VS	-V
MC-ML-30	2 x 30 x 28	Metal Bevel Leg	1,464	-	-
MC-MLV-30	2 x 30 x 28	Metal Bevel Leg with Inset Veneer	1,646	-	-
MC-MLP-30	2 x 30 x 28	Metal Bevel Leg with Inset Paint	1,646	-	-
MC-ML-36	2 x 36 x 28	Metal Bevel Leg	1,646	-	-
MC-MLV-36	2 x 36 x 28	Metal Bevel Leg with Inset Veneer	1,828	-	-
MC-MLP-36	2 x 36 x 28	Metal Bevel Leg with Inset Paint	1,828	-	-
MC-MPL-30	2 x 30 x 28	Wood Panel Leg	-	-	1,004
MC-MPL-36	2 x 36 x 28	Wood Panel Leg	-	-	1,063
MERINO SERIES					
MCNR-BBF-1630	16 x 30 x 28	Box/Box/File	-	4,164	4,164
MCNR-FF-1630	16 x 30 x 28	File/File	-	4,164	4,164
MCNR-BBF-1636	16 x 36 x 28	Box/Box/File	-	4,281	4,281
MCNR-FF-1636	16 x 36 x 28	File/File	-	4,281	4,281
MCNR-BBF-1830	18 x 30 x 28	Box/Box/File	-	4,580	4,580
MCNR-FF-1830	18 x 30 x 28	File/File	-	4,580	4,580
MCNR-LBF-1830	18 x 30 x 28	Laptop/Box/File	-	4,804	4,804
MCNR-LP-1830	18 x 30 x 28	Laptop/Printer Pedestal	-	5,949	5,949
MCNR-PP-1830	18 x 30 x 28	Printer Pedestal	-	5,447	5,447
MCNR-PD-1830	18 x 30 x 28	Tech Pedestal, Power Drawer w/ Door	-	4,438	4,438
MCNR-BBF-1836	18 x 36 x 28	Box/Box/File	-	4,705	4,705
MCNR-FF-1836	18 x 36 x 28	File/File	-	4,705	4,705
MCNR-LBF-1836	18 x 36 x 28	Laptop/Box/File	-	4,940	4,940
MCNR-LP-1836	18 x 36 x 28	Laptop/Printer Pedestal	-	6,116	6,116
MCNR-PP-1836	18 x 36 x 28	Printer Pedestal	-	5,598	5,598
MCNR-PD-1836	18 x 36 x 28	Tech Pedestal, Power Drawer w/ Door	-	4,564	4,564

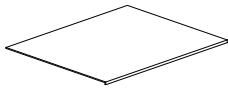
[] Specify Left (-L) and Right (-R) support



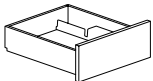
SINGLE PEDESTAL DESKS



Full Modesty Panel



-LB



-PD



Integrated Pull

OPTIONS	CODE	PRICE	NOTES
Modesty Panel Options (Required):			
Veneer Full Modesty Panel	-MPVF	\$1,475	
Painted Full Modesty Panel	-MPPF	\$1,254	For Wood Panel legs and Pedestals only
2"-Diameter Grommet Options:			
Center Grommet	-MCGC	\$218	Grommets are not available with Power Blotter.
Left Grommet	-MCGL	\$218	Grommets are not available with Power Blotter.
Right Grommet	-MCGR	\$218	Grommets are not available with Power Blotter.
Left and Right Grommet	-MCG2	\$434	Grommets are not available with Power Blotter.
Power Spec / USB Spec Options:			
Center Power Spec or USB Spec	-SP-C		Power Spec / USB Spec are not available with Power Blotter. Power Spec / USB Spec specified separately. See page 69.
Left Power Spec or USB Spec	-SP-L		
Right Power Spec or USB Spec	-SP-R		
Left & Right Power Spec or USB Spec	-SP-LR		
Polished Chrome Options:			
Polished Chrome Grommet	-PCG	\$90	Upcharge per Grommet
Polished Chrome Metal Leg	-PCML	\$1,635	Upcharge per Leg
Power Blotter Options:			
Leather Power Blotter	-LB	\$1,560	Veneer Tops Only
Chicago Power for Power Blotter	-CHLB	No Charge	
Pedestal Options:			
No Locks (Pedestals)	-NL	No Charge	
Power in Box Drawer	-PD	\$546	
No Leather in Box Drawer	-NLBD	DEDUCT \$348	Per Pedestal

GENERAL INFORMATION

- Grain direction runs horizontal. Veneer Modesty Panel on desks with Metal Legs are grain-matched to worksurface.
- Top includes corner support
- Modesty Panel MUST be specified
- Pedestal Supports and Panel Leg will include an Inset Full Modesty
- Metal Leg support can only be specified with Veneer Full Modesty, modesty is the Waterfall Modesty
- Painted Modesty CANNOT be used with Metal Legs
- Pedestals CANNOT be used with Metal Legs
- Power Blotter is only available on Veneer Tops 78" and greater in width; Blotter is 28" wide x 21" deep on 30" worksurface and 23" Deep on 36" work-surface; Power access trough includes 3 simplex receptacles and 1 USB-A+C; Interior dimensions - 28" L x 4"W x 2 1/2" D
- Cable management is included when power blotter is specified
- Pedestals and lateral files are standard with a lock
- Pedestal includes Integrated Pull
- Merino Series Box/Box/File pedestals include a pencil tray in upper box drawers
- Merino Series Pedestals have painted drawer boxes, undermount slides, low-profile hanger rails, and soft-close feature.
- Merino Series Box Drawers are leather lined and include polished dividers. Leather finish MUST be specified. Leather can be optioned off by specifying -NLBD option.
- Power Drawer includes 3 Simplex and 1 USB-A+C port (Data transfer) with a 15 Amp plug and a 72" cord
- Printer Pedestal and Laptop/Printer Pedestal must be located adjacent to knee space
- Power in Box Drawer option is only available on Merino Series upper box drawers on 18" wide pedestals only; Power option has 3 simplex receptacles and 1 USB-A+C port
- Wire Management is included
- Work surface power available on page 69
- Power Spec or USB Spec not available in individual work surfaces if Grommet option is selected

REQUIRED INFORMATION (ORDER CANNOT BE ENTERED WITHOUT THIS INFORMATION)

See appendix pages vi-vii for surface material options.

- Choose Veneer Finish
- Choose Metal Finish, if applicable
- Choose Paint Color, if applicable
- Choose Leather Finish, if applicable. Choose Spinneybeck Vincenza or Spinneybeck Volo colors from pages viii-ix. If no selection is made, the default choice will be Spinneybeck Vincenza Cinque Terre 2122.
- Choose Polyurethane Finish, if applicable. Choose UltraFabrics Brisa colors from pages vii-ix.



RUN-OFF DESKS



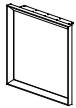
MCRO-T-3072

SURFACE MATERIAL KEY

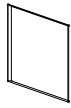
V Veneer Work surface

RECTANGLE WORK SURFACE

MODEL #	DEPTH	WIDTH	-V
MCRO-T-3042	30	42	1,853
MCRO-T-3048	30	48	2,095
MCRO-T-3054	30	54	2,333
MCRO-T-3060	30	60	2,572
MCRO-T-3066	30	66	2,803
MCRO-T-3072	30	72	3,032
MCRO-T-3642	36	42	2,194
MCRO-T-3648	36	48	2,479
MCRO-T-3654	36	54	2,756
MCRO-T-3660	36	60	3,032
MCRO-T-3666	36	66	3,299
MCRO-T-3672	36	72	3,555



MC-ML-30



MC-MPL-30

SURFACE MATERIAL KEY

V Veneer

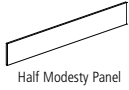
SUPPORT OPTIONS // MUST SPECIFY LEFT AND RIGHT

MODEL #	W x D x H	DESCRIPTION	PRICE	-V
MC-ML-30 []	2 x 30 x 28	Metal Bevel Leg	1,464	-
MC-MLV-30 []	2 x 30 x 28	Metal Bevel Leg with Inset Veneer	1,646	-
MC-MLP-30 []	2 x 30 x 28	Metal Bevel Leg with Inset Paint	1,646	-
MC-ML-36 []	2 x 36 x 28	Metal Bevel Leg	1,646	-
MC-MLV-36 []	2 x 36 x 28	Metal Bevel Leg with Inset Veneer	1,828	-
MC-MLP-36 []	2 x 36 x 28	Metal Bevel Leg with Inset Paint	1,828	-
MC-MPL-30 []	2 x 30 x 28	Wood Panel Leg	-	1,004
MC-MPL-36 []	2 x 36 x 28	Wood Panel Leg	-	1,063

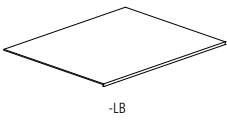
[] Specify Left (-L) and Right (-R) support



RUN-OFF DESKS



Half Modesty Panel



-LB

OPTIONS	CODE	PRICE	NOTES
Modesty Panel Options (Optional):			
Veneer Half Modesty Panel	-MPVH	\$1,237	
Painted Half Modesty Panel	-MPPH	\$1,139	
2"-Diameter Grommet Option:			
End Grommet	-MCGE	\$218	Grommets are not available with Power Blotter.
Center Grommet	-MCGC	\$218	Grommets are not available with Power Blotter.
Power Spec / USB Spec Option:			
End Power Spec or USB Spec	-SP-E		Power Spec / USB Spec are not available with Power Blotter. Power Spec / USB Spec specified separately. See page 69.
Center Power Spec or USB Spec	-SP-C		
Polished Chrome Options:			
Polished Chrome Grommet	-PCG	\$90	Upcharge per Grommet
Polished Chrome Metal Leg	-PCML	\$1,635	Upcharge per Leg
Power Blotter Options:			
Leather Power Blotter	-LB	\$1,560	Veneer Run-Off Tops 54" and greater only
Chicago Power for Power Blotter	-CHLB	No Charge	

GENERAL INFORMATION

- Grain Direction Runs Horizontal
- Veneer Inset Half High Modesty Panel (optional) is always inset 6" from the guest edge
- Power Blotter is only available on Veneer Run-Off Tops 54" and greater in width; Power Blotter is 28" wide x 21" deep on 30" worksurface and 23" deep on 36" worksurface; Power access trough includes 3 simplex receptacles and 1 USB-A+C; Interior dimensions - 28"L x 4"W x 2 1/2"D
- Cable management is included when power blotter is specified
- For Polished Metal Bevel Leg, specify -PCML
- Work surface power available on page 69
- Power Spec or USB Spec not available in individual work surfaces if Grommet option is selected
- Grommets and Power Specs are not available on work surfaces below an overhead due to wire management channel

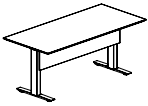
REQUIRED INFORMATION (ORDER CANNOT BE ENTERED WITHOUT THIS INFORMATION)

See appendix pages vi-vii for surface material options.

- Choose Veneer Finish
- Choose Metal Finish, if applicable
- Choose Paint Color, if applicable
- Choose Leather Finish, if applicable. Choose Spinneybeck Vincenza or Spinneybeck Volo colors from pages viii-ix. If no selection is made, the default choice will be Spinneybeck Vincenza Cinque Terre 2122.



RUN-OFF ADJUSTABLE HEIGHT DESK



MCAR-T-3666

SURFACE MATERIAL KEY

V Veneer Work surface

RECTANGLE RUN-OFF DESK

MODEL #	DEPTH	WIDTH	-V
MCAR-T-3048[]	30	48	4,653
MCAR-T-3054[]	30	54	4,893
MCAR-T-3060[]	30	60	4,746
MCAR-T-3066[]	30	66	5,350
MCAR-T-3072[]	30	72	5,563
MCAR-T-3648[]	36	48	5,040
MCAR-T-3654[]	36	54	5,314
MCAR-T-3660[]	36	60	5,589
MCAR-T-3666[]	36	66	5,835
MCAR-T-3672[]	36	72	6,080

[] Specify Left (L) or Right (R)



Half Modesty Panel

OPTIONS	CODE	PRICE	NOTES
Modesty Panel Options (Required):			
Veneer Half Modesty Panel	-MPVH	\$1,237	
Painted Half Modesty Panel	-MPPH	\$1,139	
2"-Diameter Grommet Option:			
Center Grommet	-WPRC	\$218	
Power Spec / USB Spec Option:			
Center Power Spec or USB Spec	-SP-C		Power Spec / USB Spec specified separately. See page 69.
Polished Chrome Options:			
Polished Chrome Grommet	-PCG	\$90	Upcharge per Grommet

GENERAL INFORMATION

- When specifying left and right, handedness is oriented to the user
- Work surface Height Range: 27-1/2" to 46"
- The programmable controller with presets is included, controller located on the Right side of the desk on the underside of the worksurface
- Height adjustment mechanism is warranted for two years
- Clear Anodized (CA) metal finish is not available on the height adjustable bases
- Desks can only accommodate mobile pedestals
- Metal Adjustable Height Run-Off Desk only available in powder coat finish
- Work surface power available on page 69
- Power Spec or USB Spec not available in individual work surfaces if Grommet option is selected

REQUIRED INFORMATION (ORDER CANNOT BE ENTERED WITHOUT THIS INFORMATION)

See appendix pages vi-vii for surface material options.

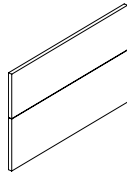
- Choose Veneer Finish
- Choose Metal Finish, if applicable
- Choose Paint Color, if applicable



BRIDGES



WORK SURFACE



BACK PANEL

SURFACE MATERIAL KEY

V Veneer Work surface

WORK SURFACE

MODEL #	DEPTH	WIDTH	-V
MCB-2436	24	36	1,467
MCB-2442	24	42	1,597
MCB-2448	24	48	1,699
MCB-2454	24	54	1,777
MCB-2460	24	60	1,827

BACK PANEL // ACCESS PANEL

MODEL #	WIDTH	HEIGHT	PRICE
MC-AP-36	36	26	1,096
MC-AP-42	42	26	1,175
MC-AP-48	48	26	1,246
MC-AP-54	54	26	1,314
MC-AP-60	60	26	1,381

BACK PANEL // FULL-HEIGHT PANEL

MODEL #	WIDTH	HEIGHT	PRICE
MC-FP-36	36	26	834
MC-FP-42	42	26	892
MC-FP-48	48	26	952
MC-FP-54	54	26	1,006
MC-FP-60	60	26	1,059

BACK PANEL // NO BACK PANEL

MODEL #	WIDTH	HEIGHT	PRICE
MC-NP-36	36	26	No Charge
MC-NP-42	42	26	No Charge
MC-NP-48	48	26	No Charge
MC-NP-54	54	26	No Charge
MC-NP-60	60	26	No Charge

OPTIONS	CODE	PRICE	NOTES
2"-Diameter Grommet Option: Center Grommet	-WPRC	\$218	
Power Spec / USB Spec Option: Center Power Spec or USB Spec	-SP-C		Power Spec / USB Spec specified separately. See page 69.
Polished Chrome Options: Polished Chrome Grommet	-PCG	\$90	Upcharge per Grommet

GENERAL INFORMATION

- Grain direction runs horizontal
- Work surface power available on page 69
- Power Spec or USB Spec not available in individual work surfaces if Grommet option is selected
- Grommets and Power Specs are not available on work surfaces below an overhead due to wire management channel.

REQUIRED INFORMATION (ORDER CANNOT BE ENTERED WITHOUT THIS INFORMATION)

- See appendix pages vi-vii for surface material options.
- Choose Veneer Finish



FREESTANDING CREDENZAS



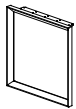
MCFC-2496

SURFACE MATERIAL KEY

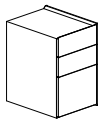
V Veneer Work surface

RECTANGLE WORK SURFACE

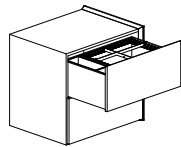
MODEL #	DEPTH	WIDTH	-V
MCFC-2460	24	60	2,162
MCFC-2466	24	66	2,362
MCFC-2472	24	72	2,558
MCFC-2478	24	78	2,748
MCFC-2484	24	84	2,935
MCFC-2490	24	90	3,122
MCFC-2496	24	96	3,305
MCFC-24102	24	102	3,483
MCFC-24108	24	108	3,660
MCFC-24114	24	114	3,838
MCFC-24120	24	120	4,008



MC-ES-1824



MCNR-LBF-1824



MCNR-LFO-3024

SURFACE MATERIAL KEY

VS Veneer Case with Paint Front
V Veneer

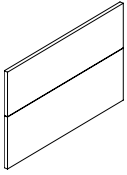
SUPPORT OPTIONS // SPECIFY SUPPORTS FROM LEFT TO RIGHT, INCLUDING ACCESS PANEL OR NO ACCESS PANEL

MODEL #	W x D x H	DESCRIPTION	-VS	-V
MERINO SERIES				
MC-ES-1824 []	18 x 24 x 28	End Support	-	1,255
MCNR-BBF-1824 []	18 x 24 x 28	Box/Box/File	4,164	4,164
MCNR-FF-1824 []	18 x 24 x 28	File/File	4,164	4,164
MCNR-LBF-1824 []	18 x 24 x 28	Laptop/Box/File	4,370	4,370
MCNR-LP-1824 []	18 x 24 x 28	Laptop/Printer Pedestal	5,408	5,408
MCNR-PP-1824 []	18 x 24 x 28	Printer Pedestal	4,952	4,952
MCNR-PD-1824 []	18 x 24 x 28	Tech Pedestal, Power Drawer w/ Door	4,036	4,036
MCNR-D-1824 []	18 x 24 x 28	Door	3,328	3,328
MCNR-DD-3024 []	30 x 24 x 28	Double Door	3,481	3,481
MCNR-DD-3624 []	36 x 24 x 28	Double Door	3,831	3,831
MCNR-LF-3024 []	30 x 24 x 28	Lateral File	4,018	4,018
MCNR-LF-3624 []	36 x 24 x 28	Lateral File	4,420	4,420
MCNR-LFO-3024 []	30 x 24 x 28	Lateral File with Organizer Boxes	4,293	4,293
MCNR-LFO-3624 []	36 x 24 x 28	Lateral File with Organizer Boxes	4,696	4,696

[] Specify Left (-L) and Right (-R) support



FREESTANDING CREDENZAS



BACK PANEL

BACK PANEL // ACCESS PANEL

MODEL #	WIDTH	HEIGHT	PRICE
MC-AP-6	6	26	642
MC-AP-12	12	26	739
MC-AP-18	18	26	838
MC-AP-24	24	26	928
MC-AP-30	30	26	1,016
MC-AP-36	36	26	1,096
MC-AP-42	42	26	1,175
MC-AP-48	48	26	1,246
MC-AP-54	54	26	1,314
MC-AP-60	60	26	1,381
MC-AP-66	66	26	1,437
MC-AP-72	72	26	1,492
MC-AP-78	78	26	1,539
MC-AP-84	84	26	1,586

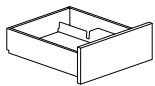
BACK PANEL // NO BACK PANEL

MODEL #	WIDTH	HEIGHT	PRICE
MC-NP-6	6	26	No Charge
MC-NP-12	12	26	No Charge
MC-NP-18	18	26	No Charge
MC-NP-24	24	26	No Charge
MC-NP-30	30	26	No Charge
MC-NP-36	36	26	No Charge
MC-NP-42	42	26	No Charge
MC-NP-48	48	26	No Charge
MC-NP-54	54	26	No Charge
MC-NP-60	60	26	No Charge
MC-NP-66	66	26	No Charge
MC-NP-72	72	26	No Charge
MC-NP-78	78	26	No Charge
MC-NP-84	84	26	No Charge



FREESTANDING CREDENZAS

OPTIONS	CODE	PRICE	NOTES
2" -Diameter Grommet Options:			
Center Grommet	-MCGC	\$218	Grommets are not available with Power Blotter.
Left Grommet	-MCGL	\$218	Grommets are not available with Power Blotter.
Right Grommet	-MCGR	\$218	Grommets are not available with Power Blotter.
Left and Right Grommet	-MCG2	\$434	Grommets are not available with Power Blotter.
Power Spec / USB Spec Options:			
Center Power Spec or USB Spec	-SP-C		Power Spec / USB Spec are not available with Power Blotter. Power Spec / USB Spec specified separately. See page 69.
Left Power Spec or USB Spec	-SP-L		
Right Power Spec or USB Spec	-SP-R		
Left & Right Power Spec or USB Spec	-SP-LR		
Polished Chrome Options:			
Polished Chrome Grommet	-PCG	\$90	Upcharge per Grommet
Pedestal Options:			
No Locks (Pedestals)	-NL	No Charge	
Power in Box Drawer	-PD	\$546	
No Leather in Box Drawer	-NLBD	DEDUCT \$348	Per Pedestal



-PD

GENERAL INFORMATION

- Grain direction runs horizontal
- Specify left to right support and outfit every inch of space with either pedestals or a combination of pedestals, end support, back panels, or no back panels
- 60"-wide work surface not available with center grommet when there is a 30"-wide support
- 72"-wide work surface not available with center grommet when the widths of the support pedestals equal 36"
- Pedestals and lateral files are standard with a lock
- Pedestal includes Integrated Pull
- Merino Series Box/Box/File pedestals include a pencil tray in upper box drawers
- Merino Series Pedestals have painted drawer boxes, undermount slides, low-profile hanger rails, and soft-close feature.
- Merino Series Box Drawers are leather lined and include polished dividers. Leather finish MUST be specified. Leather can be optioned off by specifying -NLBD option.
- Power Drawer includes 3 Simplex and 1 USB-A+C port (Data transfer) with a 15 Amp plug and a 72" cord
- Printer Pedestal and Laptop/Printer Pedestal must be located adjacent to knee space
- Power in Box Drawer option is only available on Merino Series upper box drawers on 18" wide pedestals only; Power option has 3 simplex receptacles and 1 USB-A+C port
- Wire Management is included
- Doors are standard with a Touch Latch Mechanism and cannot be specified with other pull options.
- Work surface power available on page 69
- Power Spec or USB Spec not available in individual work surfaces if Grommet option is selected
- Grommets and Power Specs are not available on work surfaces below an overhead due to wire management channel



Integrated Pull

REQUIRED INFORMATION (ORDER CANNOT BE ENTERED WITHOUT THIS INFORMATION)

See appendix pages vi-vii for surface material options.

- Choose Veneer Finish
- Choose Metal Finish, if applicable
- Choose Paint Color, if applicable
- Choose Leather Finish, if applicable. Choose Spinneybeck Vincenza or Spinneybeck Volo colors from pages viii-ix. If no selection is made, the default choice will be Spinneybeck Vincenza Cinque Terre 2122.
- Choose Polyurethane Finish, if applicable. Choose UltraFabrics Brisa colors from pages vii-ix.



SIDE CREDENZAS



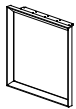
MCSC-2496

SURFACE MATERIAL KEY

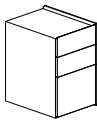
V Veneer Work surface

RECTANGLE WORK SURFACE

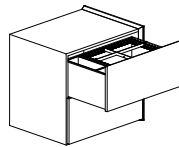
MODEL #	DEPTH	WIDTH	-V
MCSC-2460	24	60	2,162
MCSC-2466	24	66	2,362
MCSC-2472	24	72	2,558
MCSC-2478	24	78	2,748
MCSC-2484	24	84	2,935
MCSC-2490	24	90	3,122
MCSC-2496	24	96	3,305
MCSC-24102	24	102	3,483
MCSC-24108	24	108	3,660
MCSC-24114	24	114	3,838
MCSC-24120	24	120	4,008



MC-ES-1824



MCNR-LBF-1824



MCNR-LFO-3024

SURFACE MATERIAL KEY

VS Veneer Case with Paint Front
V Veneer

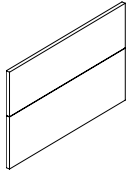
SUPPORT OPTIONS // SPECIFY SUPPORTS FROM LEFT TO RIGHT, INCLUDING ACCESS PANEL OR NO ACCESS PANEL

MODEL #	W x D x H	DESCRIPTION	-VS	-V
MERINO SERIES				
MC-ES-1824 []	18 x 24 x 28	End Support	-	1,255
MCNR-BBF-1824 []	18 x 24 x 28	Box/Box/File	4,164	4,164
MCNR-FF-1824 []	18 x 24 x 28	File/File	4,164	4,164
MCNR-LBF-1824 []	18 x 24 x 28	Laptop/Box/File	4,370	4,370
MCNR-LP-1824 []	18 x 24 x 28	Laptop/Printer Pedestal	5,408	5,408
MCNR-PP-1824 []	18 x 24 x 28	Printer Pedestal	4,952	4,952
MCNR-PD-1824 []	18 x 24 x 28	Tech Pedestal, Power Drawer w/ Door	4,036	4,036
MCNR-D-1824 []	18 x 24 x 28	Door	3,328	3,328
MCNR-DD-3024 []	30 x 24 x 28	Double Door	3,481	3,481
MCNR-DD-3624 []	36 x 24 x 28	Double Door	3,831	3,831
MCNR-LF-3024 []	30 x 24 x 28	Lateral File	4,018	4,018
MCNR-LF-3624 []	36 x 24 x 28	Lateral File	4,420	4,420
MCNR-LFO-3024 []	30 x 24 x 28	Lateral File with Organizer Boxes	4,293	4,293
MCNR-LFO-3624 []	36 x 24 x 28	Lateral File with Organizer Boxes	4,696	4,696

[] Specify Left (-L) and Right (-R) support



SIDE CREDENZAS



BACK PANEL

BACK PANEL // ACCESS PANEL

MODEL #	WIDTH	HEIGHT	PRICE
MC-AP-6	6	26	642
MC-AP-12	12	26	739
MC-AP-18	18	26	838
MC-AP-24	24	26	928
MC-AP-30	30	26	1,016
MC-AP-36	36	26	1,096
MC-AP-42	42	26	1,175
MC-AP-48	48	26	1,246
MC-AP-54	54	26	1,314
MC-AP-60	60	26	1,381
MC-AP-66	66	26	1,437
MC-AP-72	72	26	1,492
MC-AP-78	78	26	1,539
MC-AP-84	84	26	1,586

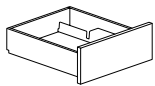
BACK PANEL // NO BACK PANEL

MODEL #	WIDTH	HEIGHT	PRICE
MC-NP-6	6	26	No Charge
MC-NP-12	12	26	No Charge
MC-NP-18	18	26	No Charge
MC-NP-24	24	26	No Charge
MC-NP-30	30	26	No Charge
MC-NP-36	36	26	No Charge
MC-NP-42	42	26	No Charge
MC-NP-48	48	26	No Charge
MC-NP-54	54	26	No Charge
MC-NP-60	60	26	No Charge
MC-NP-66	66	26	No Charge
MC-NP-72	72	26	No Charge
MC-NP-78	78	26	No Charge
MC-NP-84	84	26	No Charge



SIDE CREDENZAS

OPTIONS	CODE	PRICE	NOTES
2" -Diameter Grommet Options:			
Center Grommet	-MCGC	\$218	Grommets are not available with Power Blotter.
Left Grommet	-MCGL	\$218	Grommets are not available with Power Blotter.
Right Grommet	-MCGR	\$218	Grommets are not available with Power Blotter.
Left and Right Grommet	-MCG2	\$434	Grommets are not available with Power Blotter.
Power Spec / USB Spec Options:			
Center Power Spec or USB Spec	-SP-C		Power Spec / USB Spec are not available with Power Blotter. Power Spec / USB Spec specified separately. See page 69.
Left Power Spec or USB Spec	-SP-L		
Right Power Spec or USB Spec	-SP-R		
Left & Right Power Spec or USB Spec	-SP-LR		
Polished Chrome Options:			
Polished Chrome Grommet	-PCG	\$90	Upcharge per Grommet
Pedestal Options:			
No Locks (Pedestals)	-NL	No Charge	
Power in Box Drawer	-PD	\$546	
No Leather in Box Drawer	-NLBD	DEDUCT \$348	Per Pedestal



-PD

GENERAL INFORMATION

- Grain direction runs horizontal
- Specify left to right support and outfit every inch of space with either pedestals or a combination of pedestals, end support, back panels, or no back panels
- Pedestals and lateral files are standard with a lock
- Pedestal includes Integrated Pull
- Merino Series Box/Box/File pedestals include a pencil tray in upper box drawers
- Merino Series Pedestals have painted drawer boxes, undermount slides, low-profile hanger rails, and soft-close feature.
- Merino Series Box Drawers are leather lined and include polished dividers. Leather finish MUST be specified. Leather can be optioned off by specifying -NLBD option.
- Power Drawer includes 3 Simplex and 1 USB-A+C port (Data transfer) with a 15 Amp plug and a 72" cord
- Printer Pedestal and Laptop/Printer Pedestal must be located adjacent to knee space
- Power in Box Drawer option is only available on Merino Series upper box drawers on 18" wide pedestals only; Power option has 3 simplex receptacles and 1 USB-A+C port
- Wire Management is included
- Doors are standard with a Touch Latch Mechanism and cannot be specified with other pull options.
- Work surface power available on page 69
- Power Spec or USB Spec not available in individual work surfaces if Grommet option is selected
- Grommets and Power Specs are not available on work surfaces below an overhead due to wire management channel



Integrated Pull

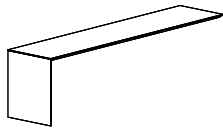
REQUIRED INFORMATION (ORDER CANNOT BE ENTERED WITHOUT THIS INFORMATION)

See appendix pages vi-vii for surface material options.

- Choose Veneer Finish
- Choose Metal Finish, if applicable
- Choose Paint Color, if applicable
- Choose Leather Finish, if applicable. Choose Spinneybeck Vincenza or Spinneybeck Volo colors from pages viii-ix. If no selection is made, the default choice will be Spinneybeck Vincenza Cinque Terre 2122.
- Choose Polyurethane Finish, if applicable. Choose UltraFabrics Brisa colors from pages vii-ix.



BACK CREDENZAS



MCBC-2496

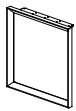
SURFACE MATERIAL KEY

V Veneer Work surface

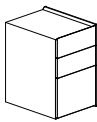
RECTANGLE WORK SURFACE // INCLUDES CORNER SUPPORT

MODEL #	DEPTH	WIDTH	-V
MCBC-2460	24	60	3,414
MCBC-2466	24	66	3,610
MCBC-2472	24	72	3,807
MCBC-2478	24	78	4,000
MCBC-2484	24	84	4,186
MCBC-2490	24	90	4,373
MCBC-2496	24	96	4,554
MCBC-24102	24	102	4,573
MCBC-24108	24	108	4,914
MCBC-24114	24	114	5,087
MCBC-24120	24	120	5,260

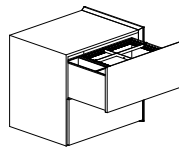
[] Specify Left (-L) and Right (-R) support



MC-ES-1824



MCNR-LBF-1824



MCNR-LFO-3024

SURFACE MATERIAL KEY

VS Veneer Case with Paint Front
V Veneer

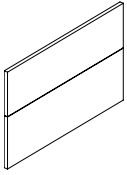
SUPPORT OPTIONS // SPECIFY SUPPORTS FROM LEFT TO RIGHT, INCLUDING ACCESS PANEL OR NO ACCESS PANEL

MODEL #	W x D x H	DESCRIPTION	-VS	-V
MERINO SERIES				
MC-ES-1824 []	18 x 24 x 28	End Support	-	1,255
MCNR-BBF-1824 []	18 x 24 x 28	Box/Box/File	4,164	4,164
MCNR-FF-1824 []	18 x 24 x 28	File/File	4,164	4,164
MCNR-LBF-1824 []	18 x 24 x 28	Laptop/Box/File	4,370	4,370
MCNR-LP-1824 []	18 x 24 x 28	Laptop/Printer Pedestal	5,408	5,408
MCNR-PP-1824 []	18 x 24 x 28	Printer Pedestal	4,952	4,952
MCNR-PD-1824 []	18 x 24 x 28	Tech Pedestal, Power Drawer w/ Door	4,036	4,036
MCNR-D-1824 []	18 x 24 x 28	Door	3,328	3,328
MCNR-DD-3024 []	30 x 24 x 28	Double Door	3,481	3,481
MCNR-DD-3624 []	36 x 24 x 28	Double Door	3,831	3,831
MCNR-LF-3024 []	30 x 24 x 28	Lateral File	4,018	4,018
MCNR-LF-3624 []	36 x 24 x 28	Lateral File	4,420	4,420
MCNR-LFO-3024 []	30 x 24 x 28	Lateral File with Organizer boxes	4,293	4,293
MCNR-LFO-3624 []	36 x 24 x 28	Lateral File with Organizer boxes	4,696	4,696

[] Specify Left (-L) and Right (-R) support



BACK CREDENZAS



BACK PANEL

BACK PANEL // ACCESS PANEL

MODEL #	WIDTH	HEIGHT	PRICE
MC-AP-6	6	26	642
MC-AP-12	12	26	739
MC-AP-18	18	26	838
MC-AP-24	24	26	928
MC-AP-30	30	26	1,016
MC-AP-36	36	26	1,096
MC-AP-42	42	26	1,175
MC-AP-48	48	26	1,246
MC-AP-54	54	26	1,314
MC-AP-60	60	26	1,381
MC-AP-66	66	26	1,437
MC-AP-72	72	26	1,492
MC-AP-78	78	26	1,539
MC-AP-84	84	26	1,586

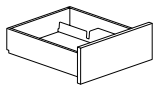
BACK PANEL // NO BACK PANEL

MODEL #	WIDTH	HEIGHT	PRICE
MC-NP-6	6	26	No Charge
MC-NP-12	12	26	No Charge
MC-NP-18	18	26	No Charge
MC-NP-24	24	26	No Charge
MC-NP-30	30	26	No Charge
MC-NP-36	36	26	No Charge
MC-NP-42	42	26	No Charge
MC-NP-48	48	26	No Charge
MC-NP-54	54	26	No Charge
MC-NP-60	60	26	No Charge
MC-NP-66	66	26	No Charge
MC-NP-72	72	26	No Charge
MC-NP-78	78	26	No Charge
MC-NP-84	84	26	No Charge



BACK CREDENZAS

OPTIONS	CODE	PRICE	NOTES
2"-Diameter Grommet Options:			
Center Grommet	-MCGC	\$218	Grommets are not available with Power Blotter.
Left Grommet	-MCGL	\$218	Grommets are not available with Power Blotter.
Right Grommet	-MCGR	\$218	Grommets are not available with Power Blotter.
Left and Right Grommet	-MCG2	\$434	Grommets are not available with Power Blotter.
Power Spec / USB Spec Options:			
Center Power Spec or USB Spec	-SP-C		Power Spec / USB Spec are not available with Power Blotter. Power Spec / USB Spec specified separately. See page 69.
Left Power Spec or USB Spec	-SP-L		
Right Power Spec or USB Spec	-SP-R		
Left & Right Power Spec or USB Spec	-SP-LR		
Polished Chrome Options:			
Polished Chrome Grommet	-PCG	\$90	Upcharge per Grommet
Pedestal Options:			
No Locks (Pedestals)	-NL	No Charge	
Power in Box Drawer	-PD	\$546	
No Leather in Box Drawer	-NLBD	DEDUCT \$348	Per Pedestal



-PD

GENERAL INFORMATION

- Grain direction runs horizontal
- Specify left to right support and outfit every inch of space with either pedestals or a combination of pedestals, end support, back panels, or no back panels
- Pedestals and lateral files are standard with a lock
- 60"-wide work surface not available with center grommet when there is a 30"-wide support
- 72"-wide work surface not available with center grommet when the widths of the support pedestals equal 36"
- Pedestal includes Integrated Pull
- Merino Series Box/Box/File pedestals include a pencil tray in upper box drawers
- Merino Series Pedestals have painted drawer boxes, undermount slides, low-profile hanger rails, and soft-close feature.
- Merino Series Box Drawers are leather lined and include polished dividers. Leather finish MUST be specified. Leather can be optioned off by specifying -NLBD option.
- Power Drawer includes 3 Simplex and 1 USB-A+C port (Data transfer) with a 15 Amp plug and a 72" cord
- Printer Pedestal and Laptop/Printer Pedestal must be located adjacent to knee space
- Power in Box Drawer option is only available on Merino Series upper box drawers on 18" wide pedestals only; Power option has 3 simplex receptacles and 1 USB-A+C port
- Wire Management is included
- Doors are standard with a Touch Latch Mechanism and cannot be specified with other pull options.
- Work surface power available on page 69
- Power Spec or USB Spec not available in individual work surfaces if Grommet option is selected
- Grommets and Power Specs are not available on work surfaces below an overhead due to wire management channel



Integrated Pull

REQUIRED INFORMATION (ORDER CANNOT BE ENTERED WITHOUT THIS INFORMATION)

See appendix pages vi-vii for surface material options.

- Choose Veneer Finish
- Choose Metal Finish, if applicable
- Choose Paint Color, if applicable
- Choose Leather Finish, if applicable. Choose Spinneybeck Vincenza or Spinneybeck Volo colors from pages viii-ix. If no selection is made, the default choice will be Spinneybeck Vincenza Cinque Terre 2122.
- Choose Polyurethane Finish, if applicable. Choose UltraFabrics Brisa colors from pages vii-ix.



RUN-OFF BACK CREDENZAS



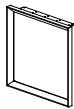
MCRC-2496

SURFACE MATERIAL KEY

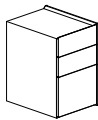
V Veneer Work surface

RECTANGLE WORK SURFACE // INCLUDES CORNER SUPPORT

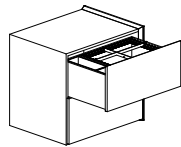
MODEL #	DEPTH	WIDTH	-V
MCRC-2460	24	60	2,162
MCRC-2466	24	66	2,362
MCRC-2472	24	72	2,558
MCRC-2478	24	78	2,748
MCRC-2484	24	84	2,935
MCRC-2490	24	90	3,122
MCRC-2496	24	96	3,305
MCRC-24102	24	102	3,483
MCRC-24108	24	108	3,660
MCRC-24114	24	114	3,838
MCRC-24120	24	120	4,008



MC-ES-1824



MCNR-LBF-1824



MCNR-LFO-3024

SURFACE MATERIAL KEY

VS Veneer Case with Paint Front
V Veneer

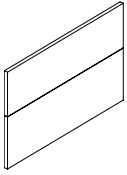
SUPPORT OPTIONS // SPECIFY SUPPORTS FROM LEFT TO RIGHT, INCLUDING ACCESS PANEL OR NO ACCESS PANEL

MODEL #	W x D x H	DESCRIPTION	-VS	-V
MERINO SERIES				
MC-ES-1824 []	18 x 24 x 28	End Support	-	1,255
MCNR-BBF-1824 []	18 x 24 x 28	Box/Box/File	4,164	4,164
MCNR-FF-1824 []	18 x 24 x 28	File/File	4,164	4,164
MCNR-LBF-1824 []	18 x 24 x 28	Laptop/Box/File	4,370	4,370
MCNR-LP-1824 []	18 x 24 x 28	Laptop/Printer Pedestal	5,408	5,408
MCNR-PP-1824 []	18 x 24 x 28	Printer Pedestal	4,952	4,952
MCNR-PD-1824 []	18 x 24 x 28	Tech Pedestal, Power Drawer w/ Door	4,036	4,036
MCNR-D-1824 []	18 x 24 x 28	Door	3,328	3,328
MCNR-DD-3024 []	30 x 24 x 28	Double Door	3,481	3,481
MCNR-DD-3624 []	36 x 24 x 28	Double Door	3,831	3,831
MCNR-LF-3024 []	30 x 24 x 28	Lateral File	4,018	4,018
MCNR-LF-3624 []	36 x 24 x 28	Lateral File	4,420	4,420
MCNR-LFO-3024 []	30 x 24 x 28	Lateral File with Organizer boxes	4,293	4,293
MCNR-LFO-3624 []	36 x 24 x 28	Lateral File with Organizer boxes	4,696	4,696

[] Specify Left (-L) and Right (-R) support



RUN-OFF BACK CREDENZAS



BACK PANEL

BACK PANEL // ACCESS PANEL

MODEL #	WIDTH	HEIGHT	PRICE
MC-AP-6	6	26	642
MC-AP-12	12	26	739
MC-AP-18	18	26	838
MC-AP-24	24	26	928
MC-AP-30	30	26	1,016
MC-AP-36	36	26	1,096
MC-AP-42	42	26	1,175
MC-AP-48	48	26	1,246
MC-AP-54	54	26	1,314
MC-AP-60	60	26	1,381
MC-AP-66	66	26	1,437
MC-AP-72	72	26	1,492
MC-AP-78	78	26	1,539
MC-AP-84	84	26	1,586

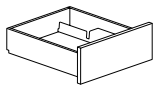
BACK PANEL // NO BACK PANEL

MODEL #	WIDTH	HEIGHT	PRICE
MC-NP-6	6	26	No Charge
MC-NP-12	12	26	No Charge
MC-NP-18	18	26	No Charge
MC-NP-24	24	26	No Charge
MC-NP-30	30	26	No Charge
MC-NP-36	36	26	No Charge
MC-NP-42	42	26	No Charge
MC-NP-48	48	26	No Charge
MC-NP-54	54	26	No Charge
MC-NP-60	60	26	No Charge
MC-NP-66	66	26	No Charge
MC-NP-72	72	26	No Charge
MC-NP-78	78	26	No Charge
MC-NP-84	84	26	No Charge



RUN-OFF BACK CREDENZAS

OPTIONS	CODE	PRICE	NOTES
2"-Diameter Grommet Options:			
Center Grommet	-MCGC	\$218	Grommets are not available with Power Blotter.
Left Grommet	-MCGL	\$218	Grommets are not available with Power Blotter.
Right Grommet	-MCGR	\$218	Grommets are not available with Power Blotter.
Left and Right Grommet	-MCG2	\$434	Grommets are not available with Power Blotter.
Power Spec / USB Spec Options:			
Center Power Spec or USB Spec	-SP-C		Power Spec / USB Spec are not available with Power Blotter. Power Spec / USB Spec specified separately. See page 69.
Left Power Spec or USB Spec	-SP-L		
Right Power Spec or USB Spec	-SP-R		
Left & Right Power Spec or USB Spec	-SP-LR		
Polished Chrome Options:			
Polished Chrome Grommet	-PCG	\$90	Upcharge per Grommet
Pedestal Options:			
No Locks (Pedestals)	-NL	No Charge	
Power in Box Drawer	-PD	\$546	
No Leather in Box Drawer	-NLBD	DEDUCT \$348	Per Pedestal



-PD

GENERAL INFORMATION

- Grain direction runs horizontal
- Specify left to right support and outfit every inch of space with either pedestals or a combination of pedestals, end support, back panels, or no back panels
- Pedestals and lateral files are standard with a lock
- 60"-wide work surface not available with center grommet when there is a 30"-wide support
- 72"-wide work surface not available with center grommet when the widths of the support pedestals equal 36"
- Pedestal includes Integrated Pull
- Merino Series Box/Box/File pedestals include a pencil tray in upper box drawers
- Merino Series Pedestals have painted drawer boxes, undermount slides, low-profile hanger rails, and soft-close feature.
- Merino Series Box Drawers are leather lined and include polished dividers. Leather finish MUST be specified. Leather can be optioned off by specifying -NLBD option.
- Power Drawer includes 3 Simplex and 1 USB-A+C port (Data transfer) with a 15 Amp plug and a 72" cord
- Printer Pedestal and Laptop/Printer Pedestal must be located adjacent to knee space
- Power in Box Drawer option is only available on Merino Series upper box drawers on 18" wide pedestals only; Power option has 3 simplex receptacles and 1 USB-A+C port
- Wire Management is included
- Doors are standard with a Touch Latch Mechanism and cannot be specified with other pull options.
- Work surface power available on page 69
- Power Spec or USB Spec not available in individual work surfaces if Grommet option is selected
- Grommets and Power Specs are not available on work surfaces below an overhead due to wire management channel



Integrated Pull

REQUIRED INFORMATION (ORDER CANNOT BE ENTERED WITHOUT THIS INFORMATION)

See appendix pages vi-vii for surface material options.

- Choose Veneer Finish
- Choose Metal Finish, if applicable
- Choose Paint Color, if applicable
- Choose Leather Finish, if applicable. Choose Spinneybeck Vincenza or Spinneybeck Volo colors from pages viii-ix. If no selection is made, the default choice will be Spinneybeck Vincenza Cinque Terre 2122.
- Choose Polyurethane Finish, if applicable. Choose UltraFabrics Brisa colors from pages vii-ix.



RETURNS



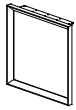
MCR-2460

SURFACE MATERIAL KEY

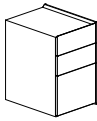
V Veneer Work surface

RECTANGLE WORK SURFACE // INCLUDES CORNER SUPPORT

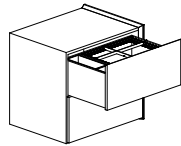
MODEL #	DEPTH	WIDTH	-V
MCR-2442	24	42	1,592
MCR-2448	24	48	1,723
MCR-2454	24	54	1,833
MCR-2460	24	60	1,913
MCR-2466	24	66	1,972
MCR-2472	24	72	2,008



MC-ES-1824



MCNR-LBF-1824



MCNR-LFO-3024

SURFACE MATERIAL KEY

VS Veneer Case with Paint Front
V Veneer

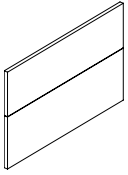
SUPPORT OPTIONS // SPECIFY SUPPORTS FROM LEFT TO RIGHT, INCLUDING ACCESS PANEL OR NO ACCESS PANEL

MODEL #	W x D x H	DESCRIPTION	-VS	-V
MERINO SERIES				
MC-ES-1824 []	18 x 24 x 28	End Support	-	1,255
MCNR-BBF-1824 []	18 x 24 x 28	Box/Box/File	4,164	4,164
MCNR-FF-1824 []	18 x 24 x 28	File/File	4,164	4,164
MCNR-LBF-1824 []	18 x 24 x 28	Laptop/Box/File	4,370	4,370
MCNR-LP-1824 []	18 x 24 x 28	Laptop/Printer Pedestal	5,408	5,408
MCNR-PP-1824 []	18 x 24 x 28	Printer Pedestal	4,952	4,952
MCNR-PD-1824 []	18 x 24 x 28	Tech Pedestal, Power Drawer w/ Door	4,036	4,036
MCNR-D-1824 []	18 x 24 x 28	Door	3,328	3,328
MCNR-DD-3024 []	30 x 24 x 28	Double Door	3,481	3,481
MCNR-DD-3624 []	36 x 24 x 28	Double Door	3,831	3,831
MCNR-LF-3024 []	30 x 24 x 28	Lateral File	4,018	4,018
MCNR-LF-3624 []	36 x 24 x 28	Lateral File	4,420	4,420
MCNR-LFO-3024 []	30 x 24 x 28	Lateral File with Organizer boxes	4,293	4,293
MCNR-LFO-3624 []	36 x 24 x 28	Lateral File with Organizer boxes	4,696	4,696

[] Specify Left (-L) and Right (-R) support



RETURNS



BACK PANEL

BACK PANEL // ACCESS PANEL

MODEL #	WIDTH	HEIGHT	PRICE
MC-AP-12	12	26	739
MC-AP-18	18	26	838
MC-AP-24	24	26	928
MC-AP-30	30	26	1,016
MC-AP-36	36	26	1,096
MC-AP-42	42	26	1,175
MC-AP-48	48	26	1,246
MC-AP-54	54	26	1,314

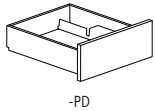
BACK PANEL // NO BACK PANEL

MODEL #	WIDTH	HEIGHT	PRICE
MC-NP-12	12	26	No Charge
MC-NP-18	18	26	No Charge
MC-NP-24	24	26	No Charge
MC-NP-30	30	26	No Charge
MC-NP-36	36	26	No Charge
MC-NP-42	42	26	No Charge
MC-NP-48	48	26	No Charge
MC-NP-54	54	26	No Charge

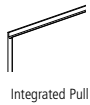


RETURNS

OPTIONS	CODE	PRICE	NOTES
2"-Diameter Grommet Options:			
Center Grommet	-MCGC	\$218	
Left Grommet	-MCGL	\$218	
Right Grommet	-MCGR	\$218	
Power Spec / USB Spec Options:			
Center Power Spec or USB Spec	-SP-C		Power Spec / USB Spec are not available with Power Blotter. Power Spec / USB Spec specified separately. See page 69.
Left Power Spec or USB Spec	-SP-L		
Right Power Spec or USB Spec	-SP-R		
Polished Chrome Options:			
Polished Chrome Grommet	-PCG	\$90	Upcharge per Grommet
Pedestal Options:			
No Locks (Pedestals)	-NL	No Charge	
Power in Box Drawer	-PD	\$546	
Organizer Drawer	-OD	\$1,718	
No Leather in Box Drawer	-NLBD	DEDUCT \$348	Per Pedestal



-PD



Integrated Pull

GENERAL INFORMATION

- Grain direction runs horizontal
- Specify left to right support and outfit every inch of space with either pedestals or a combination of pedestals, end support, back panels, or no back panels
- Pedestals and lateral files are standard with a lock
- 60"-wide work surface not available with center grommet when there is a 30"-wide support
- 72"-wide work surface not available with center grommet when the widths of the support pedestals equal 36"
- Pedestal includes Integrated Pull
- Merino Series Box/Box/File pedestals include a pencil tray in upper box drawers
- Merino Series Pedestals have painted drawer boxes, undermount slides, low-profile hanger rails, and soft-close feature.
- Merino Series Box Drawers are leather lined and include polished dividers. Leather finish MUST be specified. Leather can be optioned off by specifying -NLBD option.
- Power Drawer includes 3 Simplex and 1 USB-A+C port (Data transfer) with a 15 Amp plug and a 72" cord
- Printer Pedestal and Laptop/Printer Pedestal must be located adjacent to knee space
- Power in Box Drawer option is only available on Merino Series upper box drawers on 18" wide pedestals only; Power option has 3 simplex receptacles and 1 USB-A+C port
- Wire Management is included
- Doors are standard with a Touch Latch Mechanism and cannot be specified with other pull options.
- Work surface power available on page 69
- Power Spec or USB Spec not available in individual work surfaces if Grommet option is selected
- Grommets and Power Specs are not available on work surfaces below an overhead due to wire management channel
- Grommets are standard at center and end locations only, grommet is not standard nearest the seam between the Single Pedestal Desk and the Return.

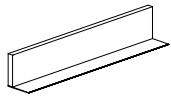
REQUIRED INFORMATION (ORDER CANNOT BE ENTERED WITHOUT THIS INFORMATION)

See appendix pages vi-vii for surface material options.

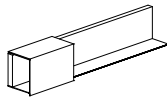
- Choose Veneer Finish
- Choose Metal Finish, if applicable
- Choose Paint Color, if applicable
- Choose Leather Finish, if applicable. Choose Spinneybeck Vincenza or Spinneybeck Volo colors from pages viii-ix. If no selection is made, the default choice will be Spinneybeck Vincenza Cinque Terre 2122.
- Choose Polyurethane Finish, if applicable. Choose UltraFabrics Brisa colors from pages vii-ix.



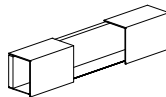
WALL-MOUNTED OVERHEADS



MCOW-S-96S



MCOW-SH130-96S



MCOW-SH136-96S

SURFACE MATERIAL KEY

- S Painted Hood Front
- V Veneer Hood Front
- G Glass Hood Front

ALUMINUM SHELF // SINGLE HEIGHT

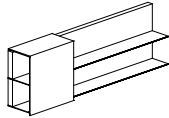
MODEL #	WIDTH	HEIGHT	DEPTH	DESCRIPTION	PRICE	-S	-V	-G
MCOW-S-60S	60	17	15-3/4	60" Shelf	4,753	-	-	-
MCOW-S-66S	66	17	15-3/4	66" Shelf	4,988	-	-	-
MCOW-S-72S	72	17	15-3/4	72" Shelf	5,226	-	-	-
MCOW-S-78S	78	17	15-3/4	78" Shelf	5,462	-	-	-
MCOW-S-84S	84	17	15-3/4	84" Shelf	5,702	-	-	-
MCOW-S-90S	90	17	15-3/4	90" Shelf	5,939	-	-	-
MCOW-S-96S	96	17	15-3/4	96" Shelf	6,174	-	-	-
MCOW-S-102S	102	17	15-3/4	102" Shelf	6,415	-	-	-
MCOW-S-108S	108	17	15-3/4	108" Shelf	6,647	-	-	-
MCOW-S-114S	114	17	15-3/4	114" Shelf	6,886	-	-	-
MCOW-S-120S	120	17	15-3/4	120" Shelf	7,127	-	-	-
MCOW-SH130-60S	60	18	15-3/4	60" Shelf with 30" Sliding Hood	6,845	6,845	7,667	
MCOW-SH130-66S	66	18	15-3/4	66" Shelf with 30" Sliding Hood	7,184	7,184	8,048	
MCOW-SH130-72S	72	18	15-3/4	72" Shelf with 30" Sliding Hood	7,527	7,527	8,431	
MCOW-SH130-78S	78	18	15-3/4	78" Shelf with 30" Sliding Hood	7,870	7,870	8,813	
MCOW-SH130-84S	84	18	15-3/4	84" Shelf with 30" Sliding Hood	8,211	8,211	9,197	
MCOW-SH130-90S	90	18	15-3/4	90" Shelf with 30" Sliding Hood	8,554	8,554	9,582	
MCOW-SH130-96S	96	18	15-3/4	96" Shelf with 30" Sliding Hood	8,896	8,896	9,963	
MCOW-SH130-102S	102	18	15-3/4	102" Shelf with 30" Sliding Hood	9,236	9,236	10,346	
MCOW-SH130-108S	108	18	15-3/4	108" Shelf with 30" Sliding Hood	9,582	9,582	10,727	
MCOW-SH130-114S	114	18	15-3/4	114" Shelf with 30" Sliding Hood	9,921	9,921	11,112	
MCOW-SH130-120S	120	18	15-3/4	120" Shelf with 30" Sliding Hood	10,262	10,262	11,495	
MCOW-SH230-90S	90	18	15-3/4	90" Shelf with Two 30" Sliding Hoods	9,128	9,128	10,224	
MCOW-SH230-96S	96	18	15-3/4	96" Shelf with Two 30" Sliding Hoods	9,494	9,494	10,634	
MCOW-SH230-102S	102	18	15-3/4	102" Shelf with Two 30" Sliding Hoods	9,858	9,858	11,040	
MCOW-SH230-108S	108	18	15-3/4	108" Shelf with Two 30" Sliding Hoods	10,224	10,224	11,451	
MCOW-SH230-114S	114	18	15-3/4	114" Shelf with Two 30" Sliding Hoods	10,588	10,588	11,858	
MCOW-SH230-120S	120	18	15-3/4	120" Shelf with Two 30" Sliding Hoods	10,955	10,955	12,269	
MCOW-SH136-60S	60	18	15-3/4	60" Shelf with 36" Sliding Hood	7,253	7,253	8,126	
MCOW-SH136-66S	66	18	15-3/4	66" Shelf with 36" Sliding Hood	7,616	7,616	8,531	
MCOW-SH136-72S	72	18	15-3/4	72" Shelf with 36" Sliding Hood	7,981	7,981	8,937	
MCOW-SH136-78S	78	18	15-3/4	78" Shelf with 36" Sliding Hood	8,343	8,343	9,340	
MCOW-SH136-84S	84	18	15-3/4	84" Shelf with 36" Sliding Hood	8,705	8,705	9,747	
MCOW-SH136-90S	90	18	15-3/4	90" Shelf with 36" Sliding Hood	9,067	9,067	10,152	
MCOW-SH136-96S	96	18	15-3/4	96" Shelf with 36" Sliding Hood	9,430	9,430	10,559	
MCOW-SH136-102S	102	18	15-3/4	102" Shelf with 36" Sliding Hood	9,791	9,791	10,965	
MCOW-SH136-108S	108	18	15-3/4	108" Shelf with 36" Sliding Hood	10,153	10,153	11,372	
MCOW-SH136-114S	114	18	15-3/4	114" Shelf with 36" Sliding Hood	10,517	10,517	11,776	
MCOW-SH136-120S	120	18	15-3/4	120" Shelf with 36" Sliding Hood	10,880	10,880	12,180	
MCOW-SH236-108S	108	18	15-3/4	108" Shelf with Two 36" Sliding Hoods	9,821	9,821	11,003	
MCOW-SH236-114S	114	18	15-3/4	114" Shelf with Two 36" Sliding Hoods	10,163	10,163	11,387	
MCOW-SH236-120S	120	18	15-3/4	120" Shelf with Two 36" Sliding Hoods	10,510	10,510	11,769	



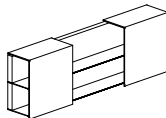
WALL-MOUNTED OVERHEADS



MCOW-S-96D



MCOW-SH130-96D



MCOW-SH136-96D

SURFACE MATERIAL KEY

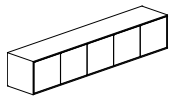
- S Painted Hood Front
- V Veneer Hood Front
- G Glass Hood Front

ALUMINUM SHELF // DOUBLE HEIGHT

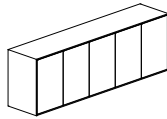
MODEL #	WIDTH	HEIGHT	DEPTH	DESCRIPTION	PRICE	-S	-V	-G
MCOW-S-60D	60	28-1/2	15-3/4	60" Shelf	7,650	-	-	-
MCOW-S-66D	66	28-1/2	15-3/4	66" Shelf	8,032	-	-	-
MCOW-S-72D	72	28-1/2	15-3/4	72" Shelf	8,415	-	-	-
MCOW-S-78D	78	28-1/2	15-3/4	78" Shelf	8,797	-	-	-
MCOW-S-84D	84	28-1/2	15-3/4	84" Shelf	9,181	-	-	-
MCOW-S-90D	90	28-1/2	15-3/4	90" Shelf	9,559	-	-	-
MCOW-S-96D	96	28-1/2	15-3/4	96" Shelf	9,943	-	-	-
MCOW-S-102D	102	28-1/2	15-3/4	102" Shelf	10,326	-	-	-
MCOW-S-108D	108	28-1/2	15-3/4	108" Shelf	10,705	-	-	-
MCOW-S-114D	114	28-1/2	15-3/4	114" Shelf	11,090	-	-	-
MCOW-S-120D	120	28-1/2	15-3/4	120" Shelf	11,472	-	-	-
MCOW-SH130-60D	60	29-1/2	15-3/4	60" Shelf with 30" Sliding Hood	8,554	8,554	10,092	
MCOW-SH130-66D	66	29-1/2	15-3/4	66" Shelf with 30" Sliding Hood	8,980	8,980	10,597	
MCOW-SH130-72D	72	29-1/2	15-3/4	72" Shelf with 30" Sliding Hood	9,406	9,406	11,101	
MCOW-SH130-78D	78	29-1/2	15-3/4	78" Shelf with 30" Sliding Hood	9,836	9,836	11,606	
MCOW-SH130-84D	84	29-1/2	15-3/4	84" Shelf with 30" Sliding Hood	10,262	10,262	12,106	
MCOW-SH130-90D	90	29-1/2	15-3/4	90" Shelf with 30" Sliding Hood	10,689	10,689	12,613	
MCOW-SH130-96D	96	29-1/2	15-3/4	96" Shelf with 30" Sliding Hood	11,119	11,119	13,115	
MCOW-SH130-102D	102	29-1/2	15-3/4	102" Shelf with 30" Sliding Hood	11,543	11,543	13,622	
MCOW-SH130-108D	108	29-1/2	15-3/4	108" Shelf with 30" Sliding Hood	11,974	11,974	14,125	
MCOW-SH130-114D	114	29-1/2	15-3/4	114" Shelf with 30" Sliding Hood	12,398	12,398	14,631	
MCOW-SH130-120D	120	29-1/2	15-3/4	120" Shelf with 30" Sliding Hood	12,828	12,828	15,136	
MCOW-SH230-90D	90	29-1/2	15-3/4	90" Shelf with Two 30" Sliding Hoods	11,409	11,409	13,462	
MCOW-SH230-96D	96	29-1/2	15-3/4	96" Shelf with Two 30" Sliding Hoods	11,863	11,863	13,997	
MCOW-SH230-102D	102	29-1/2	15-3/4	102" Shelf with Two 30" Sliding Hoods	12,320	12,320	14,537	
MCOW-SH230-108D	108	29-1/2	15-3/4	108" Shelf with Two 30" Sliding Hoods	12,776	12,776	15,076	
MCOW-SH230-114D	114	29-1/2	15-3/4	114" Shelf with Two 30" Sliding Hoods	13,233	13,233	15,614	
MCOW-SH230-120D	120	29-1/2	15-3/4	120" Shelf with Two 30" Sliding Hoods	13,686	13,686	16,154	
MCOW-SH136-60D	60	29-1/2	15-3/4	60" Shelf with 36" Sliding Hood	9,066	9,066	10,698	
MCOW-SH136-66D	66	29-1/2	15-3/4	66" Shelf with 36" Sliding Hood	9,516	9,516	11,231	
MCOW-SH136-72D	72	29-1/2	15-3/4	72" Shelf with 36" Sliding Hood	9,971	9,971	11,766	
MCOW-SH136-78D	78	29-1/2	15-3/4	78" Shelf with 36" Sliding Hood	10,425	10,425	12,301	
MCOW-SH136-84D	84	29-1/2	15-3/4	84" Shelf with 36" Sliding Hood	10,876	10,876	12,834	
MCOW-SH136-90D	90	29-1/2	15-3/4	90" Shelf with 36" Sliding Hood	11,330	11,330	13,368	
MCOW-SH136-96D	96	29-1/2	15-3/4	96" Shelf with 36" Sliding Hood	11,785	11,785	13,902	
MCOW-SH136-102D	102	29-1/2	15-3/4	102" Shelf with 36" Sliding Hood	12,235	12,235	14,437	
MCOW-SH136-108D	108	29-1/2	15-3/4	108" Shelf with 36" Sliding Hood	12,776	12,776	14,988	
MCOW-SH136-114D	114	29-1/2	15-3/4	114" Shelf with 36" Sliding Hood	12,706	12,706	14,996	
MCOW-SH136-120D	120	29-1/2	15-3/4	120" Shelf with 36" Sliding Hood	13,594	13,594	15,500	
MCOW-SH236-108D	108	29-1/2	15-3/4	108" Shelf with Two 36" Sliding Hoods	12,690	12,690	14,970	
MCOW-SH236-114D	114	29-1/2	15-3/4	114" Shelf with Two 36" Sliding Hoods	13,142	13,142	15,505	
MCOW-SH236-120D	120	29-1/2	15-3/4	120" Shelf with Two 36" Sliding Hoods	13,594	13,594	16,044	



WALL-MOUNTED OVERHEADS



MCOW-F-9017S



MCOW-F-9017D

SURFACE MATERIAL KEY

VS	Veneer Case with Paint Front
V	All Veneer
G	Veneer Case with Glass Front

FULL DOORS // SINGLE HEIGHT

MODEL #	WIDTH	HEIGHT	DEPTH	DESCRIPTION	-VS	-V	-VG
MCOW-F-7217S	72	16-3/4	17-1/4	4 Doors	6,920	6,920	8,507
MCOW-F-9017S	90	16-3/4	17-1/4	5 Doors	7,954	7,954	9,782
MCOW-F-10817S	108	16-3/4	17-1/4	6 Doors	8,782	8,782	10,800
MCOW-F-7219S	72	16-3/4	19-1/4	4 Doors	6,920	6,920	8,507
MCOW-F-9019S	90	16-3/4	19-1/4	5 Doors	7,954	7,954	9,782
MCOW-F-10819S	108	16-3/4	19-1/4	6 Doors	8,782	8,782	10,800

FULL DOORS // DOUBLE HEIGHT

MODEL #	WIDTH	HEIGHT	DEPTH	DESCRIPTION	-VS	-V	-VG
MCOW-F-7217D	72	29	17-1/4	4 Doors	10,696	10,696	13,150
MCOW-F-9017D	90	29	17-1/4	5 Doors	12,300	12,300	15,124
MCOW-F-10817D	108	29	17-1/4	6 Doors	13,581	13,581	16,700
MCOW-F-7219D	72	29	19-1/4	4 Doors	10,696	10,696	13,150
MCOW-F-9019D	90	29	19-1/4	5 Doors	12,300	12,300	15,124
MCOW-F-10819D	108	29	19-1/4	6 Doors	13,581	13,581	16,700

OPTIONS

OPTIONS	CODE	PRICE	NOTES
No Task Light	NT	DEDUCT \$689	Only allowed with Full Door Overheads
Satin Glass Options:			
Satin Glass on Single Height Overheads	-SGS	\$550	
Satin Glass on Double Height Overheads	-SGD	\$733	

GENERAL INFORMATION

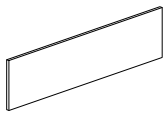
- Grain Direction is Horizontal
- Overheads with Full Doors include recessed LED task light; can be removed as an option
- Task lights can dim
- Aluminum Shelf depth is 12-11/16"; Aluminum Shelf is Clear Anodized (CA)
- Overhead depth is 17-1/4" or 19-1/4"; interior depth is 13-1/2" or 15-1/2"
- Overhead full height doors - single high = 16 - 3/4"; double high = 26 1/4"
- Glass overhead doors are frameless back-painted glass; glass is tempered
- Back-painted glass is low-iron glass
- Wall-Mounted Overheads are shipped with the necessary cleats for wall mounting. The hardware that attaches the cleats to the wall is not included.
- Customers are responsible for ensuring that the structural wall has adequate strength to support the overhead and its components.
- The recommended installation height for wall-mounted Single Height-70" Height Overheads is 23 - 3/4" from the top of the worksurface to the bottom of the overhead unit
- The recommended installation height for wall-mounted Double Height - 80" Height Overheads is 21-1/2' from the top of the worksurface to the bottom of the overhead unit
- Single height wall-mounted overheads can also be mounted at the 80" height to create a large tack area for monitors; for this application recommended installation height is 33-3/4" from the top of the worksurface to the bottom of the overhead unit
- Doors are standard with a Touch Latch Mechanism and cannot be specified with other pull options
- Door handing on full door overheads is optimized for ease of access to contents.
 - On 72" the two left doors open to the left and the two right doors open to the right.
 - On 96" overheads the three doors on the left open to the left and the two doors on the right open to the right.
 - On 108" overheads the first two doors on the left open left, the middle left door opens right, the middle right door opens left, and the two right doors open right.

REQUIRED INFORMATION (ORDER CANNOT BE ENTERED WITHOUT THIS INFORMATION)

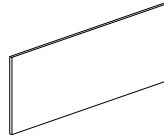
- See appendix pages vi-vii for surface material options.
- Choose Veneer Finish
 - Choose Metal Finish, if applicable (Satin Glass upcharges apply, see options above)
 - Choose Paint Color, if applicable



WALL-MOUNTED TACKBOARDS



MCWT-96-21



MCWT-96-33

FABRIC TACKBOARDS

FOR USE WITH DOUBLE HEIGHT 80" OVERHEADS

MODEL #	W X H	PANEL SECTIONS	YARDAGE	COM	A	B	C	D	E	F	G	H
MCWT-60-21	60 x 21-1/2	1	2	721	921	1,006	1,113	1,212	1,314	1,411	1,515	1,607
MCWT-66-21	66 x 21-1/2	1	2-1/4	770	995	1,103	1,212	1,328	1,437	1,550	1,657	1,752
MCWT-72-21	72 x 21-1/2	1	2-1/2	812	1,058	1,182	1,305	1,427	1,552	1,675	1,797	1,892
MCWT-78-21	78 x 21-1/2	1	2-3/4	856	1,128	1,263	1,398	1,531	1,672	1,807	1,940	2,037
MCWT-84-21	84 x 21-1/2	1	3	892	1,187	1,337	1,487	1,630	1,781	1,933	2,073	2,174
MCWT-90-21	90 x 21-1/2	1	3-1/4	929	1,252	1,412	1,570	1,732	1,890	2,058	2,215	2,309
MCWT-96-21	96 x 21-1/2	1	3-1/2	965	1,310	1,482	1,654	1,826	1,998	2,174	2,345	2,439
MCWT-102-21	102 x 21-1/2	2	3-3/4	999	1,368	1,555	1,738	1,929	2,111	2,292	2,479	2,580
MCWT-108-21	108 x 21-1/2	2	4	1,028	1,422	1,622	1,817	2,011	2,213	2,407	2,606	2,704
MCWT-114-21	114 x 21-1/2	2	4-1/4	1,057	1,472	1,681	1,892	2,102	2,316	2,522	2,733	2,832
MCWT-120-21	120 x 21-1/2	2	4-1/2	1,083	1,527	1,750	1,971	2,194	2,414	2,640	2,858	2,953

FABRIC TACKBOARDS

FOR USE WITH SINGLE HEIGHT 70" OVERHEADS

MODEL #	W X H	PANEL SECTIONS	YARDAGE	COM	A	B	C	D	E	F	G	H
MCWT-60-23	60 x 23-3/4	1	2	752	950	1,034	1,143	1,241	1,344	1,439	1,540	1,638
MCWT-66-23	66 x 23-3/4	1	2-1/4	799	1,022	1,133	1,241	1,354	1,465	1,577	1,684	1,782
MCWT-72-23	72 x 23-3/4	1	2-1/2	841	1,087	1,212	1,335	1,456	1,579	1,706	1,827	1,926
MCWT-78-23	78 x 23-3/4	1	2-3/4	888	1,156	1,293	1,427	1,564	1,699	1,837	1,968	2,068
MCWT-84-23	84 x 23-3/4	1	3	922	1,218	1,366	1,518	1,658	1,853	1,960	2,103	2,201
MCWT-90-23	90 x 23-3/4	1	3-1/4	964	1,282	1,441	1,603	1,758	1,919	2,087	2,244	2,337
MCWT-96-23	96 x 23-3/4	1	3-1/2	995	1,339	1,515	1,683	1,854	2,033	2,201	2,374	2,470
MCWT-102-23	102 x 23-3/4	2	3-3/4	1,028	1,399	1,582	1,772	1,957	2,139	2,323	2,509	2,606
MCWT-108-23	108 x 23-3/4	2	4	1,058	1,451	1,651	1,849	2,042	2,242	2,435	2,635	2,730
MCWT-114-23	114 x 23-3/4	2	4-1/4	1,084	1,502	1,712	1,926	2,130	2,346	2,551	2,762	2,859
MCWT-120-23	120 x 23-3/4	2	4-1/2	1,112	1,556	1,778	2,002	2,222	2,442	2,669	2,888	2,983

FABRIC TACKBOARDS

FOR USE WITH SINGLE HEIGHT 80" OVERHEADS

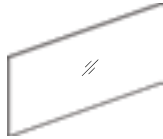
MODEL #	W X H	PANEL SECTIONS	YARDAGE	COM	A	B	C	D	E	F	G	H
MCWT-60-33	60 x 33-3/4	1	2	782	978	1,063	1,176	1,268	1,368	1,466	1,567	1,666
MCWT-66-33	66 x 33-3/4	1	2-1/4	824	1,050	1,162	1,268	1,383	1,496	1,606	1,718	1,814
MCWT-72-33	72 x 33-3/4	1	2-1/2	871	1,113	1,241	1,362	1,486	1,608	1,735	1,854	1,954
MCWT-78-33	78 x 33-3/4	1	2-3/4	914	1,185	1,320	1,456	1,592	1,731	1,864	1,996	2,094
MCWT-84-33	84 x 33-3/4	1	3	951	1,246	1,396	1,548	1,686	1,840	1,990	2,135	2,228
MCWT-90-33	90 x 33-3/4	1	3-1/4	991	1,309	1,467	1,630	1,786	1,950	2,113	2,274	2,371
MCWT-96-33	96 x 33-3/4	1	3-1/2	1,020	1,367	1,540	1,713	1,883	2,061	2,228	2,401	2,499
MCWT-102-33	102 x 33-3/4	2	3-3/4	1,058	1,432	1,615	1,797	1,987	2,167	2,349	2,538	2,634
MCWT-108-33	108 x 33-3/4	2	4	1,084	1,482	1,679	1,878	2,071	2,272	2,464	2,666	2,760
MCWT-114-33	114 x 33-3/4	2	4-1/4	1,112	1,529	1,741	1,954	2,162	2,374	2,583	2,791	2,888
MCWT-120-33	120 x 33-3/4	2	4-1/2	1,142	1,588	1,808	2,034	2,253	2,474	2,696	2,918	2,983



WALL-MOUNTED TACKBOARDS



MCWG-96-21



MCWG-96-33

GLASS MAGNETIC BOARD

FOR USE WITH DOUBLE HEIGHT 80" OVERHEADS

MODEL #	W X H	PANEL SECTIONS	PRICE
MCWG-60-21	60 x 23-3/4	1	3,188
MCWG-66-21	66 x 23-3/4	1	3,320
MCWG-72-21	72 x 23-3/4	1	3,454
MCWG-78-21	78 x 23-3/4	1	3,757
MCWG-84-21	84 x 23-3/4	1	4,067
MCWG-90-21	90 x 23-3/4	1	4,391
MCWG-96-21	96 x 23-3/4	1	4,719
MCWG-102-21	102 x 23-3/4	2	4,865
MCWG-108-21	108 x 23-3/4	2	5,015
MCWG-114-21	114 x 23-3/4	2	5,165
MCWG-120-21	120 x 23-3/4	2	5,314

GLASS MAGNETIC BOARD

FOR USE WITH SINGLE HEIGHT 70" OVERHEADS

MODEL #	W X H	PANEL SECTIONS	PRICE
MCWG-60-23	60 x 23-3/4	1	3,267
MCWG-66-23	66 x 23-3/4	1	3,401
MCWG-72-23	72 x 23-3/4	1	3,539
MCWG-78-23	78 x 23-3/4	1	3,853
MCWG-84-23	84 x 23-3/4	1	4,165
MCWG-90-23	90 x 23-3/4	1	4,501
MCWG-96-23	96 x 23-3/4	1	4,836
MCWG-102-23	102 x 23-3/4	2	4,988
MCWG-108-23	108 x 23-3/4	2	5,139
MCWG-114-23	114 x 23-3/4	2	5,294
MCWG-120-23	120 x 23-3/4	2	5,448

GLASS MAGNETIC BOARD

FOR USE WITH SINGLE HEIGHT 80" OVERHEADS

MODEL #	W X H	PANEL SECTIONS	PRICE
MCWG-60-33	60 x 23-3/4	1	3,349
MCWG-66-33	66 x 23-3/4	1	3,483
MCWG-72-33	72 x 23-3/4	1	3,626
MCWG-78-33	78 x 23-3/4	1	3,945
MCWG-84-33	84 x 23-3/4	1	4,266
MCWG-90-33	90 x 23-3/4	1	4,609
MCWG-96-33	96 x 23-3/4	1	4,952
MCWG-102-33	102 x 23-3/4	2	5,111
MCWG-108-33	108 x 23-3/4	2	5,266
MCWG-114-33	114 x 23-3/4	2	5,425
MCWG-120-33	120 x 23-3/4	2	5,579



WALL-MOUNTED TACKBOARDS

GENERAL INFORMATION

- For Use with Wall-Mounted overheads only
- Fabric Tackboard or Glass Magnetic Board must equal the length of the corresponding overhead
- Fabric Tackboards 102" and greater will have an even split two piece construction
- Glass Magnetic boards 102" and greater will have an even split two piece construction
- Glass Magnetic boards are only available in gloss finish options
- Back-painted glass is low-iron glass
- Magnets are included with Glass Magnetic Boards
- 21" High Tackboard, or Glass Magnetic Board should be specified for a Double Height Overhead mounted at 80" height
- 23" High Tackboard, or Glass Magnetic Board should be specified for a Single Height Overhead mounted at 70" height
- 33" High Tackboard, or Glass Magnetic Board should be specified for a Single Height Overhead mounted at 80" height
- See page ix for Fabric restrictions

REQUIRED INFORMATION (ORDER CANNOT BE ENTERED WITHOUT THIS INFORMATION)

See appendix pages vi-vii for surface material options.

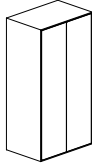
- Choose Veneer Finish
- Choose Glass Finish



TOWERS



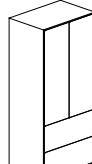
MCTS-1870



MCTR-3670



MCTSB-1884



MCTL-3684

SURFACE MATERIAL KEY

VS Veneer Case and Painted Front
V All Veneer

70"-HIGH TOWERS // MERINO SERIES

MODEL #	WIDTH	HEIGHT	DEPTH	DESCRIPTION	-VS	-V
MCTW-1270 []	12	70-1/4	24	Wardrobe w/ Mirror	5,043	5,043
MCTW-1870 []	18	70-1/4	24	Wardrobe w/ Shoe Tray & Mirror	5,897	5,897
MCTS-1870 []	18	70-1/4	24	Full Height Door with 4 Shelves	6,401	6,401
MCTSB-1870 []	18	70-1/4	24	Box, Box, File with Upper Door (Shelves)	7,110	7,110
MCTSF-1870 []	18	70-1/4	24	File, File with Upper Door (Shelves)	7,110	7,110
MCTWB-1870 []	18	70-1/4	24	Box, Box, File with Upper Door (Wardrobe w/ Mirror)	7,110	7,110
MCTWF-1870 []	18	70-1/4	24	File, File with Upper Door (Wardrobe w/ Mirror)	7,110	7,110
MCTR-3670 []	36	70-1/4	24	Full Height Door with Wardrobe, Shoe Tray, 2 Box Drawers, Bag Hooks, 1 Shelf, & Mirror	9,889	9,889
MCTL-3670 []	36	70-1/4	24	Two Lateral Files with Upper Doors for Wardrobe/Shelf	9,889	9,889

[] Specify Left (-L) and Right (-R) support

80"-HIGH TOWERS // MERINO SERIES

MODEL #	WIDTH	HEIGHT	DEPTH	DESCRIPTION	-VS	-V
MCTW-1280 []	12	80	24	Wardrobe w/ Mirror	5,294	5,294
MCTW-1880 []	18	80	24	Wardrobe w/ Shoe Tray & Mirror	6,190	6,190
MCTS-1880 []	18	80	24	Full Height Door with 5 Shelves	6,729	6,729
MCTSB-1880 []	18	80	24	Box, Box, File with Upper Door (Shelves)	7,468	7,468
MCTSF-1880 []	18	80	24	File, File with Upper Door (Shelves)	7,468	7,468
MCTWB-1880 []	18	80	24	Box, Box, File with Upper Door (Wardrobe w/ Mirror)	7,468	7,468
MCTWF-1880 []	18	80	24	File, File with Upper Door (Wardrobe w/ Mirror)	7,468	7,468
MCTR-3680 []	36	80	24	Full Height Door with Wardrobe, Shoe Tray, 2 Box Drawers, Bag Hooks, 2 Shelves, & Mirror	10,380	10,380
MCTL-3680 []	36	80	24	Two Lateral Files with Upper Doors for Wardrobe/Shelf	10,380	10,380

[] Specify Left (-L) and Right (-R) support

OPTIONS

Tower Options:

	CODE	PRICE	NOTES
Tower Locks	-L	\$278	
No Lateral File Lock	-NL	No Charge	
Power in Box Drawer	-PD	\$546	
No Leather in Box Drawer	-NLBD	DEDUCT \$348	Per Pedestal

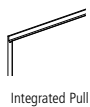
GENERAL INFORMATION

- Grain direction runs horizontal
- Specify left to right support and outfit every inch of space with either pedestals or a combination of pedestals, corner support, back panels, or no back panels
- Towers are standard without a lock
- Tower includes Integrated Pull
- 36" wide 2 Lateral Files are standard with a lock on the drawers and upper door
- Merino Series Box/Box/File pedestals include a pencil tray in upper box drawers
- Merino Series Towers have painted drawer boxes, undermount slides, low-profile hanger rails, and soft-close feature
- Merino Series Box Drawers are leather lined and include polished dividers. Leather finish MUST be specified. Leather can be optioned off by specifying -NLBD option.
- Hanger bar, coat hanger, and a mirror (13.5" w x 21" h) is included in all Merino Series Towers with a Wardrobe; 18" wide Wardrobe only Towers also include a pull out Shoe Tray at the bottom of the Wardrobe.
- Full-Height Doors and Upper Doors on Towers are standard with Touch Latch mechanism, specify pull option for Box and File drawers
- Freestanding 12"-wide (or smaller) towers must be fastened to the adjacent case

REQUIRED INFORMATION (ORDER CANNOT BE ENTERED WITHOUT THIS INFORMATION)

See appendix pages vi-vii for surface material options.

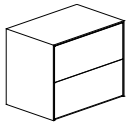
- Choose Veneer Finish
- Choose Metal Finish, if applicable
- Choose Paint Color, if applicable
- Choose Leather Finish, if applicable. Choose Spinneybeck Vincenza or Spinneybeck Volo colors from pages viii-ix. If no selection is made, the default choice will be Spinneybeck Vincenza Cinque Terre 2122.
- Choose Polyurethane Finish, if applicable. Choose UltraFabrics Brisa colors from pages vii-ix.



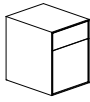
Integrated Pull



LATERAL FILES AND MOBILE PEDESTALS



LATERAL FILE



MOBILE PEDESTAL

SURFACE MATERIAL KEY

VS Veneer Case and Painted Front
 V Veneer

LATERAL FILES

MODEL #	WIDTH	HEIGHT	DEPTH	DESCRIPTION	-VS	-V
MCLF-2	36	29-1/2	24	2 High	6,804	6,804

MOBILE PEDESTAL

MODEL #	WIDTH	HEIGHT	DEPTH	-VS	-V
MCMP-BF-18	18	22-7/8	22	4,379	4,379

OPTIONS	CODE	PRICE	NOTES
Seat Cushion (1-1/2 yds)			
- COM Fabric	-SC2-COM	\$421	
- Grade A	-SC2-A	\$576	
- Grade B	-SC2-B	\$576	
- Grade C	-SC2-C	\$712	
- Grade D	-SC2-D	\$797	
- Grade E	-SC2-E	\$882	
- Grade F	-SC2-F	\$940	
- Grade G	-SC2-G	\$1,027	
- Grade H	-SC2-H	\$1,071	
Pedestal Options:			
No Lateral File Lock	-NL	No Charge	
No Leather in Box Drawer	-NLBD	DEDUCT \$348	Per Pedestal

GENERAL INFORMATION

- Grain direction runs horizontal
- Lateral files and mobile pedestal are standard with a lock
- Pedestal includes Integrated Pull
- Face locking standard, locks are always located on the right
- Merino Series Lateral Files have painted drawer boxes, sidemount slides, low profile hanger rails, and a soft close feature
- Recessed casters are standard on Mobile Pedestal
- Merino Series Pedestals have painted drawer boxes, undermount slides, low-profile hanger rails, and soft-close feature
- Merino Series Box Drawers are leather lined and include polished dividers. Leather finish MUST be specified. Leather can be optioned off by specifying -NLBD option.

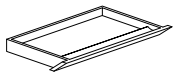
REQUIRED INFORMATION (ORDER CANNOT BE ENTERED WITHOUT THIS INFORMATION)

See appendix pages vi-vii for surface material options.

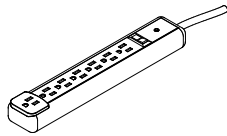
- Choose Veneer Finish, if applicable
- Choose Metal Finish, if applicable
- Choose Paint Finish, if applicable
- Choose Pull option for Pedestals: Integrated Pull (-MIP or -WIP)
- Choose Leather Finish, if applicable. Choose Spinneybeck Vincenza or Spinneybeck Volo colors from pages viii-ix. If no selection is made, the default choice will be Spinneybeck Vincenza Cinque Terre 2122.
- Choose Polyurethane Finish, if applicable. Choose UltraFabrics Brisa colors from pages vii-ix.



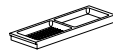
ACCESSORIES



ORGANIZER DRAWER



PLUG STRIP



PENCIL TRAY



MAGNETS

SURFACE MATERIAL KEY

V Veneer
P Paint

ORGANIZER DRAWER

MODEL #	W x D x H	DESCRIPTION	-V	-P
MC-OD	18 x 15 x 1-7/8	Organizer Drawer	1,546	1,467

GENERAL INFORMATION

- The bottom of the drawer can be leather or fabric.

SIGNATURE ORGANIZER DRAWER

MODEL #	W x D x H	DESCRIPTION	-V	-P
MC-SOD	36 x 15 x 1-7/8	Signature Organizer Drawer1	1,887	1,793

PLUG STRIP

MODEL #	W x D x H	DESCRIPTION	PRICE
MOA-10	2.05 x 11.69 x 1.32	Black Power Plug Strip	190

GENERAL INFORMATION

- 15 amps - Mounts into Wire Trough
- Includes (7) outlets, surge protection and 12' electrical cord

PENCIL TRAY

MODEL #	W x D x H	DESCRIPTION	PRICE
CVA-PT	6 x 18-1/4 x 1-1/4	Pencil Tray	225

COAT HANGER

MODEL #	DESCRIPTION	PRICE
CH-100	Coat Hanger	225

MAGNETS

MODEL #	DESCRIPTION	PRICE
MC-MAG	Six Magnets	114

GENERAL INFORMATION

- Organizer drawer is suitable for installation below desk work surfaces 30" deep or greater
- Organizer drawer cannot be installed below a Leather Power Blotter
- Signature Organizer Drawer matches Veneer finish on Veneer work surfaces and will default to white on Glass work surfaces unless another paint color is specified
- The Signature Drawer is only available on Freestanding Desks 72" Wide and 36" or 42" Deep
- The Signature Drawer is only for use with Metal Bevel Legs or Panel Legs NOT for use with pedestal supports



REQUIRED INFORMATION (ORDER CANNOT BE ENTERED WITHOUT THIS INFORMATION)

See appendix pages vi-vii for surface material options.

- Choose Veneer Finish
- Choose Leather Finish, if applicable. Choose Spinneybeck Vincenza or Spinneybeck Volo colors from pages viii-ix. If no selection is made, the default choice will be Spinneybeck Vincenza Cinque Terre 2122.



POWER AND DATA OPTIONS



POWER SPEC	MODEL #	DESCRIPTION	PRICE
 PWR-R-W	PWR-R-B	Round Power Spec with Black Faceplate	121
	PWR-R-W	Round Power Spec with White Faceplate	121
 PWR-SQ-W	PWR-SQ-B	Square Power Spec with Black Faceplate	121
	PWR-SQ-W	Square Power Spec with Faceplate	121

GENERAL INFORMATION

- Includes one simplex receptable
- 12' cord

REQUIRED INFORMATION: (ORDER CANNOT BE ENTERED WITHOUT THIS INFORMATION)
 See appendix pages vi-vii for surface material options.

- Choose Metal Finish: Satin Nickel (SNB) or Chrome (CB)
- Work surface must be specified with Spec location code to include cutout that accepts Spec unit

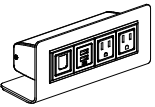
USB SPEC	MODEL #	DESCRIPTION	PRICE
 USB-C-R-W	USBC-R-B	Round Data Spec with Black Faceplate	253
	USBC-R-W	Round Data Spec with White Faceplate	253
 USB-C-SQ-W	USBC-SQ-B	Square Data Spec with Black Faceplate	253
	USBC-SQ-W	Square Data Spec with Faceplate	253

GENERAL INFORMATION

- Includes one charging USB-A+C
- 12' cord

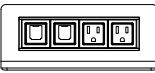
REQUIRED INFORMATION: (ORDER CANNOT BE ENTERED WITHOUT THIS INFORMATION)
 See appendix pages vi-vii for surface material options.

- Choose Metal Finish: Satin Nickel (SNB) or Chrome (CB)
- Work surface must be specified with Spec location code to include cutout that accepts Spec unit

TECH ZONE	MODEL #	DESCRIPTION	SIMPLEX OUTLETS	OPEN DATA PORTS	CHARGING USB-A+C	PRICE
 ZONE-USB-C	ZONE-DATA	(2) Simplex receptacles, (2) Open data ports	2	2	-	355
	ZONE-USB-C	(2) Simplex receptacles, (1) Charging USB-A+C, (1) Open data port	2	1	1	425

GENERAL INFORMATION

- 72" long plug-in infeed cord
- Finish is black
- Includes a Voice/Data Adapter Kit to accept couplers and jacks when required



ZONE-DATA



ZONE-USB-C



MEETING TABLES



ROUND



SQUARE



ELLIPSE



SOFT TRIANGLE

SURFACE MATERIAL KEY

Veneer Top

- VP Polished Stainless Leg with Painted Shroud
- VV Polished Stainless Leg with Veneer Shroud

Glass Top

- GP Polished Stainless Leg with Painted Shroud
- GV Polished Stainless Leg with Veneer Shroud

Stone/Quartz Top

- SP Polished Stainless Leg with Painted Shroud
- SV Polished Stainless Leg with Veneer Shroud

ROUND TABLE

MODEL #	DIAMETER	BASE QTY.	TOP SECTIONS	SEATING CAPACITY	-VP	-VV	-GP	-GV	-SP	-SV
MCRO-36	36	1	1	3	5,505	5,505	7,704	7,704	12,704	12,704
MCRO-42	42	1	1	4	5,898	5,898	8,254	8,254	13,618	13,618
MCRO-48	48	1	1	5	6,287	6,287	8,797	8,797	14,513	14,513
MCRO-54	54	1	1	6	6,674	6,674	9,340	9,340	15,409	15,409

SQUARE TABLE

MODEL #	DIAMETER	BASE QTY.	TOP SECTIONS	SEATING CAPACITY	-VP	-VV	-GP	-GV	-SP	-SV
MCSQ-48	48x48	1	1	4	6,287	6,287	8,797	8,797	14,513	14,513
MCSQ-54	54x54	1	1	4	6,674	6,674	9,340	9,340	15,409	15,409

ELLIPSE TABLE

MODEL #	DIAMETER	BASE QTY.	TOP SECTIONS	SEATING CAPACITY	-VP	-VV	-GP	-GV	-SP	-SV
MCEL-3060	30x60	1	1	4	8,832	8,832	11,382	11,382	15,796	15,796
MCEL-3872	38x72	1	1	6	11,480	11,480	14,844	14,844	24,489	24,489
MCEL-4278	42x78	1	1	6	12,288	12,288	15,979	15,979	26,361	26,361
MCEL-4884	48x84	1	1	8	13,192	13,192	17,238	17,238	-	-

SOFT TRIANGLE TABLE

MODEL #	DIAMETER	BASE QTY.	TOP SECTIONS	SEATING CAPACITY	-VP	-VV	-GP	-GV	-SP	-SV
MCST-4463	44x63	1	1	3	11,479	11,479	14,844	14,844	20,573	20,573

OPTIONS

2"-Diameter Grommet Options:

DESCRIPTION	CODE	PRICE	NOTES
Center Grommet	-MCGC	\$218	Grommets are not available with Power Blotter. Upcharge per Grommet
Polished Chrome Grommet	-PCG	\$90	

Power Dot Options:

DESCRIPTION	CODE	PRICE	NOTES
(2) Simplex	PDOT1	\$392	NOTE: For Ellipse Tables, a location code must be specified. See location codes on page <?>.
(1) Simplex, (1) Data	PDOT2	\$392	
(1) Simplex, (1) USB-A+C	PDOT3-C	\$499	

DESCRIPTION	CODE	PRICE	NOTES
Field-Wired	Add -FW		May be required in New York City, Chicago and San Francisco. Check with an electrician for local codes and requirements.

DESCRIPTION	CODE	PRICE
Satin Glass	-RSG	\$398



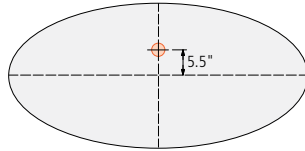
PDOT3-C



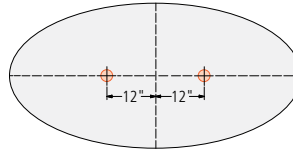
MEETING TABLES

ELLIPSE LOCATION CODES	POWER DOT	LOCATION	QUANTITY OF UNITS TO ORDER
	PD-36	One Power Dot centrally located for table desk applications	1
	PD-43	One Power Dot at each end for conference applications	2

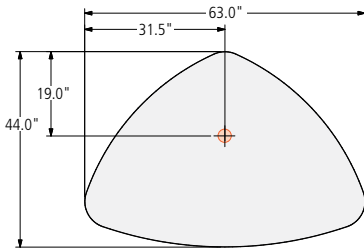
PD-36 Ellipse Power Dot Location



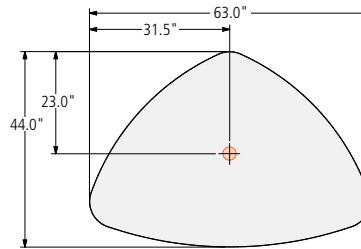
PD-43 Ellipse Power Dot Location



Soft Triangle Grommet Location



Soft Triangle Power Dot Location



GENERAL INFORMATION

- Base is Polished Stainless Steel
- When a painted shroud is selected for the table base and the top material is glass or stone, the subtop will default to match the painted shroud
- When a veneer shroud is selected with a glass top, the subtop will be painted to match the glass
- If a veneer shroud is selected for the table base and the top material is a Nucraft standard stone, the subtop will depend on the stone selection: For Absolute Black, Quartz Raven, or Quartz Concrete, the subtop will be painted Galaxy (S8006). For Bianco Carrara, Quartz Blizzard, or Quartz Pure White Stone, the subtop will be painted Cloud (S8004). For Quartz Linen, the subtop will be painted Burnished (S88).
- When Grommet is selected on Round or Square tables, the Grommet is located in the middle of the table
- Power Dot option includes 72" power cord
- Power Dot finish is Satin Nickel
- PDOT2 includes one open data port. Voice/data modules must be ordered separately, contact your local AV integrator.
- Power Dot is centered on Round and Square tables.
- When specifying Power Dot on Ellipse Meeting tables, a location code must be specified
- Round, Square and Soft Triangle Meeting tables can only accommodate one Power Dot or one Grommet
- Power Spec and USB Spec not available as standard on Merino meeting tables

REQUIRED INFORMATION (ORDER CANNOT BE ENTERED WITHOUT THIS INFORMATION)

See appendix pages vi-vii for surface material options.

- Choose Veneer Finish, if -VP, -VV, -GV or -SV base is selected
- Choose Glass Finish, if -GP or -GV base is selected (Satin Glass upcharges apply, see options above)
- Choose Metal Finish, if grommet (-MCGC) is selected
- Choose Paint Color, if -VP, -GP or -SP base is selected



Appendix



GENERAL INFORMATION

This price book supercedes all previous versions.

Before placing your order, confirm you have all required information necessary. Lead times for orders begin after all required information is included and correct.

Delivery Information

We know lead times are important and sticking to them even more so. We work to maintain a 6-8 week lead time on all standard products in this book from receipt of a clean order. All orders are acknowledged with an approximate shipping date and will be invoiced with the price in effect at the date the purchase order is received. For current lead times, please review www.nucraft.com/resources/lead-times.

Shipping charges are prepaid (within the continental U.S.). Therefore, pricing is a delivered price based on normal ground transportation. If you have special instructions, need to ship by air, or are shipping to Alaska or Hawaii, contact Nucraft Customer Service. Nucraft can also help arrange to have products blanket wrapped for an additional charge. Contact the Nucraft Customer Service team or specify it on your purchase order.

Minimum Freight Charge: Any order below \$2,900 net will be assessed a \$475 net minimum freight charge (one per order).

Orders are subject to acquiring the materials required for manufacturing. Fulfillment can be affected by strikes, fires, embargoes and acts of government. These elements are beyond our control.

Nucraft offers a variety of services to accommodate a wide range of delivery requirements. Availability of these services is dependent on a number of factors and may not be offered with all shipments. Examples of delivery services that have additional fees include:

- Specific date
- Specific time of day, morning or afternoon
- Delivery to a warehouse before delivery to its final destination (unless product is picked up at the warehouse)

Contact the Nucraft Customer Service team for availability and pricing on these services.

Freight Terms

Shipping charges for Nucraft products are prepaid for standard delivery in the continental United States. Standard delivery is defined as follows: Product is delivered on a 53' trailer being pulled by a long-haul tractor (total length of 85'). Facility will receive delivery Monday through Friday between the hours of 8:00 AM and 4:00 PM. Facility has docks with levelers and a fork truck for unloading. Product will be loaded on load bars two levels high. Receiving facility is responsible to have personnel on hand to unload the truck upon arrival, drivers do not unload. Delivery sites or times that do not meet these criteria may be accommodated, but will incur a charge to cover additional shipping costs. Please **notify Nucraft a minimum of two weeks prior to shipment** to arrange special services and determine additional charges.

Storage

Nucraft has no storage facilities for finished product. If a customer cannot accept an order when it is ready for shipment, the customer must designate an alternative shipping address. If no address is provided, Nucraft may, at its discretion, transfer the product to storage. If product is transferred to an off-site storage facility, the customer may be charged for transportation to the facility and for any associated storage fees. Nucraft considers transfer of the product to a storage facility the equivalent of shipment, including invoicing and payment. Customers assume the risk of damage or loss during storage.

Transportation Times and Delays

Third party carriers that Nucraft contracts with will make reasonable efforts to accommodate requested delivery times and dates. Scheduled delivery appointments may, however, be delayed for a variety of reasons, including inclement weather, traffic, transportation equipment problems, and delays encountered at other delivery locations along the delivery route. Nucraft does not recommend scheduling activities that depend on the delivery appointment (for example, scheduling furniture installers to install furniture the day of the delivery appointment). Nucraft shall not be liable for any costs incurred as a result of a missed delivery appointment.

Shipment Damage Claims

Legal title to merchandise passes to the buyer upon acceptance by the carrier. Inspect all cartons upon delivery. Details of visible damage should be noted on the delivery receipt. Do not destroy packaging, transport to site, or install product if damage is found upon inspection. Inspection of products should be completed upon delivery to the receiver. If visible damage is apparent, a claim should be filed immediately with Nucraft Customer Service. If visible damage is not apparent, sign the delivery receipt "No visible damage." This will allow recourse for a concealed damage claim. Concealed damage claims must be filed within 15 days of receipt, **prior to transporting or installing any product.**

Do not destroy packing materials until shipment has been inspected. If damage is found, proceed to file a claim with Nucraft Customer Service.

Failure to make any claims against Nucraft within 15 days shall constitute acceptance of the merchandise and a waiver of any defects, errors or shortages discovered upon inspection.

Cancellations

Cancellations must be reviewed by our Customer Service team. Because we build your products to order, orders cannot be cancelled once processing has begun. Processing includes but is not limited to development of shop drawings and other engineering drawings. If cancellation is approved, a processing fee of 20-100% will be assessed based on the status of the order.

Change Order Policy

Nucraft will make every attempt to honor any reasonable change request to product provided that the request is received prior to start of production. Change orders will be accepted only if the request is made in writing and received in time to make the change. Nucraft reserves the right to increase our acknowledged price and ship date if necessary to make the requested changes. Please submit any change order request to our Customer Service team. Nucraft will assess charges to the customer as stipulated in the following:

- Standard Orders: Change orders received prior to production will be charged \$400 net to cover administrative costs.
- Special Orders: Change orders received prior to production will be charged \$400 net to cover administrative costs. There may be additional costs associated with engineering labor required for the change order.
- Change orders received after production must be evaluated by Nucraft. If approved, the charge will be \$400 net plus any restocking charges accumulated. There may be additional costs associated with engineering and/or manufacturing labor, as well as material costs, required for the change order.



GENERAL INFORMATION

Repair Authorization

Prior written approval is required for repairs of merchandise charged to Nucraft. Failure to do so will result in customer funded repairs.

Payment Terms

Deposits are required at the time of order due to the custom nature of our products. See information regarding Cancellations above.

Credit terms are available to qualified customers. Please contact AR@Nucraft.com to start the application process. Note that the credit application process requires a valid sales tax exemption or resale tax certificate, Form W-9, and three current trade references.

Credit Card Payments are accepted via web portal. Please contact AR@Nucraft.com for payment instructions. Note that a 2% convenience fee will be added for using this payment method and no early pay discounts are allowed on credit card payments.

Warranty

Nucraft Furniture is warranted to be free from defects in materials and workmanship for a period of ten years of single shift use. Limitations include:

- Mechanical Devices such as latches, casters, and other moving components are warranted for five years of the date of original delivery.
- Height adjustable components are warranted for two years of the date of original delivery.
- The following are warranted for one year of the date of original delivery:
 - Textiles
 - Electrical Components
 - Refrigeration Units
 - Custom Products not described in Nucraft's Catalogue

This warranty is applicable only if furniture is properly installed and maintained in an office environment. This warranty extends only to products manufactured and sold in North America and only to original purchasers acquiring new Nucraft product through authorized dealers or approved sellers.

During this warranty period, Nucraft's sole obligation is to repair or replace, at Nucraft's discretion, products which prove to be defective during the warranty period.

This warranty does not cover:

- Damage caused by a carrier.
- Damage from user modification, misuse, abuse, accident, or negligence.
- Customer's Own Material (COM) specified by the customer that is not a standard product offering.
- Color, grain, or texture of wood and other covering material.

Nucraft extends no other warranties, expressed or implied, including warranty of merchantability or fitness for a particular purpose. Nucraft shall not be liable for loss of time, inconvenience, commercial loss, incidental or consequential damages.

Environmental Statement

Nucraft is committed to supporting responsible environmental policies and practices in all that we do. We strive for sustainability, weighing our business decisions against the costs to the ecological, social and economic systems they affect.

Our products are manufactured to meet the credit requirements of the U.S. Green Building Council's LEED rating systems in one or more of the following categories:

- Recycled Content
- Certified Wood
- Low-Emitting Materials

Computer Aided Planning

Nucraft products and pricing are available via CET and 2020 Cap, an AutoCAD®-based space planning tool.

2020 Cap is an integrated software system developed specifically for interior designers and facility planners to enhance workplace performance. This modern suite of applications works together seamlessly, in concert. Navigate catalogs, select products, design in plan view and 3D, assign options, create worksheets and build a project where you want, when you want. Take your pick. It's dynamic and interactive. Design projects are a work in progress. And now you can perform any of the many discrete tasks that go into a project any time, any place.

For additional information, you may contact 2020 Cap direct at 800-227-0038.

Product symbols (Revit, 2D and 3D) are available on the Nucraft website at www.nucraft.com/resources/product-symbols.

iSpec®

Nucraft offers a free online product configuration and specification service that saves you time and allows you to be creative while leaving the nuts and bolts to someone else. No specific software is required, nor is there any learning curve. This service applies to all Nucraft products. For additional information, call 1-877-NUCRAFT and ask for the iSpec Team or log on to www.nucraft.com/resources/ispec.



FINISH INFORMATION

Surface Materials Palette

We crafted our materials palette using the same demanding standards that distinguish our furniture. Thoughtful design and attention to every detail elevate your possibilities.

Anchored by NuCraft veneers, unrivaled for clarity, quality, and depth of finish, our collection of surface materials comprises a sophisticated set of balanced elements that supports your design vision.

Some elements have their roots in NuCraft’s rich heritage. Others are new materials and reflect current trends and taste. Together, they ensure that you’re ready for today and positioned well for the future. Beautifully.

Custom Finishes

NuCraft specializes in expert custom finish matching. For a nominal upcharge we can provide custom finishes, and we are frequently asked to match the finishes of other furniture manufacturers. For finishes that appear unusual to match or for customers directly requesting a sample, a finish sample will be sent for approval prior to entering the order.

Custom finishes requiring colored varnishes to create a painted look can only be applied to Maple veneer and require one extra week in addition to the standard lead time. NuCraft’s standard black finish (G82) can be applied to all NuCraft standard veneers. Walnut is the standard black veneer. Other species must be specified when ordering.

Clear coat on a special veneer requires an approved sample.

Custom finishes carry a 10% upcharge per item, per finish, capped at \$2,100 List.

Custom finish upcharges are not applied to any item that is not wood. Example: casters, ganging connectors, power options..

Treatments

Note: Default veneer sheen will vary per finish and product. Default finish is bolded on pages vi-vii. If no direction is provided on incoming orders, default sheen will be selected. In addition, default veneer cut is noted in the price list. If no direction is provided on incoming orders, default cut will be selected.

Gloss: Gloss is a durable finish that tends to nicely mask normal wear and leaves wood grain visible to the eye. It achieves a medium gloss open pore appearance (40 – 50 sheen range). Finish numbers preceded by the letter “G” indicate a Gloss finish.

Matte: Like Gloss, Matte is durable, tends to nicely mask normal wear and leaves wood grain visible to the eye. It achieves a low luster, open pore appearance (10 – 20 sheen range). Finish numbers preceded by the letter “M” indicate a Matte finish.

Since each veneer type responds differently to both types of treatment, all will have a distinctive look and feel when finished. For example, a Walnut veneer with a Gloss treatment will remain much more textured than a Cherry veneer with the same treatment.

About the Wood

All NuCraft veneers are carefully selected for uniformity of color and grain. Still, wood is a natural substance and minor variations may occur due to its own uniqueness. Because of this, the furniture you receive may not be an exact match to our samples.

NuCraft takes great pride in our finish color consistency. However, wood is a natural product that will have color variation within a single piece of furniture, as well as from one piece to the next. Other factors also affect color over time, such as exposure to light (both intensity and duration). For example, lighter finishes cause more variation in colors over time.

In cases where a returning customer wants a precise match with existing furniture, we recommend sending a sample of the existing furniture finish. Please contact NuCraft Customer Service to determine an appropriate sample. This will ensure a finish match between old and new orders. This type of order is considered a control sample. There will be a 10% upcharge on an order of this type. Due to natural aging of veneers, natural finishes may vary.

Care and Maintenance of Wood Finishes

Our finish material is a crystal clear, urethane acrylic blend. This type of finish may be repaired in the field by a qualified refinisher.

NuCraft recommends using a damp cloth to clean your fine wood furniture. Always wipe with the grain of the wood. Should your wood furniture require a more thorough cleaning, we recommend using a mild cleaner such as Joy dish soap or Murphy’s oil soap, thoroughly diluted in water (one part soap to thirty parts water). Water will not damage NuCraft’s finish, but it may leave surface spots when it dries. To avoid this, dry the surface with a soft cloth after it is cleaned. Marks that cannot be removed with the cleaning methods above may be able to be removed using naphtha, a mild degreasing solvent.

Caution: while the use of polishes that contain wax, petroleum solvents or silicones may immediately enhance the “shine” of a product, it may also eventually remove the fine original finish applied in our factory. Silicone on the surface of wood may also make it very difficult to respray or refinish.

All NuCraft furniture is inspected and polished before it leaves our factory. In some instances, the packing materials may imprint on the factory polish. Cleaning and polishing the furniture once it is unpacked will normally restore the furniture to its original beauty.

In some cases, the rubber support feet used on the bottom of common office equipment (teleconferencing phones, laptops, microphones, copiers, etc.) can create unsightly marks in the surface of wood tops, due to oxidation of the lacquer finish. We suggest these machines be placed on a protective type of padding, such as felt.

Wood will fade as a result of exposure to UV light. This is particularly prevalent with light finishes. If color changes due to fading are a concern for your application, the impact can be minimized by selecting medium to dark stains for your wood surfaces. Our top coat includes a UV inhibitor which makes the finishes less prone to fading.



FINISH INFORMATION

Laminates

Selected Formica®, Nevamar®, and Wilsonart® laminates are available on Training Tables, Conference Tables, Conference Room Furniture and select Occasional Tables. For standard laminate and wood pricing, refer to individual item pricing columns.

Non-Standard Laminates and Linoleums

To order a color other than those on our list (see pages vi-vii), refer to Nevamar or Formica standard grade, matte texture laminate offerings and Forbo Furniture Linoleums (excluding manufacturers' non-standard matte offering).

Nucraft can support other laminate and linoleum options beyond what can be found as standard options on pages vi-viii. For pricing, please send a request to quotes@nucraft.com.

Care and Maintenance of Laminate and Novawrap

Laminate and Novawrap surfaces may be cleaned with a damp cloth and ordinary soap or non-abrasive household liquid detergent. Dry the surface with a clean cloth or soft paper towel to prevent streaks from appearing.

Care and Maintenance of Metal

Metal surfaces can be wiped with a damp cloth and rubbed dry. A mild non-abrasive household liquid detergent can be used if necessary. Regular maintenance of metal components, including tightening of fasteners and light lubrication of moving parts, will extend the life of your furniture.

Satin Etched Glass

Glass color may vary slightly on multi-piece conference table tops over 180" x 60" when satin etched glass is specified due to the iron content and etching process of the glass.

Care and Maintenance of Glass

Clear or frosted glass may be cleaned with commercial glass cleaner. Be sure to use a lint-free cloth if cleaning the frosted side of the glass.

Stone and Solid Surface Material

Despite its reputation for durability, natural stone can easily be broken during handling and/or installation if proper techniques are not followed. In addition, Nucraft is not responsible for the installation of natural stone or solid surface materials on its products. Therefore, installers specifically trained in the installation of these materials must be utilized to ensure a quality installation. Nucraft shall not be liable for any damages incurred during the handling and/or installation of natural stone or solid surface materials on its products.

Care and Maintenance of Granite

Granite surfaces may be cleaned with a damp cloth and ordinary soap or non-abrasive household liquid detergent. Dry the surface with a clean cloth or soft paper towel to prevent streaks from appearing.

Care and Maintenance of Leather

Genuine leather requires very little care. Nucraft recommends that leather be dusted regularly. If a more thorough cleaning is needed, use lukewarm water and a mild, non-abrasive soap. Generate some lather and lightly rub the surface with cheesecloth. Rinse off any soap film with clean water and towel dry. The leather may dry dull. To restore the leather to a normal gloss, rub it with a clean towel. Never use furniture polish, oil, varnish or ammonia. Saddle soap may be used to prevent the leather from becoming brittle or cracked and to maintain the original supple finish.

Touch Up Finish Kits

Model #	Description	Price
KIT-M	Metal Kit	85
KIT-P	Paint Kit	85
KIT-S	Stain Kit	85

REQUIRED INFORMATION: (ORDER CANNOT BE ENTERED WITHOUT THIS INFORMATION)

- Kit model number
- Quantity of kits
- Specify finish (See pages vi-vii)

General Information:

- Touch-up kits must be ordered on a purchase order separate from Nucraft product due to Hazmat shipping

Retrofit & Replacements

If needing a partial placement or retrofit solution, please reach out to our quote team. Grain/color matched in a set.



MERINO® SURFACE MATERIALS

WOOD FINISHES

STANDARD

Default veneer sheen will vary per finish and were determined by a team of experts who reviewed the colorways to determine if gloss or matte best highlighted the natural characteristics of the species of wood and the color of the stain. Default finish is bolded. If no direction is provided, default sheen will be selected.

	Matte	Gloss
Flat Cut Oak		
Dune	M05	G05
Portobello	M7413	G7413
Flaky Oak		
Sahara	M61	G61
Quarter Cut Cherry		
Cognac	M21	G21
Auburn	M93	G93
Quarter Cut Maple		
Natural Maple	M60	G60
Quarter Cut Walnut		
Marron	M35	G35
Mocha	M33	G33
Zinc	M30	G30
Onyx	M82	G82
Otter	M31	G31
Linea		
Oak Linea	M08	G08
Walnut Linea	M27	G27
Euro Birch Linea	M09	G09
Silver Birch Linea	M10	G10
Quarter Cut Paldao		
Thicket	M75	G75
Paldao	M76	G76
Canyon	M77	G77

METAL FINISHES

Powder Coat

Aged Bronze	A8010
Black	A44
Burnished	A8009
Cloud	A8004
Foil	A8006
Galaxy	A8007
Moonlight	A87
Satin Bronze	A8011
Shadow	A8005
Storm	A8012

Metal

Clear Anodized*	CA
Polished Chrome**	PC

*Pulls finish option only

**Up-Charge applies. Metal Bevel Legs, Pulls, and Grommet finish option only.

PAINTS

	Gloss	High Gloss [†]
Aged Bronze	S8010	-
Black	S44	-
Burnished	S88	-
Cloud	S8004	HS8004
Foil	S8006	-
Galaxy	S8007	-
Moonlight	S87	-
Satin Bronze	S8011	-
Shadow	S8005	-
Storm	S8012	-

Paint to Match

To request a custom paint color, contact Nucraft Customer Service. A paint sample must be matched and approved prior to order.

[†]High Gloss paint only available on vertical applications.

GLASS (SATIN OR GLOSS)

	Satin	Gloss
Black	BS	-
Clove	VS	VG
Meringue	MS	MG
Moonlight	MLS	MLG
Quill	QS	QG
Storm	STS	STG
White	WS	WG



MERINO® MEETING TABLE SURFACE MATERIALS

STONE TOPS

Stone orders may affect lead times. Please contact Nucraft Customer Service for details.

Stone		Subtop Paint Color
Absolute Black Honed Granite	ST01	S8007
Carrara Marble	ST16	S8004

Quartz | Cambria® Signature

Ainsley	STC100	S8004
Armitage	STC101	S44
Avalene	STC192	S8004
Bellingham	STC102	S8004
Berkeley	STC103	S8004
Berwyn	STC104	S8004
Blackbrook	STC105	S44
Bradshaw	STC106	S8004
Bradwell	STC107	S8004
Cambria Black	STC109	S44
Carrick	STC110	S44
Clifton	STC112	S8004
Colton	STC113	S8004
Copeland	STC200	S8004
Crowndale	STC114	S8004
Devon	STC115	S44
Fairbourne	STC116	S8004
Fieldstone	STC117	S44
Hadley	STC201	S8004
Halewood	STC119	S8004
Hermitage	STC120	S8004
Kendal	STC122	S8004
Laneshaw	STC124	S44
MacBeth	STC202	S8004
Malvern	STC125	S8004
Montgomery	STC128	S8004
New Quay	STC130	S8004
Pendle Hill	STC131	S8004
Praa Sands	STC132	S8004
Ridgegate	STC203	S8004
Rose Bay	STC133	S8004
Sandgate	STC135	S8004
Seacourt	STC204	S8004
Smithfield	STC136	S8004
Sutherland	STC138	S8004
Swanbridge	STC139	S8004
Torquay	STC140	S8004
Trafalgar	STC205	S8004
Travella	STC141	S8004
Weybourne	STC143	S8004
Whitendale	STC206	S8004
Whitney	STC144	S8004
Woodcroft	STC146	S44

Quartz | Cambria® Luxury

Abbey	STC147	S8004
Annaleigh - Luxe	STC193	S8004
Annicca	STC148	S8004
Beckington	STC150	S8004
Bentley	STC151	S8004
Blackpool Matte	STC152	S44
Brighton	STC212	S8004
Brittanicca	STC153	S8004
Brittanicca Gold Cool	STC154	S8004
Brittanicca Gold Warm	STC155	S8004
Brittanicca Warm	STC156	S8004
Clovelly	STC158	S8004
Delamere	STC159	S44
Delgatie	STC160	S8004
Ella	STC161	S8004
Everleigh	STC162	S8004
Everleigh Warm	STC191	S8004
Gladstone	STC163	S8004
Golden Dragon	STC164	S44
Hailey	STC165	S8004
Harlow	STC166	S8004
Hemsworth	STC167	S8004
Huntley	STC168	S8004
Inverness Blakeley	STC190	S8004
Inverness Bristol Bay	STC169	S8004
Inverness Bronze	STC170	S8004
Inverness Cobalt	STC171	S8004
Inverness Everleigh	STC172	S8004
Inverness Frost	STC196	S8004
Inverness Gold	STC197	S8004
Inverness Platinum	STC173	S8004
Inverness Swansea	STC174	S8004
Ironsbridge	STC175	S8004
Iverness Frost	STC176	S8004
Iverness Gold	STC177	S8004
Lakedale	STC179	S8004
Mayfair	STC181	S8004
Mersey	STC182	S44
MonTaaj - Luxe & Satin	STC199	S8004
Notting Hill	STC183	S8004
Oakleigh	STC184	S8004
Portrush	STC185	S8004
Queen Anne	STC186	S8006
Remington Brass Satin	STC210	S44
Remington Steel Satin	STC211	S44
Skara Brae	STC187	S8004
Southport	STC188	S8004
White Cliff	STC189	S8004

Quartz | Wilsonart

Carrara Codena	ST21	S8004
Serene	ST17	S8004



UPHOLSTERY FABRIC

Applies to Pedestal Cushions

Nucraft is pleased to have partnered with KnollTextiles, Spinneybeck, and UltraFabrics to offer a concise selection of standard upholstery fabrics pre-approved for use on our products, with prices that are figured into our graded-in system. We've carefully curated a selection of each of the textile's color lines to coordinate with our materials offering. However, all colorways are approved and available as standard. Please contact fabric manufacturer for sampling support.

Knoll Felt* | K1207 | Grade C

Ivory	1
Apple	3
Canary	5
Poppy	7
Cadet	11
Mocha	15
Pewter	17
Tar	20

Knoll Hopsack* | K1206 | Grade C

Buff	1
Stucco	2
Lime	4
Magenta	9
Red	10
Admiral	11
Putty	13
Black	16

Knoll Hourglass* | K1523 | Grade A

Gull	2
Sandbar	3
Flax	5
Beeswax	6
Sizzle	9
Tart	11
Bluebird	13
Spring	16
Bark	21
Misty	24
Alley	27

*In addition to being available on all of our Pedestal cushion applications, these upholstery fabrics are approved for tackzone application on Nucraft products.

Spinneybeck Volo | VO | Grade F

Lichen	902
Rust	905
Talc	939
Mauve Beige	954
Oatmeal	957
Parchment	960
Petroglyph	962
Tuscany	963
Casablanca	975
Dromedary	977
Black	BLCK

Spinneybeck Vincenza | VZ | Grade E

Salvi	2101
Ponte Furo	2102
Villabalzana	2108
Castello di Bellaguardia	2112
Scamozzi	2114
Peralolo	2115
Costozza	2116
Nocciola	2117
Appia Antica	2120
Cinque Terre	2122
Black	BLCK

UltraFabrics Brisa Original | 533 | Grade B

French Vanilla	3866
Birch	3019
White	5747
Bone	3822
Shiitake	3022
New Sand	3946
Bark	3914
Peat	3200
Canyon	3825
Coffee Bean	3023
Black Onyx	5749

GRADED-IN FABRIC PROGRAM

Top quality upholstery and fabrics from some of the biggest names in the textile industry have been graded into this price list. For a current list of graded-in manufacturers and additional information on our graded-in fabrics program, please go to www.nucraft.com.

NET PRICE PER YARD	NUCRAFT GRADE
\$0 - \$25.00	A
\$25.01 - \$40.00	B
\$40.01 - \$55.00	C
\$55.01 - \$70.00	D
\$70.01 - \$85.00	E
\$85.01 - \$100.00	F
\$100.01 - \$115.00	G
\$115.01 - \$130.00	H



TACKZONE FABRIC

KNOLLTEXTILES

Nucraft is pleased to have partnered with KnollTextiles to offer a concise selection of standard fabrics pre-approved for use on our products, with prices that are figured into our graded-in system. We've carefully curated a selection of each of the textile's color lines to coordinate with our materials offering. However, all colorways are approved and available as standard. Please contact fabric manufacturer for sampling support.

All tackzone fabrics are applied railroaded

KnollTextiles Beacon | W1597 | Grade A

Spotlight	1
Tusk	2
Fossil	3
Marsh	4
Saffron	5
Hotshot	6
Bonfire	7
Reef	8
Nile	9
Putty	10
Cool Gray	11
Dust	12

KnollTextiles Reflect | W884 | Grade B

Ice	1A
Titanium	2A
Sterling*	3A
Ecru	5A
Ember	9A
Target	10A
Sharkskin	13A
Lagoon	14A

*Default Fabric

GRADED-IN FABRIC PROGRAM

Top quality upholstery and fabrics have been graded into the price list. We work with various distributors and now offer a larger selection of fabrics. For a current list of graded-in manufacturers, check our website at www.nucraft.com

NET PRICE PER YARD	N U C R A F T G R A D E
\$0 - \$25.00	A
\$25.01 - \$40.00	B
\$40.01 - \$55.00	C
\$55.01 - \$70.00	D
\$70.01 - \$85.00	E
\$85.01 - \$100.00	F
\$100.01 - \$115.00	G
\$115.01 - \$130.00	H

For additional information on our graded-in fabrics program, please go to www.nucraft.com.



COM SPECIFICATION

For COM orders please include the following:

- Name of customer
- Customer's purchase order number
- Model number and quantity of piece(s) to be covered
- Specify right-way or railroad application (railroad is the default if no selection is made)
- If fabric is a stripe or pattern, specify vertical or horizontal application
- Supplier's name, material number and description

YARDAGE ESTIMATING

All yardages in the price list are based on 54" wide plain (no match) fabric. The following is a guide for fabrics that are less than 54" wide or have a pattern match.

Fabric Less Than 54" Wide

- For 50" wide fabrics allow 10% additional fabric
- For 48" wide fabrics allow 15% additional fabric
- For 45" wide fabrics allow 20% additional fabric
- For 36" wide fabrics allow 50% additional fabric

For Pattern Match Fabrics

- 3" to 14" repeat allow 15% additional fabric
- 15" to 19" repeat allow 20% additional fabric
- 20" to 27" repeat allow 25% additional fabric
- 28" to 36" repeat allow 30% additional fabric

Nucraft may add a charge for sewing, cutting and matching unusual COM or COL materials to cover additional costs. Call customer service for pricing.

It is the sole responsibility of the customer to determine that the fabric is appropriate for the application in which it will be used.

Once COM/COL is accepted, Nucraft assumes no responsibility for its overall appearance, flammability, normal durability, color fastness or any other quality after upholstered on a Nucraft product beyond our normal quality standards.

FIRE RESISTANCE

Nucraft will only work with textiles that meet the ACT Voluntary Performance Guidelines:

- Nucraft fabric tack panels incorporate fabrics that meet the ASTM E 84 standard US flammability test for wrapped panels.
- Nucraft upholstery fabrics for benches and cushions must meet one or more of the following flammability tests; NFPA 260, NFPA 701, or CAL 117.
- All COM fabrics must meet the required flammability standards per fabric application.
- Nucraft reserves the right to decline any fabrics that do not meet ACT standard flammability requirements.

COM LEATHER SPECIFICS

The following is a guide for specifying leather requirements. The guide is based on the following general information.

A full "domestic" hide is approximately 50-60 square feet. A specialty or calf hide is approximately 35 square feet. Of this footage there are various non-usable areas included in the hide's size. Conversion of fabric yardage to leather is approximately 1 yard = 18 square feet.

Bench Requirements

48" benches will require 1/2 domestic hide or 1 full calf hide.

60" benches will require 1 domestic hide or 2 calf hides.

72" benches will require approximately 1 full domestic hide or 3 calf hides.

The boxing around the seat, if required, will have 4-6 seams that will be placed aesthetically based on the yield and usable remains of the hides.