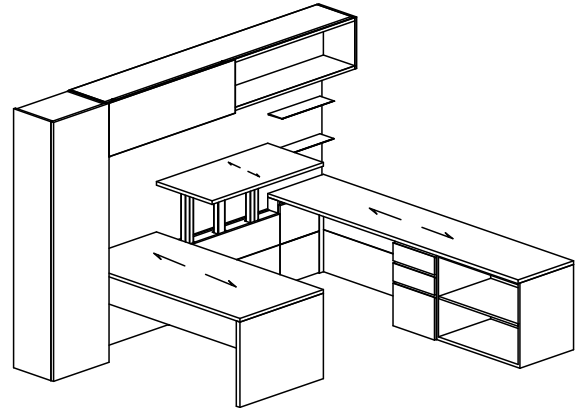
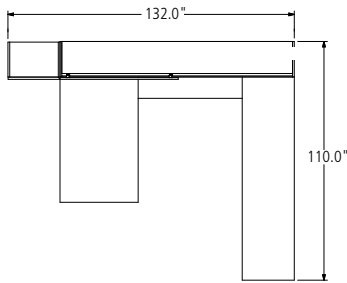




# ADJUSTABLE HEIGHT SECONDARY WORK SURFACE



## TYPICAL CAM-08-U // LEFT-HAND STATION

COMPONENT	MODEL #	DIMENSIONS	DESCRIPTION	PRICE
Tower	CBTW-24S-1784-L-V	24 x 17.5 x 84.5	Veneer Wardrobe Tower	4,343
Desk Work Surface	CBSD-3672-V	36 x 72	Veneer Work surface	2,764
Work Surface Support - Desk	CBPL-36-V	1.5 x 36	Work surface Support - Desk	1,114
Option: Modesty	-MPWH		Half Height Veneer Modesty Panel	965
Work Surface Support - Desk	CBPL-36-V	1.5 x 36	Veneer Panel Leg	1,114
Work Surface - Bridge	CBBR-2448-V	48 x 24	Veneer Work surface	1,324
Adj Height Work Surface Support - Bridge	CBA-W-48-V	48 x 5	Work surface Support Wall w/ Lift Mechanism	4,587
Work Surface Support - Side Credenza	CBPLH-24-V	5 x 24	Veneer Panel Support w/ Hinged Door	1,284
Work Surface - Credenza	CBC-24108-V	108 x 24	Veneer Work surface	2,847
Access Panel	CBAP-1S-V		Veneer Access Panel to Span Opening 49-66"	1,003
Work Surface Support - Run-Off Credenza	CBPS-BBF-1824-V	18 x 24	Veneer Box/ Box/ File Storage Pedestal	2,303
Work Surface Support - Run-Off Credenza	CBPS-LF-3624-V	36 x 24	Veneer Lateral File Storage Pedestal	2,793
Overhead	CBOW-1S-108S-V	108 x 17.25	Single High Overhead w/ 1 Sliding Door	7,515
Back Panel	CBPD-43108-V-24-MDS	108 x 43	Veneer Back Panel w/ Metal Display Shelves	3,934

Private Office List Price: \$42,903