

NUCRAFT

Two4Six Media Table Installation Instructions

ID: 0077

Before Beginning Installation

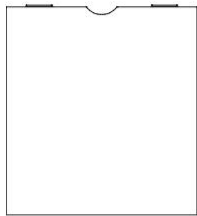
- Read through the entire instruction thoroughly
- A minimum of 2 people are required for this assembly
- These instructions reflect typical assemblies; They may not match your specific configuration

Required Tools

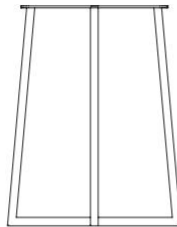
- Drill Driver
- #2 and #3 Phillips Bit
 - Level

Base Options

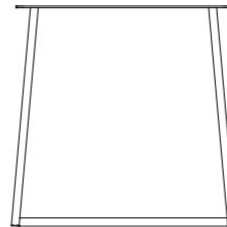
ages 482-509



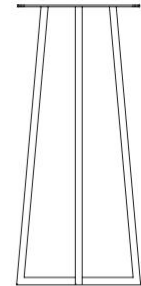
Slab



Open Frame



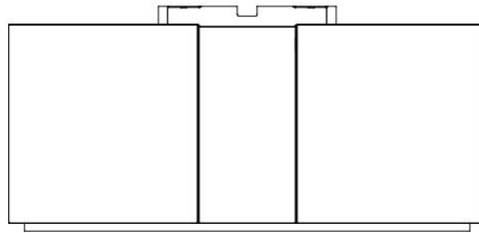
Open Frame Square



Open Frame Standing



Post Leg



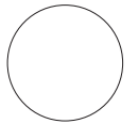
Credenza



Cylinder Base

NOTE: Two different base styles may be used on one worksurface

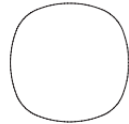
Top Shapes



Round



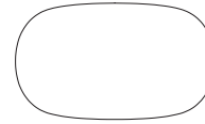
Square



Soft Square



Rectangle



Soft Rectangle

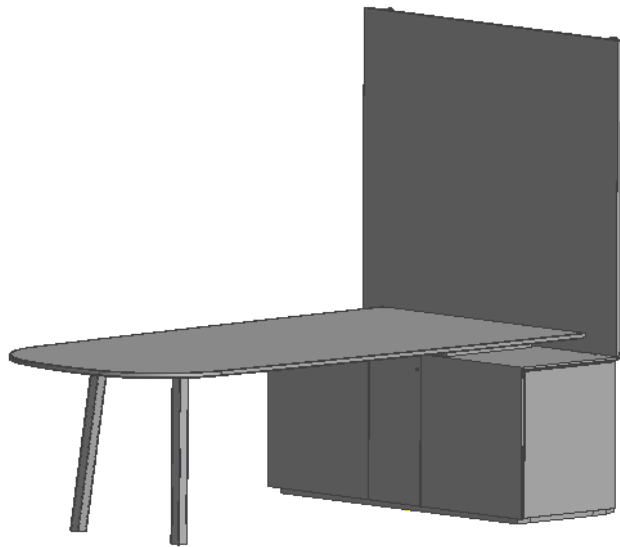


D-Shape

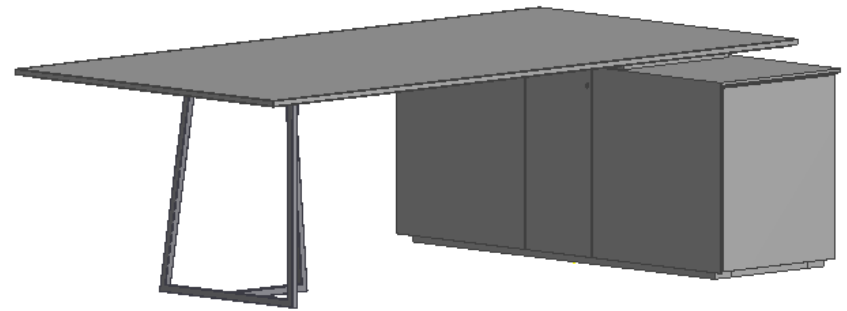
Table Type

Table Type	Pages
Credenza Base	Pages 7 - 13
Slab Base	Pages 14 - 21
Wall Mount	Pages 22 - 27

Credenza Base - Post Leg/Open Leg Setup



Credenza Base with Post Leg and Monitor Panel



Credenza Base with Open Frame Leg

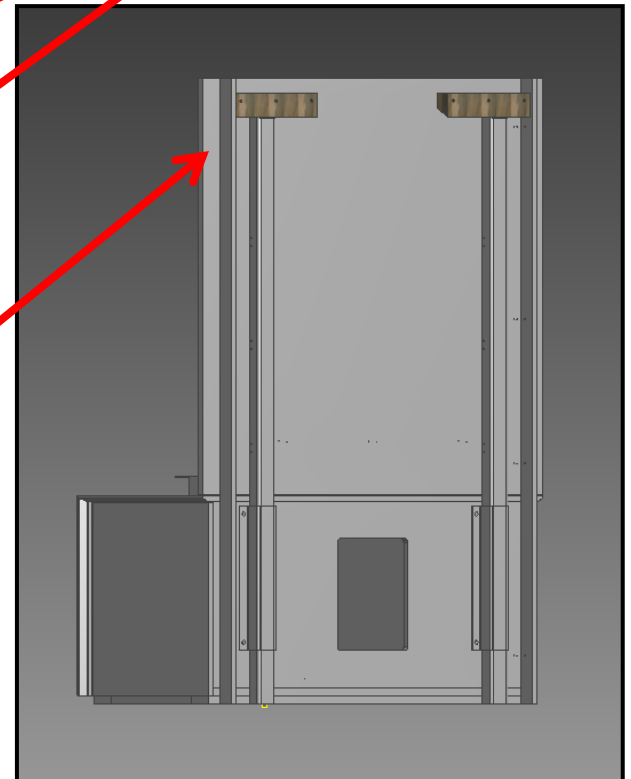
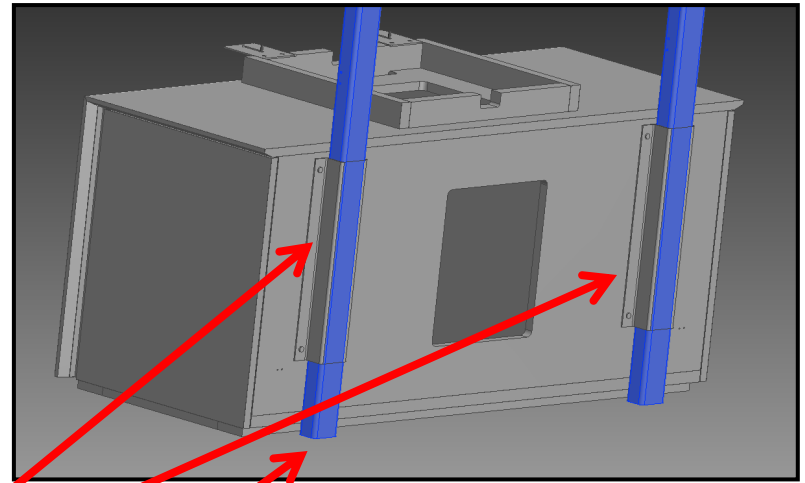
Step 1

Setup Credenza

- Place the Credenza in the desired final location

The following steps on this page are for Monitor Panel Stations

- Insert the stanchions into the back of the credenza
- Loosen the glides at the bottom of the stanchions. The glides should be fully extended, as they will be adjusted later
- Lift the fixed wall onto the stanchions as shown at right.
- Adjust the glides to level the back wall



Step 2

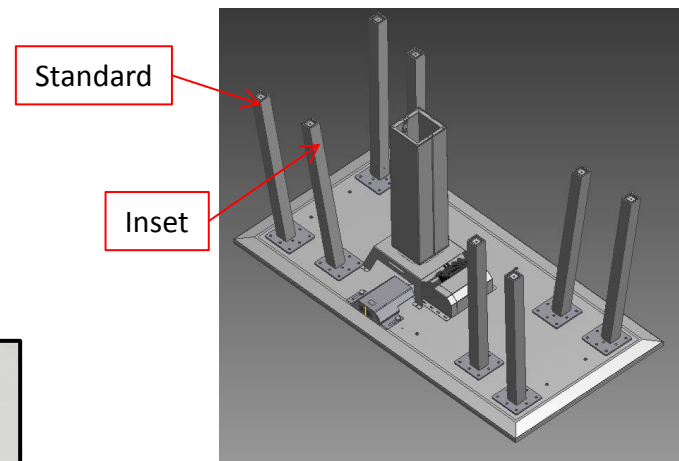
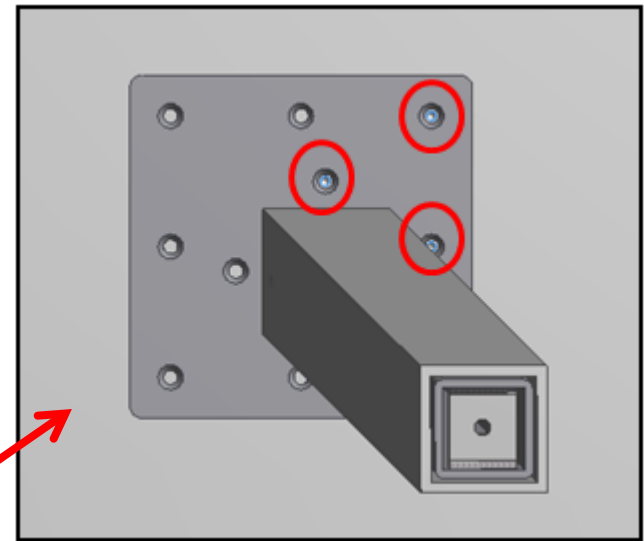
Attach Legs (Post Leg)

- Once the Credenza is fully assembled, start working on the top
- Gently place top upside down on a soft, padded surface
- **Post Leg:** check with the customer to see if the legs are supposed to be in the standard or inset locations
 - Align the holes in the top plate of the leg to the two predrilled holes in the table top
 - Make sure the legs are angled toward the outside corners of the table
 - Secure with screws

**NOTE: Do not overtighten
The screws as this may
damage the worksurface**



HW0741



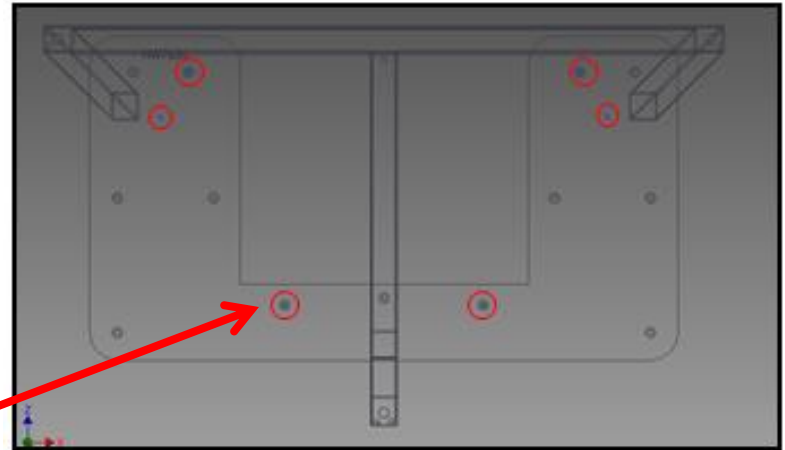
Step 2

Attach Legs (Open Frame Leg)

- Once the Credenza is fully assembled, start working on the top
- Gently place top upside down on a soft, padded surface
- **Open Frame Base**
 - Align the predrilled holes in the top with the holes in the base and secure with screws



HW0741

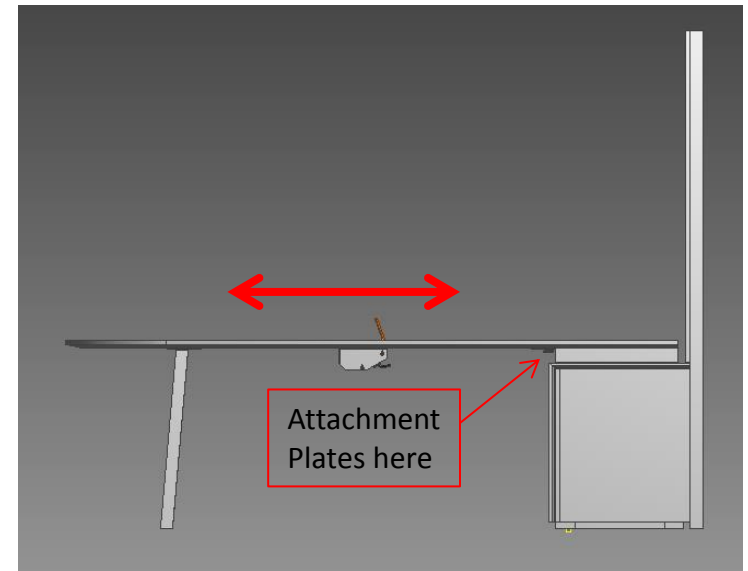
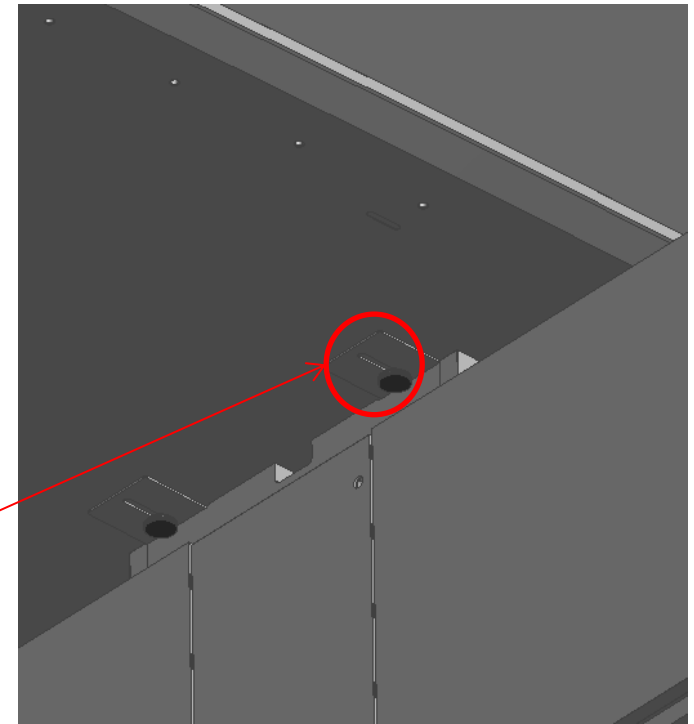


**NOTE: Do not overtighten
The screws as this may
damage the worksurface**

Step 3

Attach Credenza Base

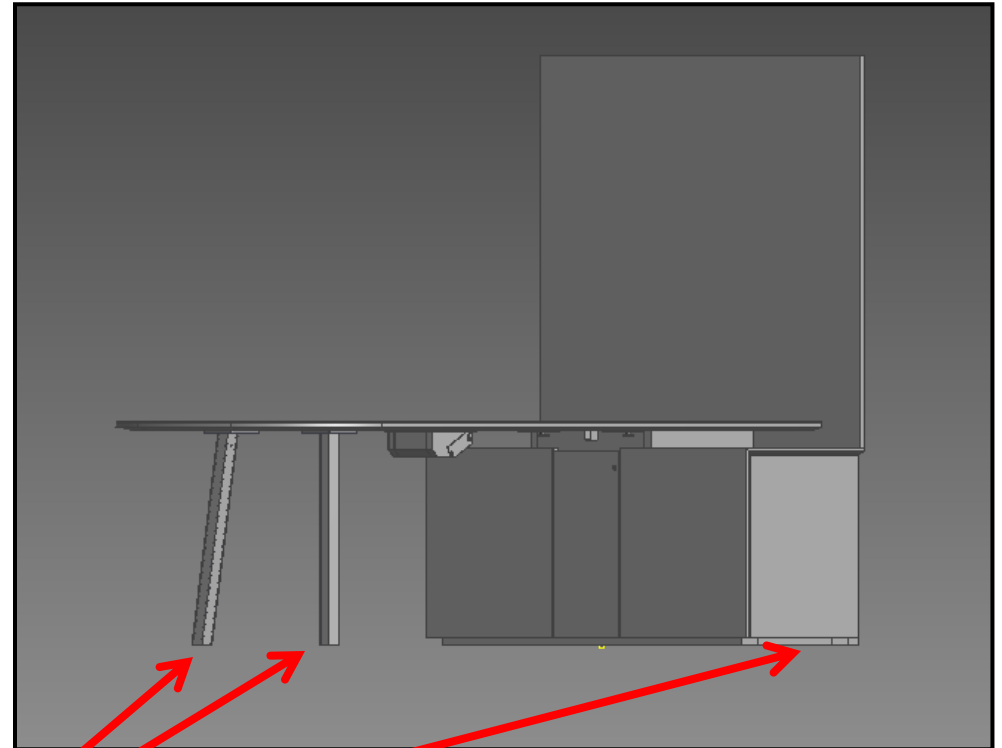
- **Credenza Base:**
 - Set top on credenza and align the predrilled holes in the top with the slots in the plates on the credenza
 - Insert the adjustment knobs and adjust the top location to the customer's preference



Step 4

Level Table

- Place level on top, running along the length of the top
- Check for levelness and extend or retract glides as needed
- Repeat the above procedure along the width of the top
- Double check both directions

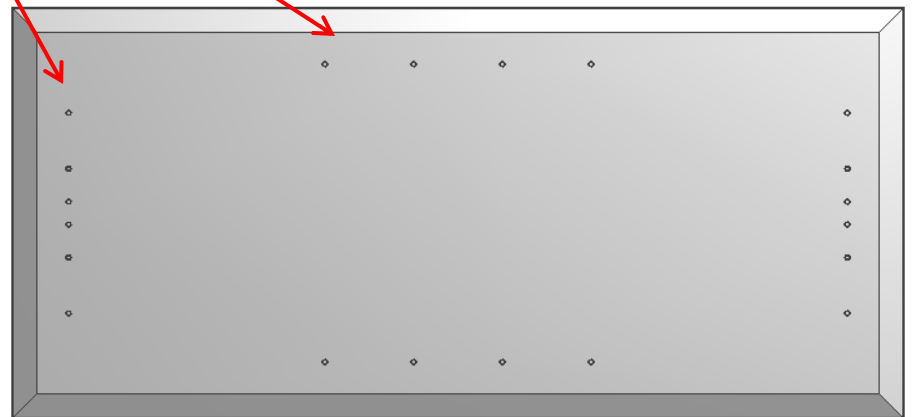
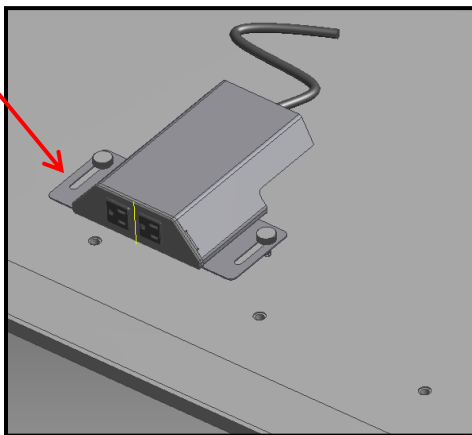
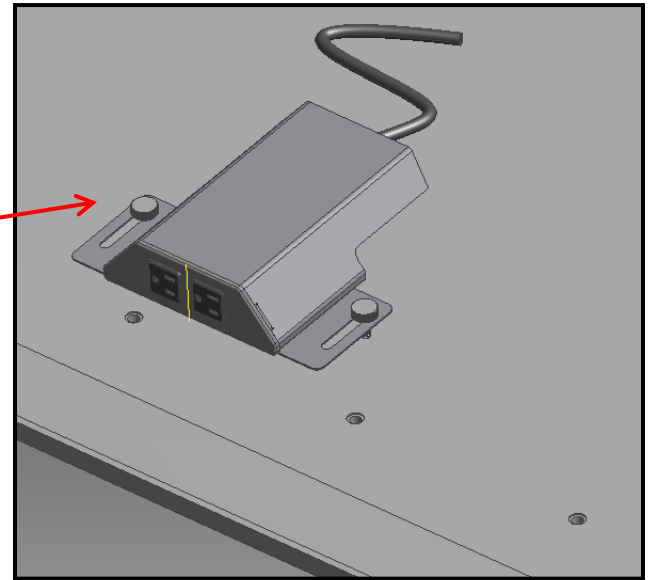


NOTE: Glides are located at these locations for adjustment

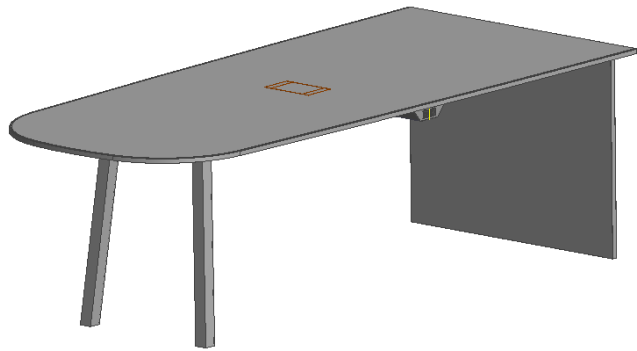
Step 5

Installing Power Rail (if applicable)

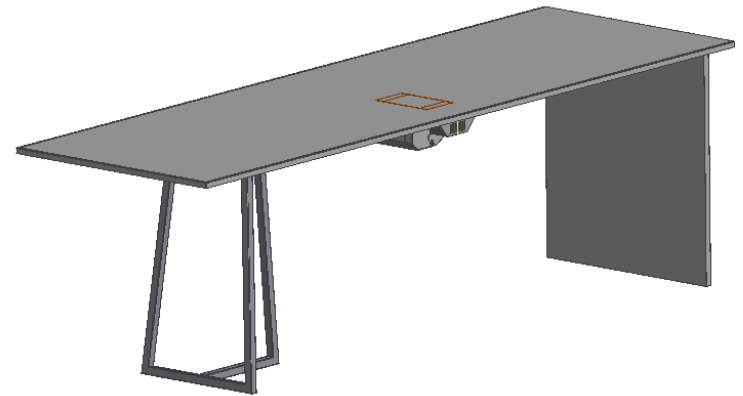
- Insert thumbscrews into predrilled holes on the bottom of the table top
- Part can be attached at ends or along the length of the table.
- Additionally the power rail can be adjusted toward or away from the edge of the table



Slab Base - Post Leg/Open Leg Setup



**Slab Base with Post
Leg**

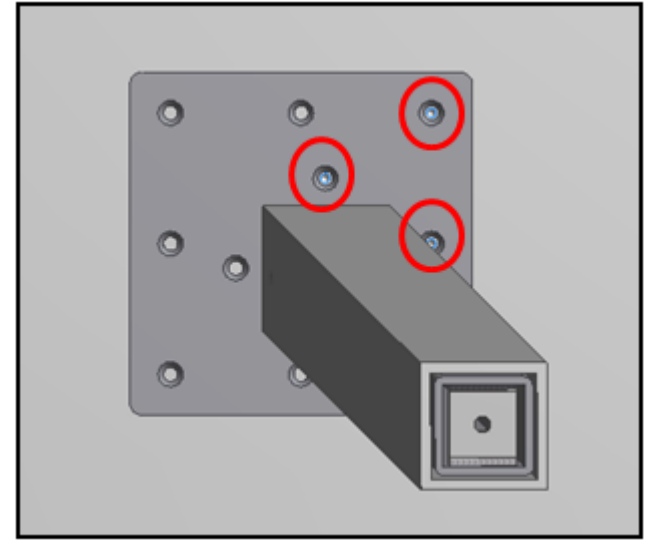


**Slab Base with Open
Frame Leg**

Step 1

Attach Legs (Post Leg)

- Gently place top upside down on a soft, padded surface
- **Post Leg:** check with the customer to see if the legs are supposed to be in the standard or inset locations
 - Align the holes in the top plate of the leg to the two predrilled holes in the table top
 - Make sure the legs are angled toward the outside corners of the table
 - Secure with screws

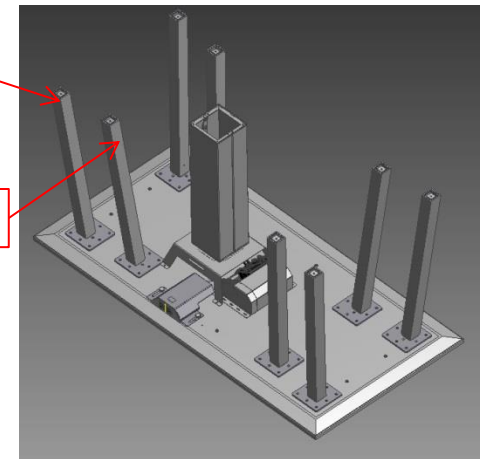


HW0741

**NOTE: Do not overtighten
The screws as this may
damage the worksurface**

Standard

Inset



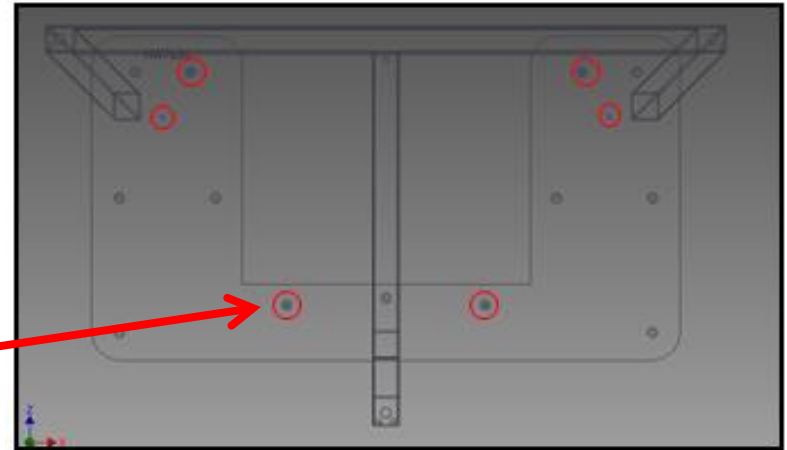
Step 1

Attach Legs (Open Frame Leg)

- Gently place top upside down on a soft, padded surface
- **Open Frame Base**
 - Align the predrilled holes in the top with the holes in the base and secure with screws



HW0741

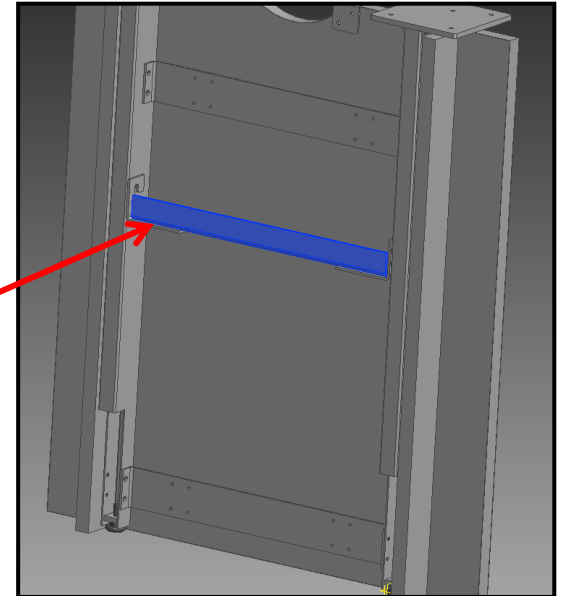
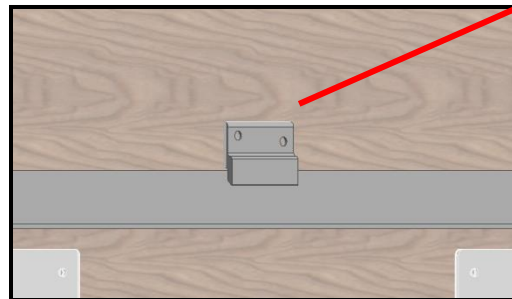
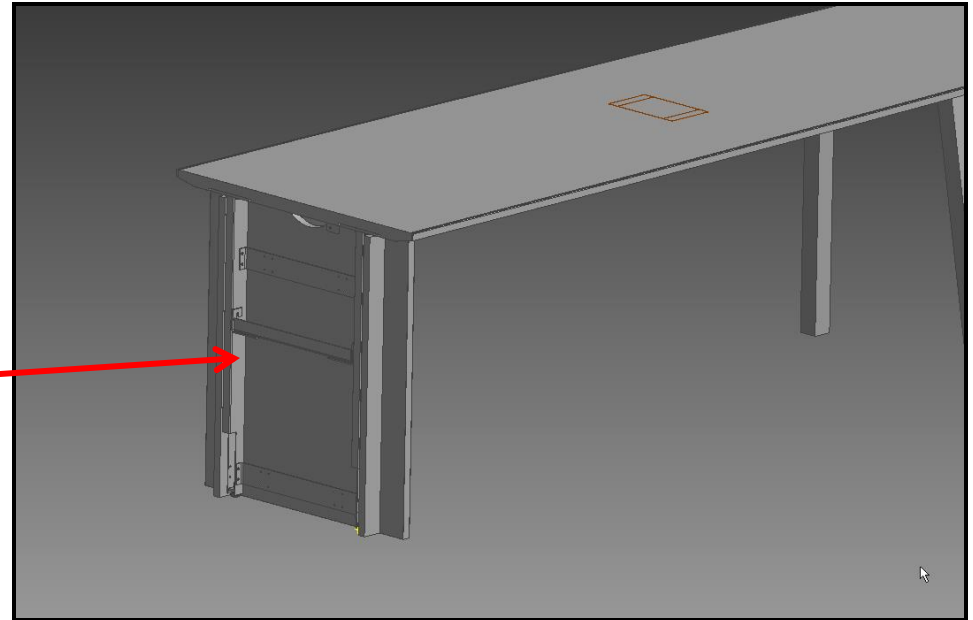


**NOTE: Do not overtighten
The screws as this may
damage the worksurface**

Step 2a

Attaching Slab Base

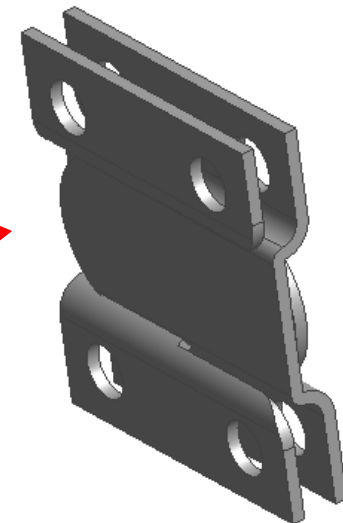
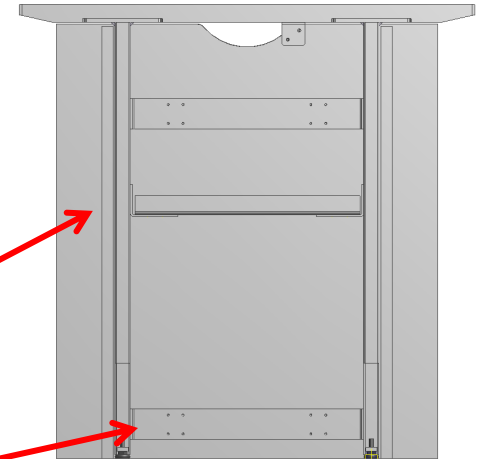
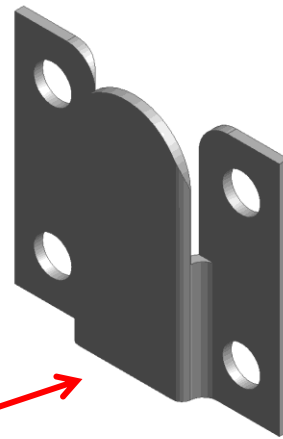
- Slab base is open on one face, which should be against a wall
- Electrical wires should be run from the worksurface, between the base and the wall, to the ground
- The Slab Base can now be attached to the wall using z-brackets



Step 2b

Attaching Slab Base (continued)

- The removable panel on the slab base is attached using the hardware at right
- One of these individual parts is attached on the steel frame at 4 locations.
- A second metal clip is attached to the panel.
- When the panel is attached correctly, the two parts should engage as shown.



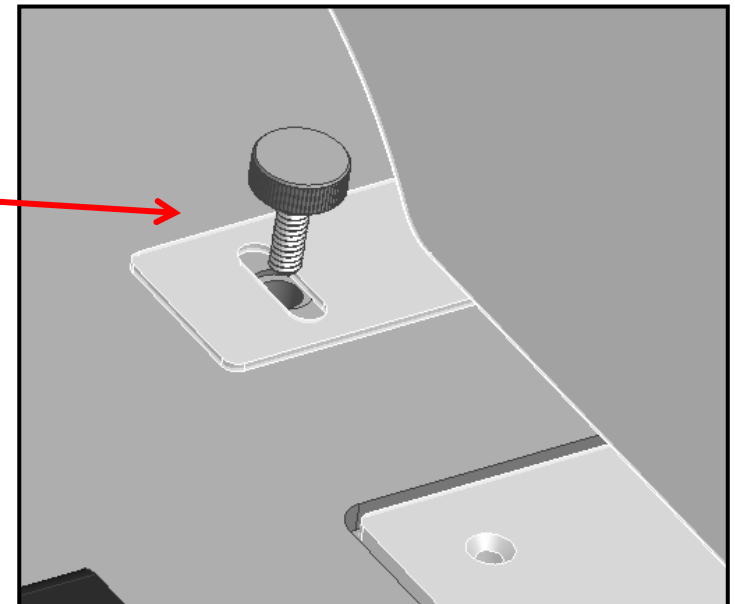
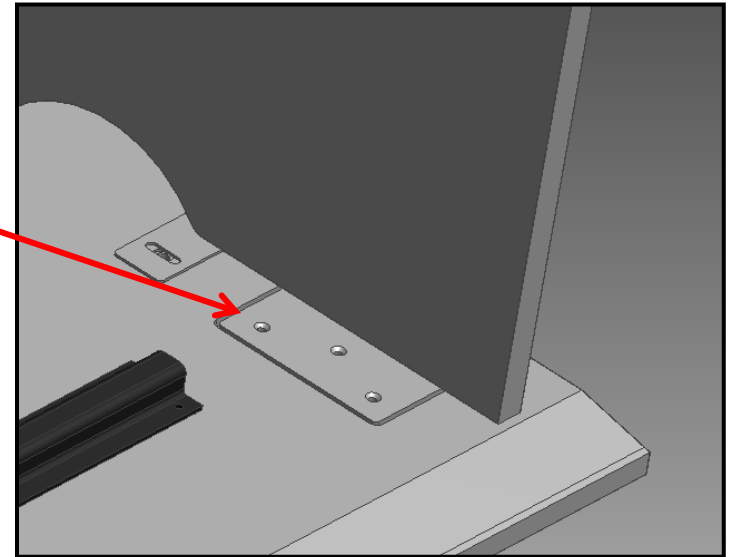
Step 2c

Slab Base (Continued)

- Once secured to the wall, insert the worksurface attachment plate into the cutout and attach it with screws
- When all electrical routing is complete, secure L bracket to top with thumbscrew



HW0747

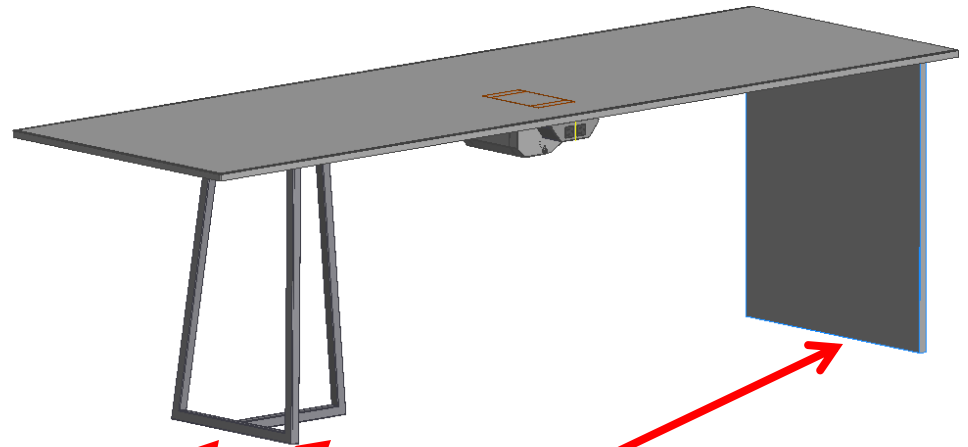


**NOTE: Do not overtighten
The screws as this may
damage the worksurface**

Step 3

Level Table

- Place level on top, running along the length of the top
- Check for levelness and extend or retract glides as needed
- Repeat the above procedure along the width of the top
- Double check both directions

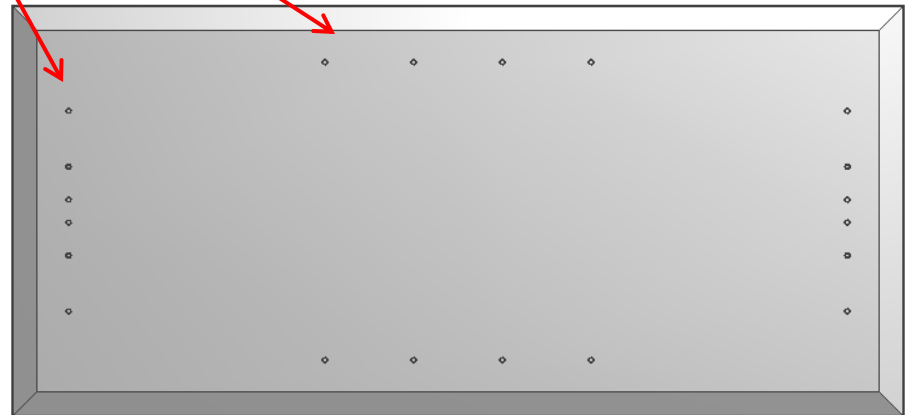
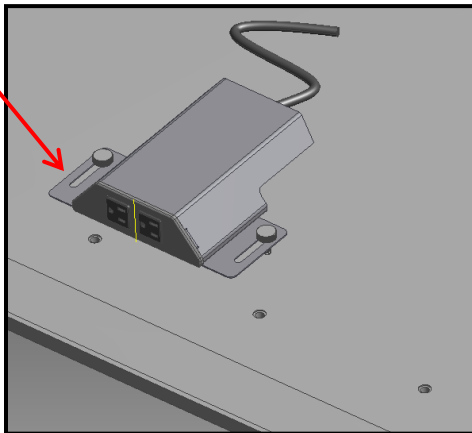
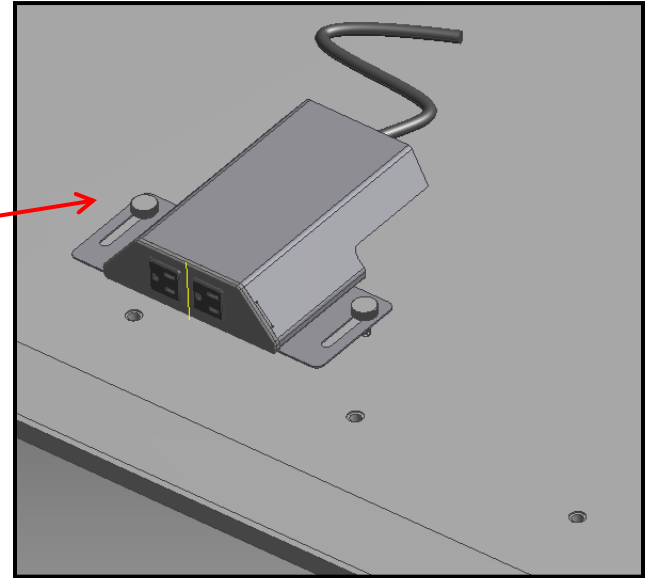


NOTE: Glides are located at these locations for adjustment

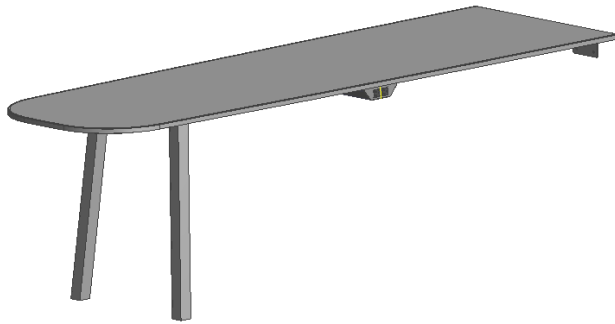
Step 4

Installing Power Rail (if applicable)

- Insert thumbscrews into predrilled holes on the bottom of the table top
- Part can be attached at ends or along the length of the table.
- Additionally the power rail can be adjusted toward or away from the edge of the table



Wall Mount Attachment - Post Leg/Open Leg Setup



Slab Base with Post Leg

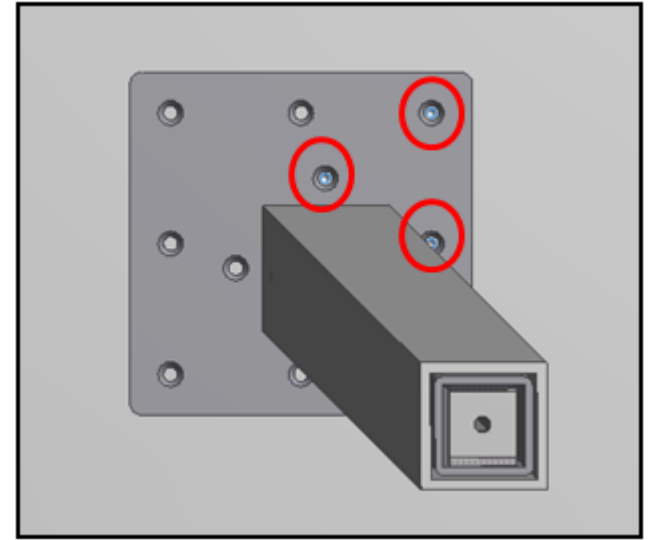


Wall Mount Attachment with Open Frame Leg

Step 1

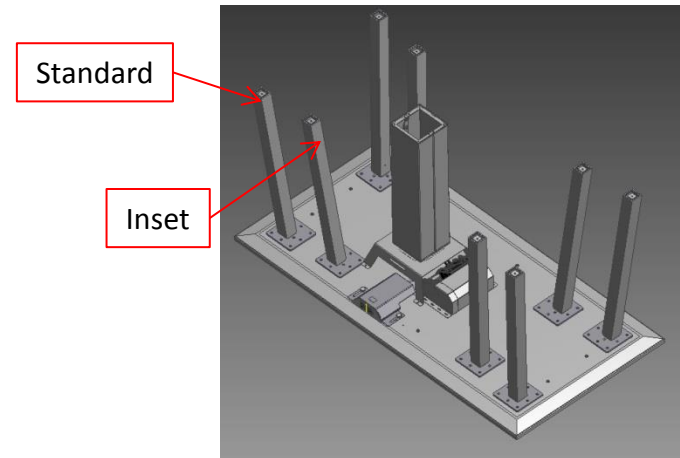
Attach Legs (Post Leg)

- Gently place top upside down on a soft, padded surface
- **Post Leg:** check with the customer to see if the legs are supposed to be in the standard or inset locations
 - Align the holes in the top plate of the leg to the two predrilled holes in the table top
 - Make sure the legs are angled toward the outside corners of the table
 - Secure with screws



HW0741

**NOTE: Do not overtighten
The screws as this may
damage the worksurface**



Step 1

Attach Legs (Open Frame Leg)

- Gently place top upside down on a soft, padded surface
- **Open Frame Base**
 - Align the predrilled holes in the top with the holes in the base and secure with screws



HW0741

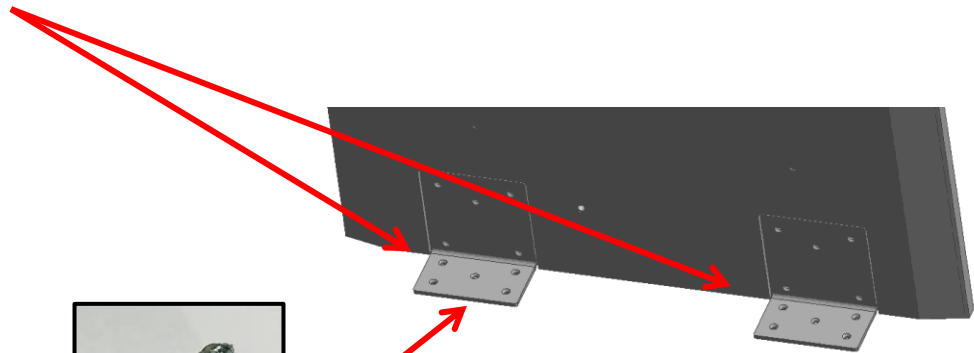


**NOTE: Do not overtighten
The screws as this may
damage the worksurface**

Step 2

Attaching to Wall

- The open leg frame or post leg should be attached at one end of the table
- Using the provided brackets, secure the opposite end of the table directly into the wall
- Ensure that the fasteners are secured into a stiff material, such as a stud.

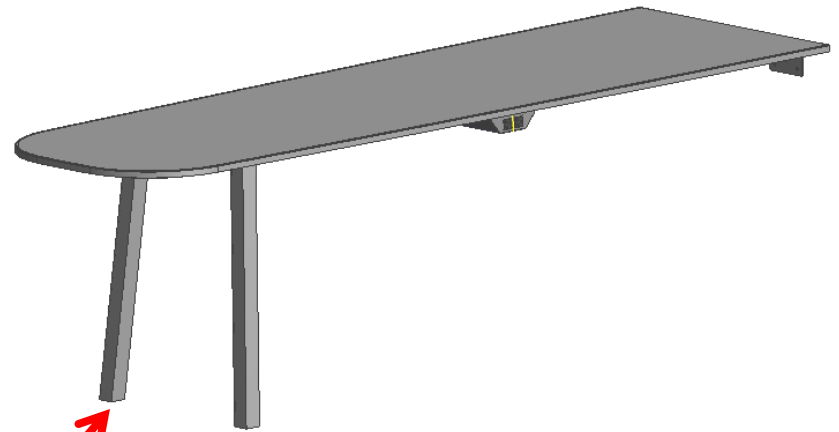


HW0741

Step 3

Level Table

- Place level on top, running along the length of the top
- Check for levelness and extend or retract glides as needed
- Repeat the above procedure along the width of the top
- Double check both directions



NOTE: Glides are located at these locations for adjustment

Step 4

Installing Power Rail (if applicable)

- Insert thumbscrews into predrilled holes on the bottom of the table top
- Part can be attached at ends or along the length of the table.
- Additionally the power rail can be adjusted toward or away from the edge of the table

